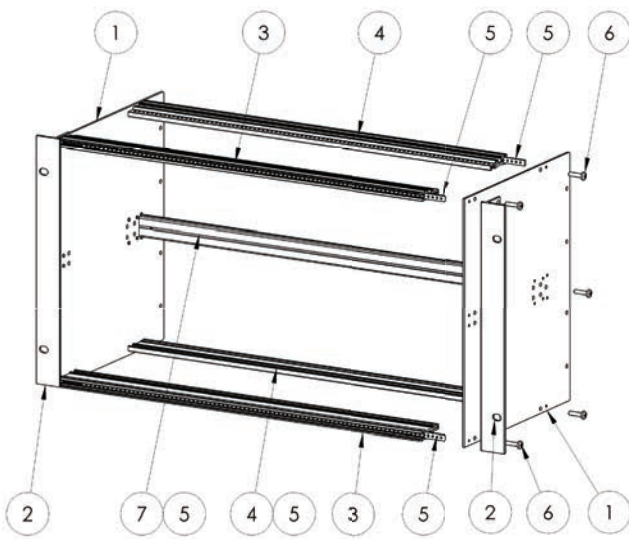
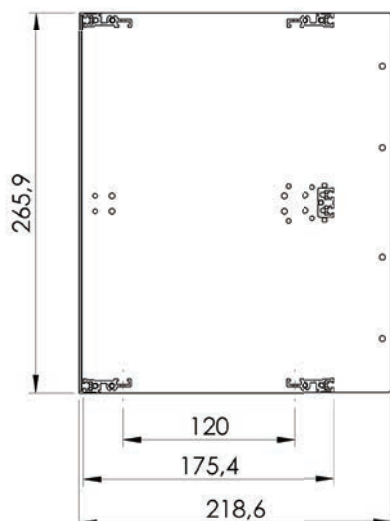


Subrack CPCI LIGHT 6U 84TE for PCB deep 160



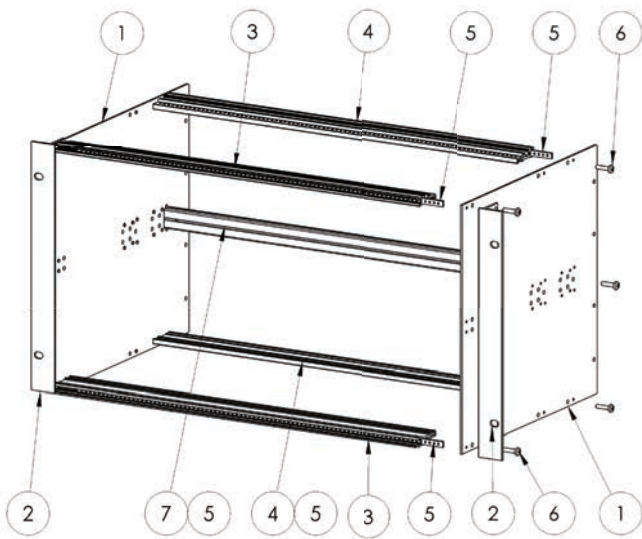
B.O.M.			
Pos.	P/N	Description	Q.ty
1	120.000/303 00	Side panel 6U	2
2	223.501/606 01	Lateral bracket 6U	2
3	221.199/085C 01	Front crosspiece Light 85TE	2
4	221.200/085C 00	Back rear crosspiece Light 85TE	2
5	234.013/085 00	Fastening bar M2,5 85TE	6
6	444.004	Thread forming screw M4x16	10
7	221.195/085C 00	Back mezzanine crosspiece 85TE	1

P/N: 021.502/694 01



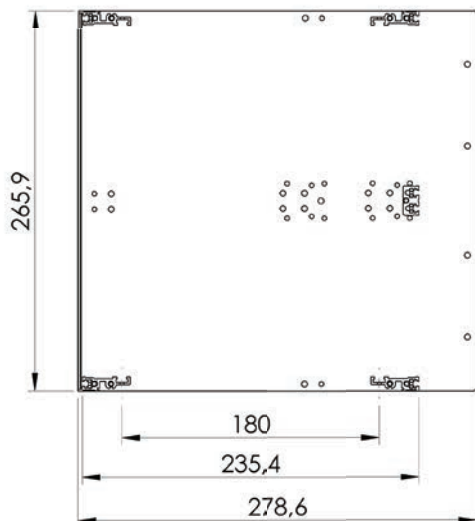
Note: Product is provided in assembly kit.

Subrack CPCI LIGHT 6U 84TE for PCB deep 220



B.O.M.			
Pos.	P/N	Description	Q.ty
1	120.000/304 00	Side panel 6U	2
2	223.501/606 01	Lateral bracket 6U	2
3	221.199/085C 01	Front crosspiece Light 85TE	2
4	221.200/085C 00	Back rear crosspiece Light 85TE	2
5	234.013/085 00	Fastening bar M2,5 85TE	6
6	444.004	Thread forming screw M4x16	10
7	221.195/085C 00	Back mezzanine crosspiece 85TE	1

P/N: 021.502/695 01



Note: Product is provided in assembly kit.



via Bernini, 18 - 20865 - Usmate Velate (MB) - Italy
ph. +39 039 618231 - fax +39 039 6013208
info@ompmechtron.com - www.ompmechtron.com