



# General Catalogue

[www.ompmechtron.com](http://www.ompmechtron.com)



# General Catalogue

# INDEX

<b>Subracks</b> .....	<b>5</b>
<b>Racks</b> .....	<b>95</b>
19" Racks Cabinets .....	<b>96</b>
ETSI Racks Cabinets.....	<b>103</b>

# OMP Mechtron

## Your solution provider worldwide

**USMATE-VELATE (MI), ITALY / HEADQUARTERS**

**PARIS, FRANCE / SALES OFFICES**

**MUENCHEN, GERMANY / SALES OFFICES**

**SHANGHAI, CHINA / MANUFACTURING PLANT**

**GUADALAJARA, MEXICO / MANUFACTURING PLANT**

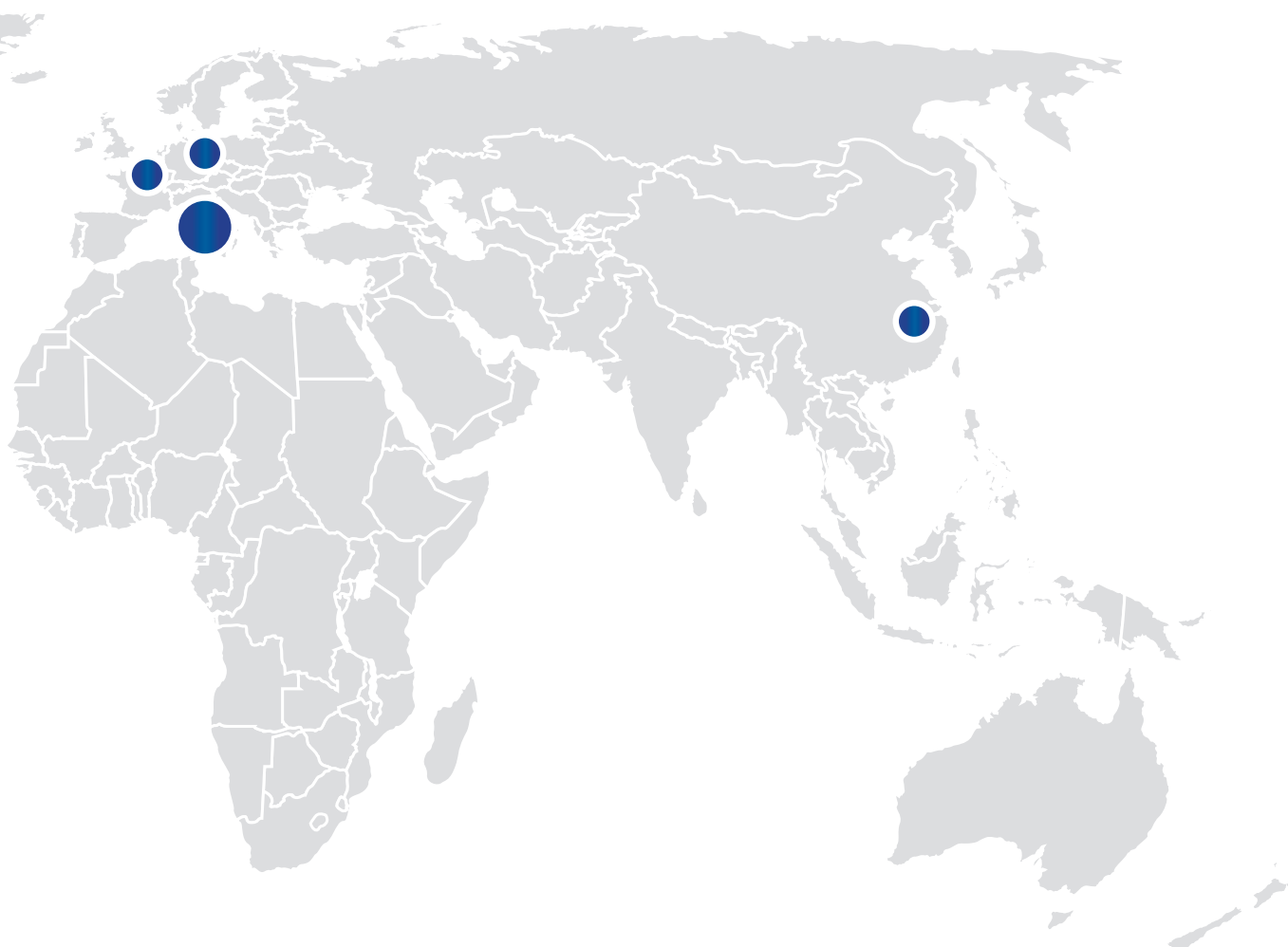
**COLUMBIA - SC, USA / MANUFACTURING PLANT**



OMP Mechtron S.p.A. is one of the main European Manufacturers of Mechatronic, and specializes in the production of 19" Rack and ETSI Cabinets, Modular 19" Subracks as well as CPCI and metric Subracks.

OMP employes people in four plants in Italy, China, Mexico and the USA as well as in its sales offices around the world.

OMP Mechtron S.p.A. is present in various industrial sectors and markets such as the railways, telecommunications, military, automation, energy and electronics.



# CERTIFICATE

Omp Mechtron pays great attention in quality; we have been certified for several years in order to offer a solid guarantee to our customers.

We fulfil UNI EN ISO 9001:2008 standards and have undergone the preliminary analysis to be recognized the environmental ISO 14000.

Being environmentally-concerned, we decided to adopt RoHs directive in 2005, in order to preserve the environment. Miniature versions of these certifications, available on request, are shown here below.



SUBRACKS

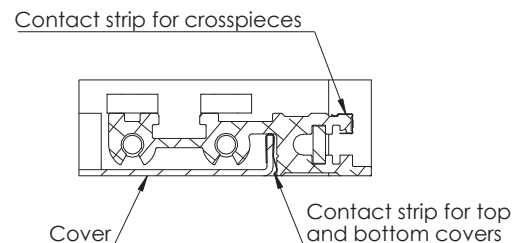
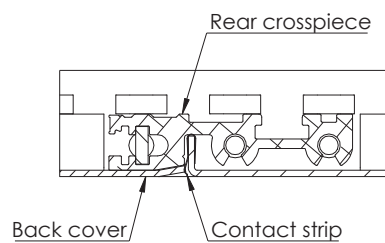
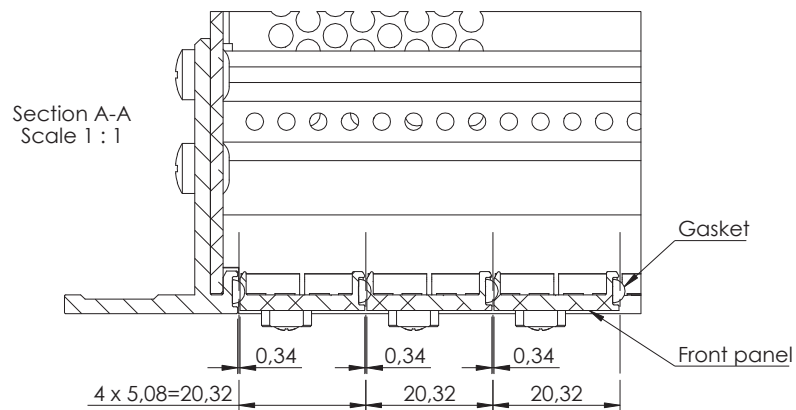
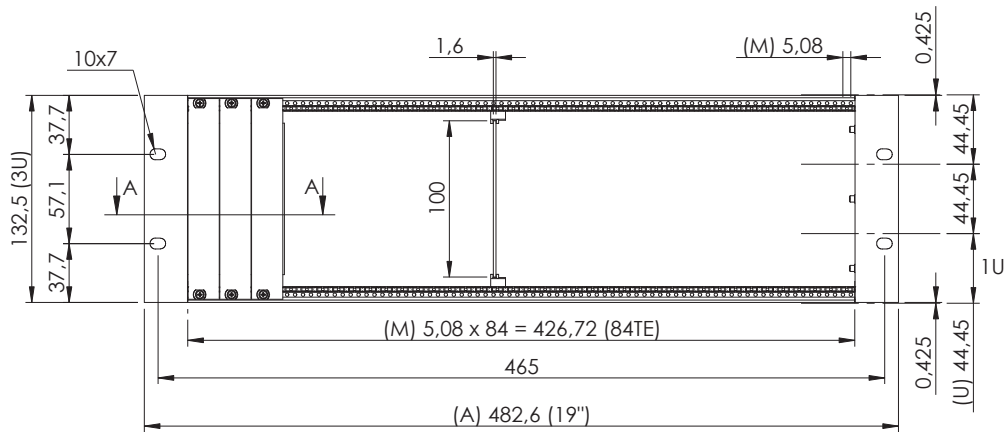
## DIN 41494 and IEC 60 297 - compliant dimensions

### Dimensions

A = 482,6 mm (19")

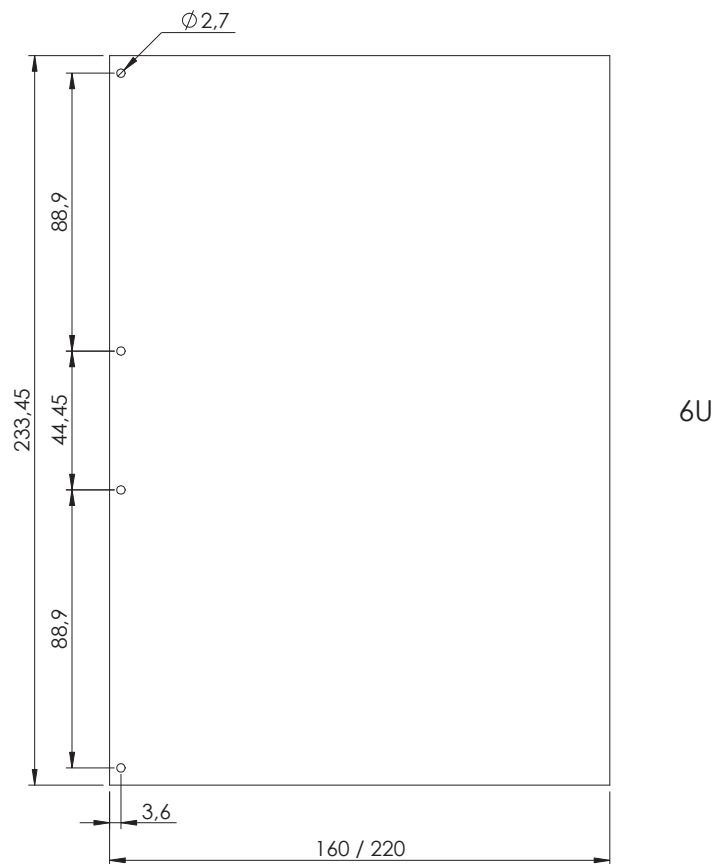
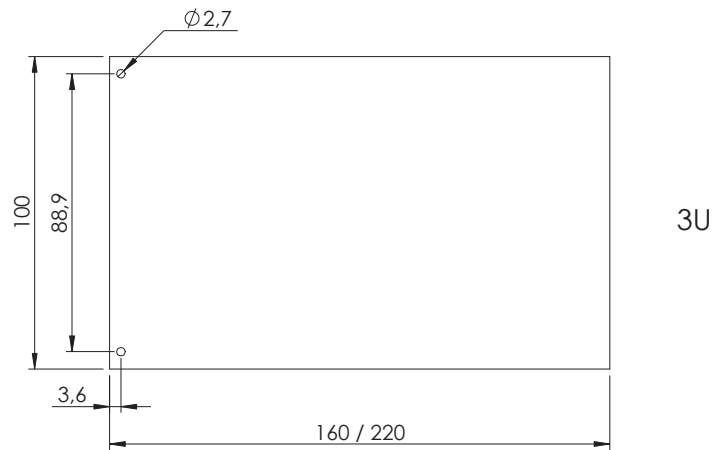
U = 44,45 mm

M = 5,08 mm

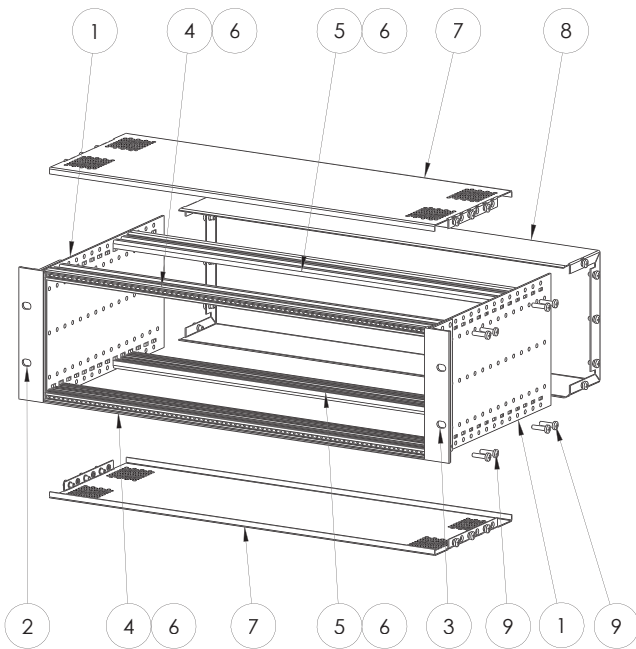
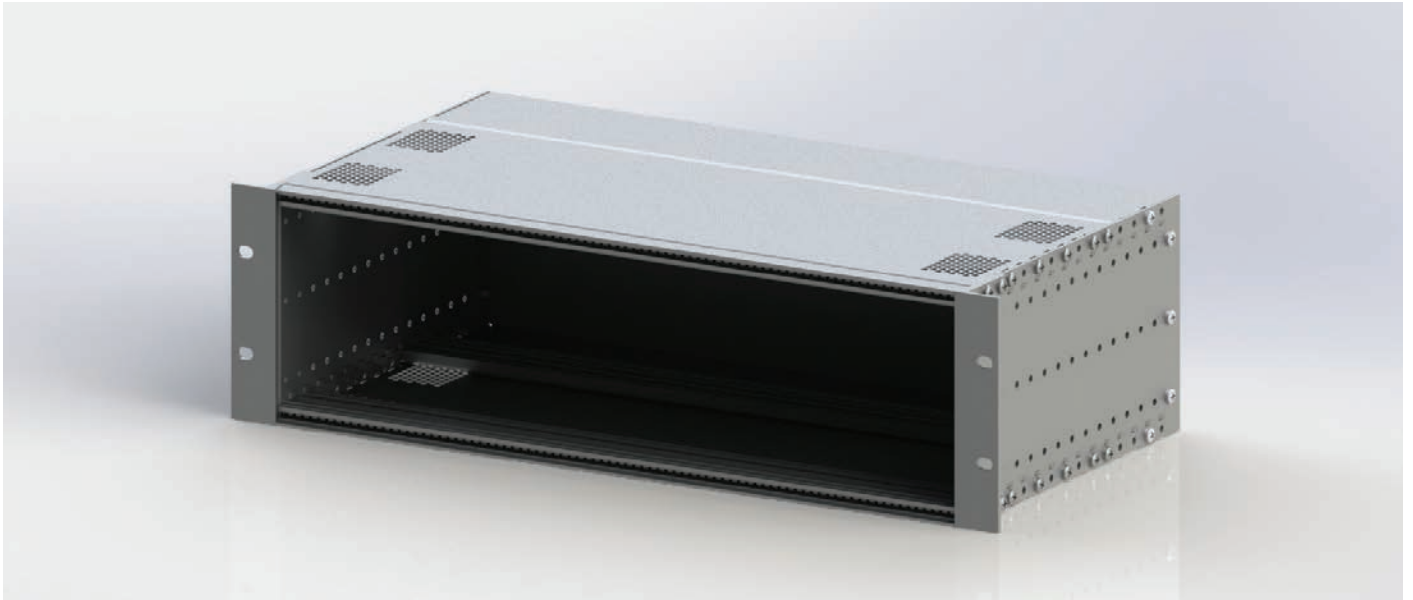


## Dimensions of Europa series printed circuits

Notes: Different dimensions need customized mechanical cases/subracks.

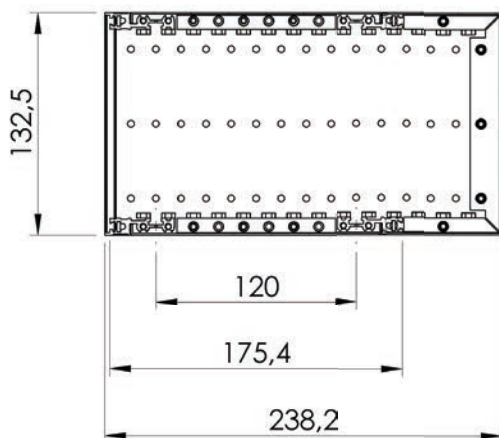


## Subrack CPCI 3U 84TE for PCB deep 160



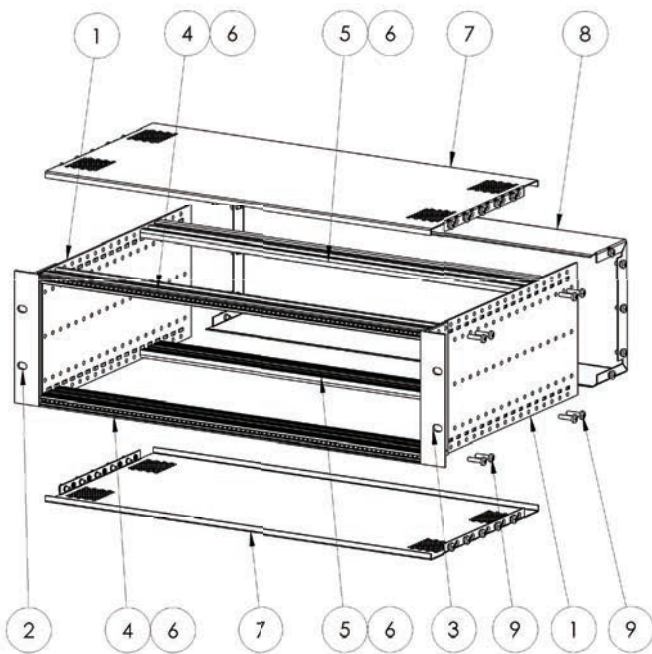
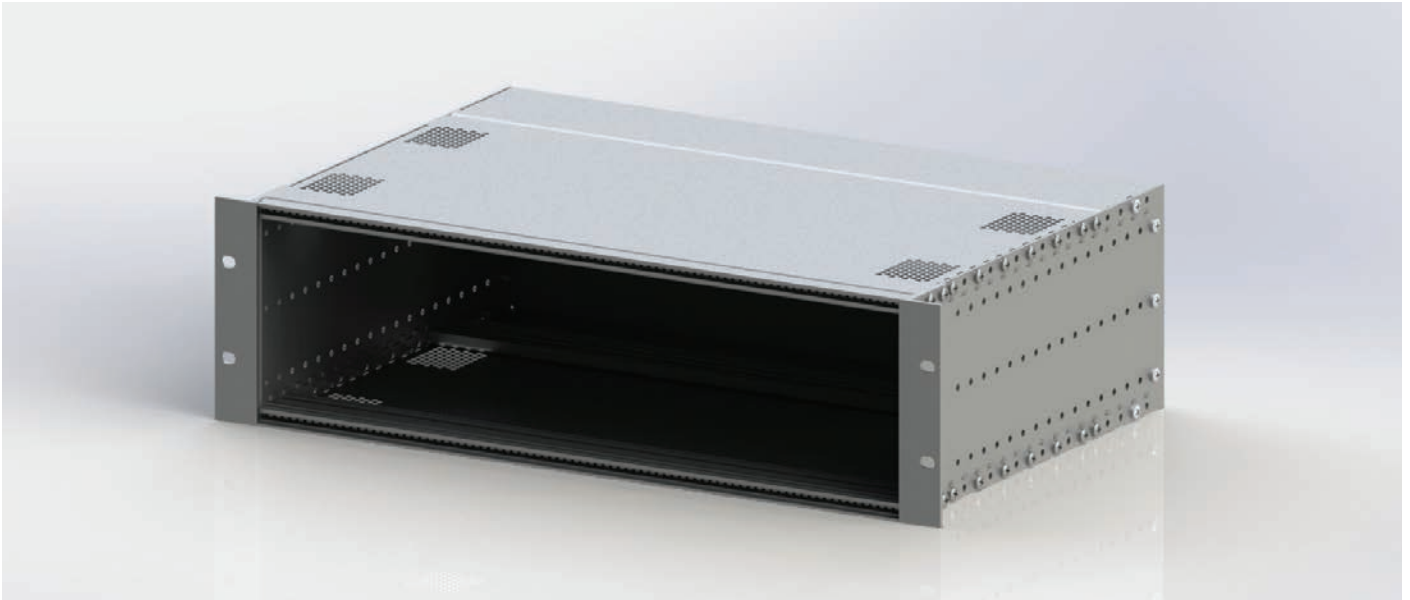
B.O.M.			
Pos.	P/N	Description	Q.ty
1	120.001/032 00	Side panel 3U	2
2	223.501/303 01	Lateral bracket for gasket 3U	1
3	223.501/003 01	Lateral bracket 3U	1
4	221.192/085C 01	STD front crosspiece 85TE	2
5	221.193/085C 00	Back rear crosspiece 85TE	2
6	234.013/085 00	Fastening bar M2,5 85TE	4
7	081.503/122 00	Top / Bottom cover kit Ø4	2
8	081.503/832 00	Cover side panels kit 3U 85TE	1
9	444.004	Thread forming screw M4X16	16

**P/N: 021.502/397 00**



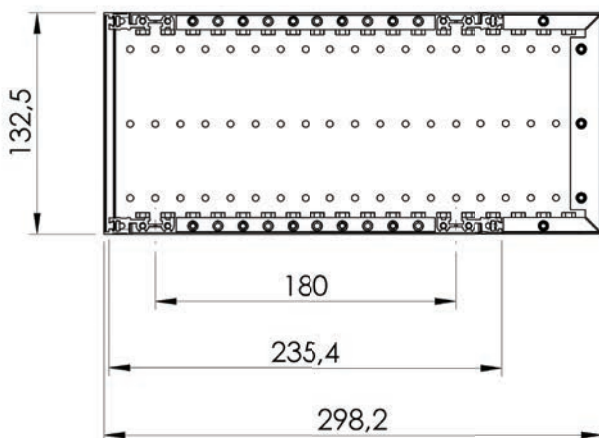
Note: Product is provided in assembly kit.

## Subrack CPCI 3U 84TE for PCB deep 220



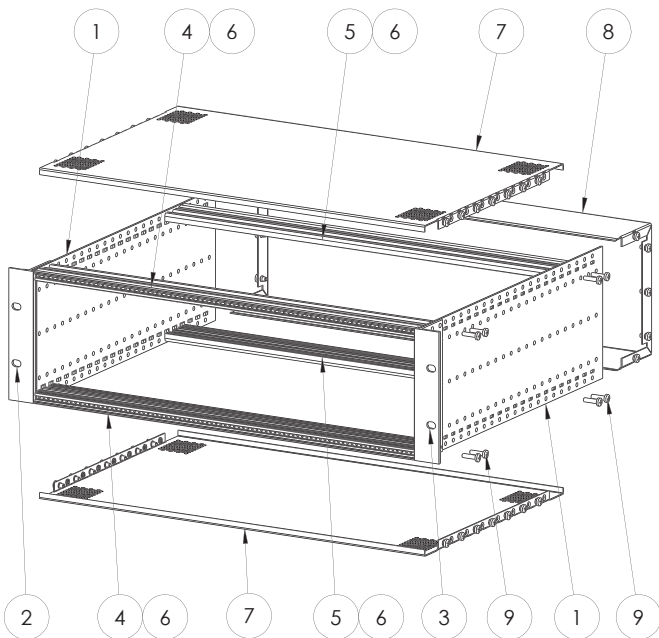
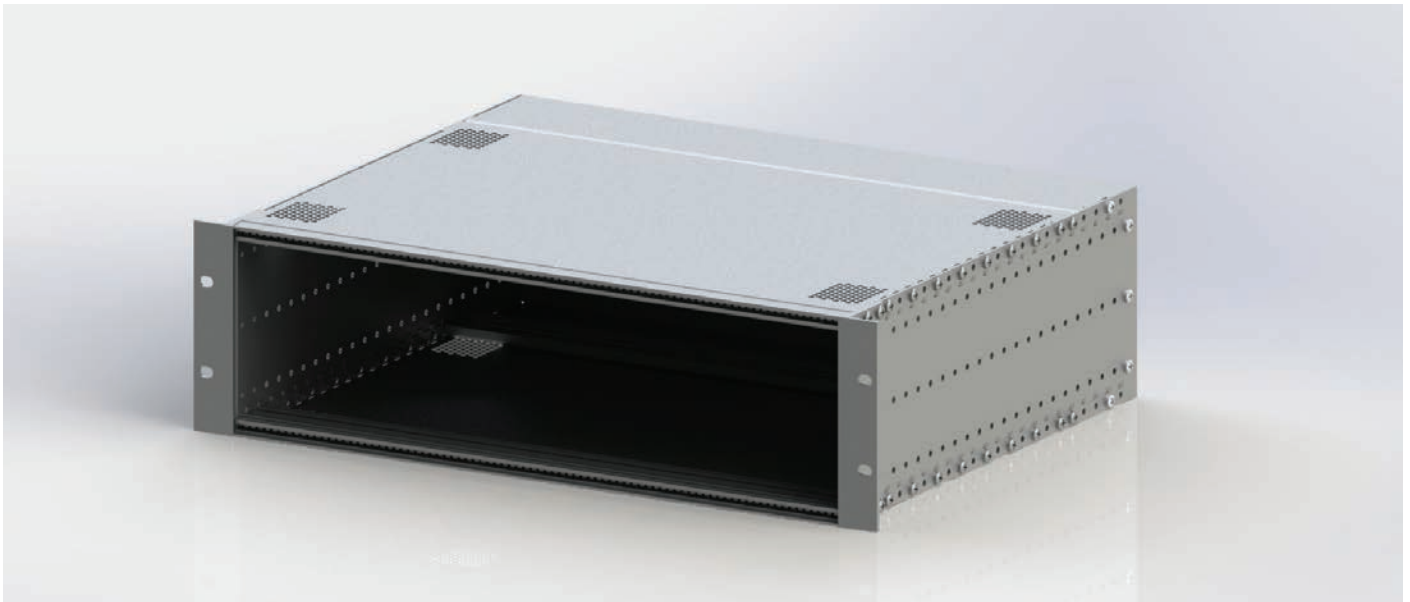
B.O.M.			
Pos.	P/N	Description	Q.ty
1	120.001/033 00	Side panel 3U	2
2	223.501/303 01	Lateral bracket for gasket 3U	1
3	223.501/003 01	Lateral bracket 3U	1
4	221.192/085C 01	STD front crosspiece 85TE	2
5	221.193/085C 00	Back rear crosspiece 85TE	2
6	234.013/085 00	Fastening bar M2,5 85TE	4
7	081.503/123 00	Top / Bottom cover kit Ø4	2
8	081.503/832 00	Cover side panels kit 3U 85TE	1
9	444.004	Thread forming screw M4X16	16

**P/N:** 021.502/398 00



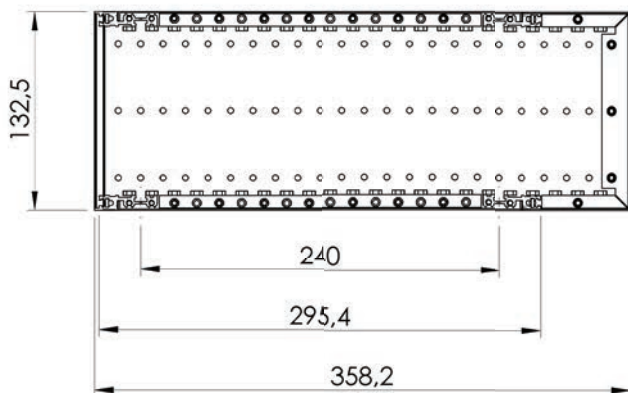
Note: Product is provided in assembly kit.

## Subrack CPCI 3U 84TE for PCB deep 280



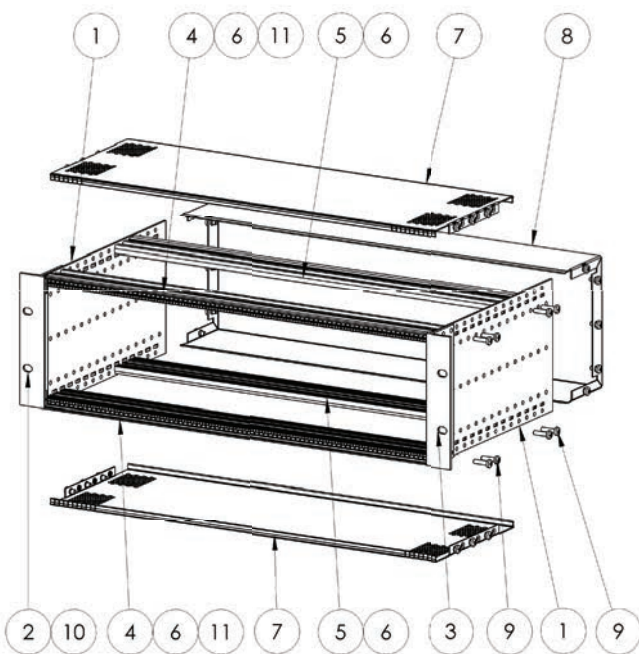
B.O.M.			
Pos.	P/N	Description	Q.ty
1	120.001/034 00	Side panel 3U	2
2	223.501/303 01	Lateral bracket for gasket 3U	1
3	223.501/003 01	Lateral bracket 3U	1
4	221.192/085C 01	STD front crosspiece 85TE	2
5	221.193/085C 00	Back rear crosspiece 85TE	2
6	234.013/085 00	Fastening bar M2,5 85TE	4
7	081.503/124 00	Top / Bottom cover kit Ø4	2
8	081.503/832 00	Cover side panels kit 3U 85TE	1
9	444.004	Thread forming screw M4X16	16

**P/N: 021.502/399 00**



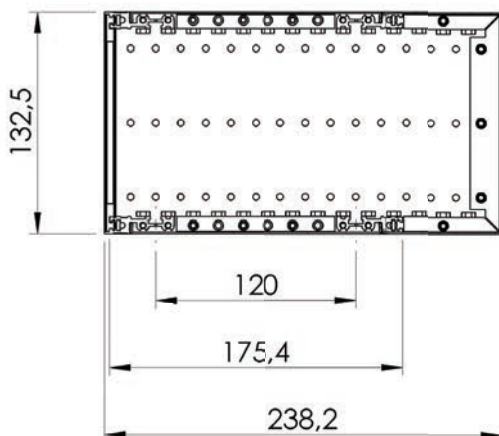
**Note:** Product is provided in assembly kit.

## Subrack CPCI 3U 84TE for PCB deep 160 EMI



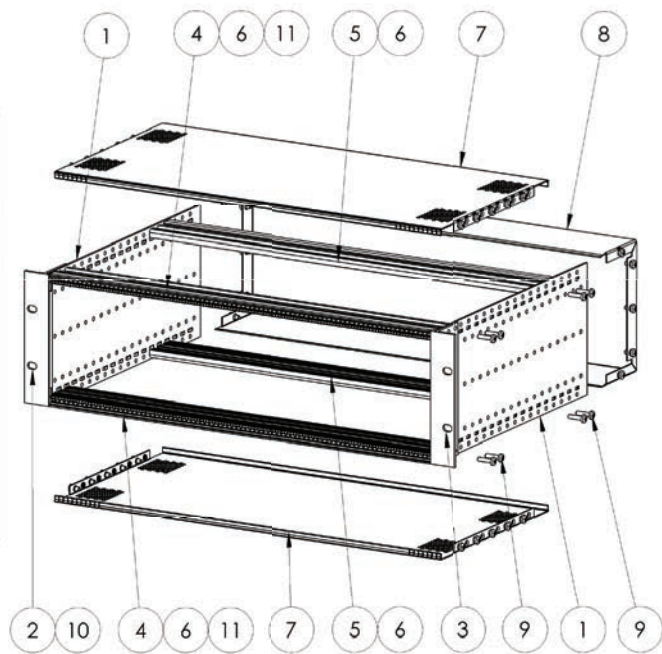
B.O.M.			
Pos.	P/N	Description	Q.ty
1	120.001/032 00	Side panel 3U	2
2	223.501/303 01	Lateral bracket for gasket 3U	1
3	223.501/003 01	Lateral bracket 3U	1
4	221.192/085C 01	STD front crosspiece 85TE	2
5	221.193/085C 00	Back rear crosspiece 85TE	2
6	234.013/085 00	Fastening bar M2,5 85TE	4
7	081.503/122 00	Top / Bottom cover kit Ø4	2
8	081.503/832 00	Cover side panels kit 3U 85TE	1
9	444.004	Thread forming screw M4X16	16
10	780.000/031 00	Foam gasket 3,8x2,3	1
11	634.110/016	Contact strip crosspieces	2

**P/N: 021.501/397 00**



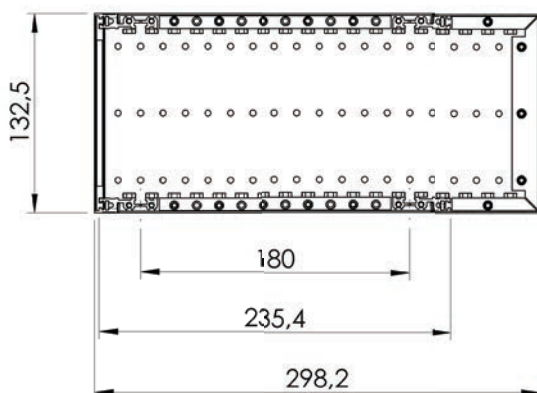
Note: Product is provided in assembly kit.

## Subrack CPCI 3U 84TE for PCB deep 220 EMI



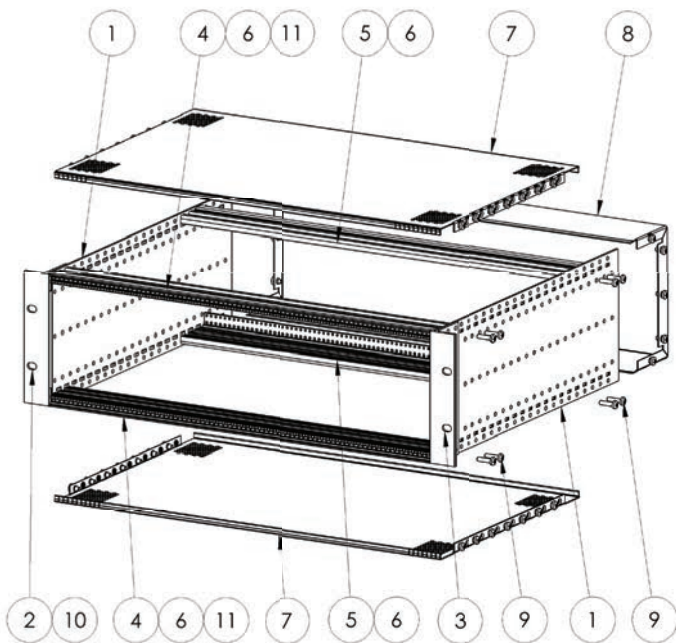
B.O.M.			
Pos.	P/N	Description	Q.ty
1	120.001/033 00	Side panel 3U	2
2	223.501/303 01	Lateral bracket for gasket 3U	1
3	223.501/003 01	Lateral bracket 3U	1
4	221.192/085C 01	STD front crosspiece 85TE	2
5	221.193/085C 00	Back rear crosspiece 85TE	2
6	234.013/085 00	Fastening bar M2,5 85TE	4
7	081.503/323 00	Top / Bottom cover kit Ø4	2
8	081.503/832 00	Cover side panels kit 3U 85TE	1
9	444.004	Thread forming screw M4X16	16
10	780.000/031 00	Foam gasket 3,8x2,3	1
11	634.110/016	Contact strip crosspieces	2

**P/N: 021.501/398 00**



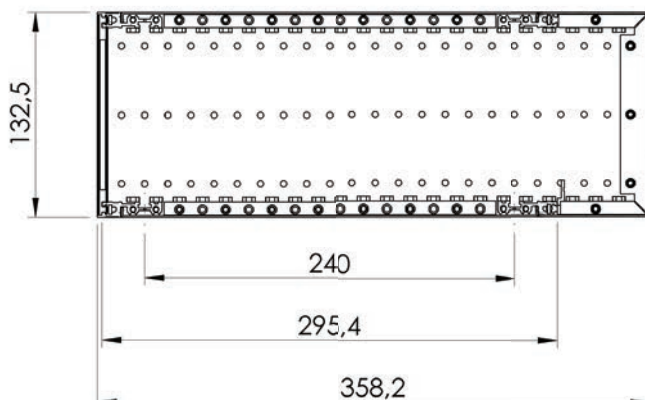
**Note:** Product is provided in assembly kit.

## Subrack CPCI 3U 84TE for PCB deep 280 EMI



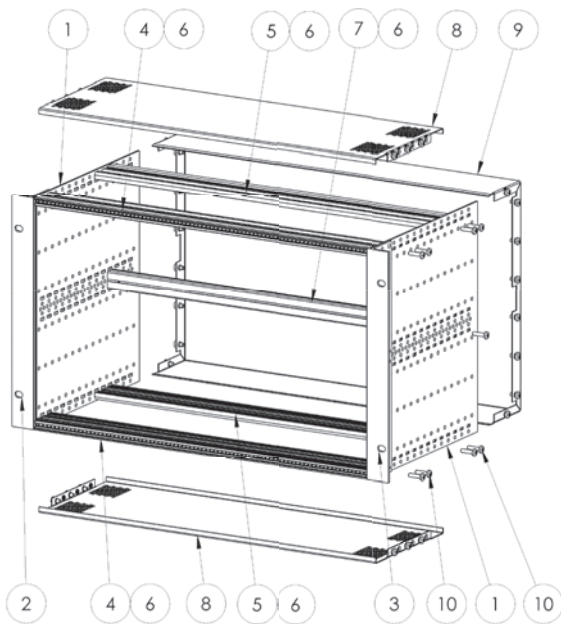
B.O.M.			
Pos.	P/N	Description	Q.ty
1	120.001/034 00	Side panel 3U	2
2	223.501/303 01	Lateral bracket for gasket 3U	1
3	223.501/003 01	Lateral bracket 3U	1
4	221.192/085C 01	STD front crosspiece 85TE	2
5	221.193/085C 00	Back rear crosspiece 85TE	2
6	234.013/085 00	Fastening bar M2,5 85TE	4
7	081.503/324 00	Top / Bottom cover kit Ø4	2
8	081.503/832 00	Cover side panels kit 3U 85TE	1
9	444.004	Thread forming screw M4X16	16
10	780.000/031 00	Foam gasket 3,8x2,3	1
11	634.110/016	Contact strip crosspieces	2

**P/N: 021.501/399 00**



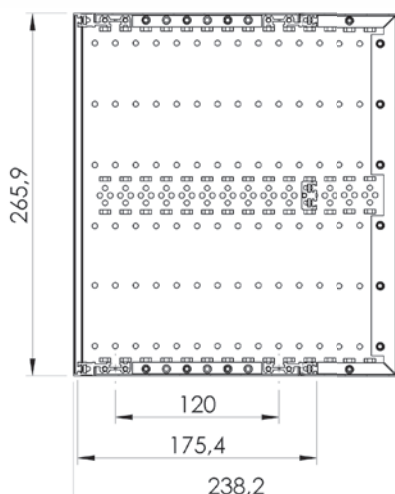
Note: Product is provided in assembly kit.

## Subrack CPCI 6U 84TE for PCB deep 160



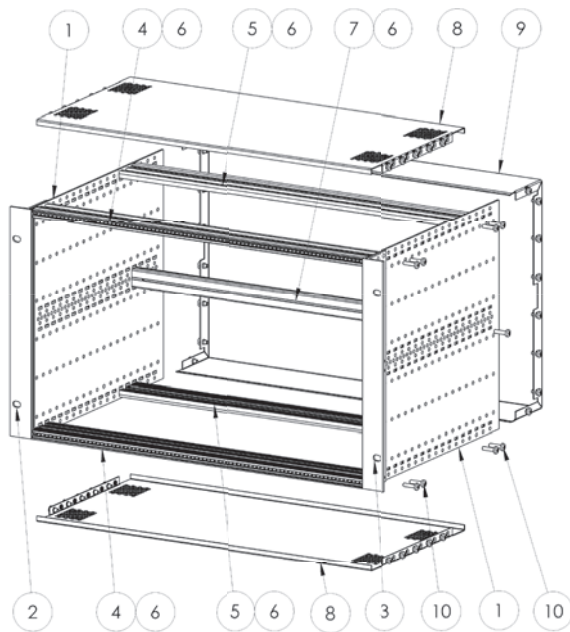
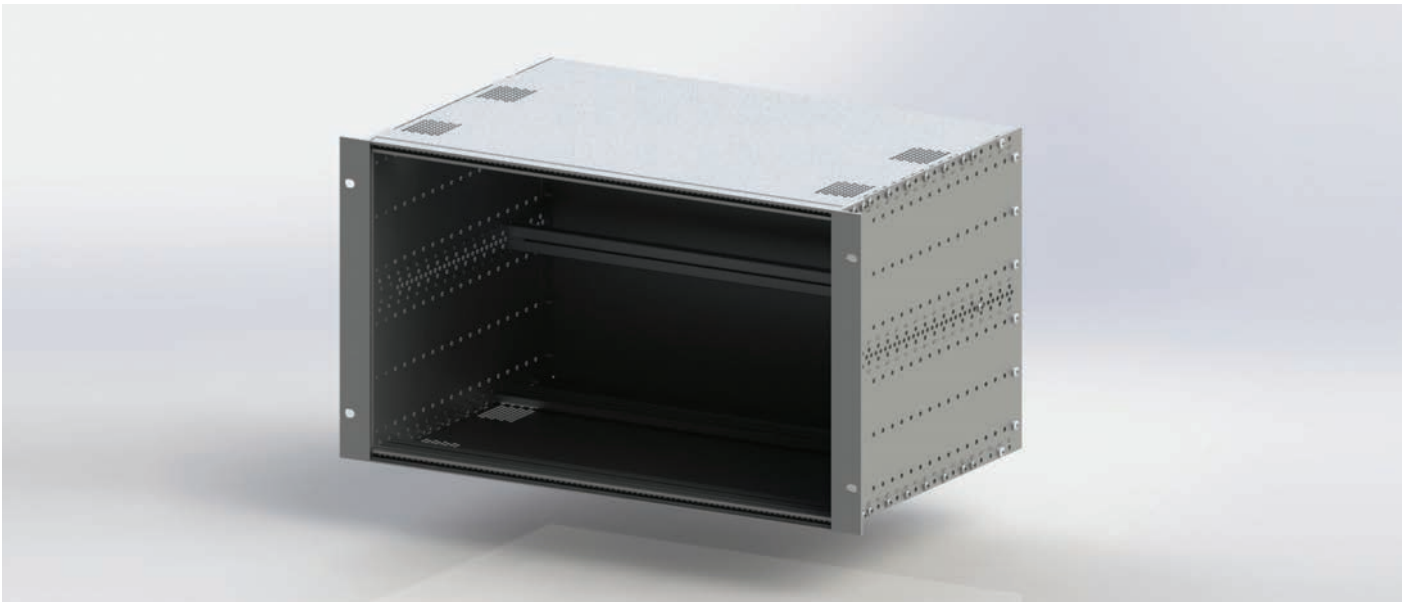
B.O.M.			
Pos.	P/N	Description	Q.ty
1	120.001/062 00	Side panel 6U	2
2	223.501/306 01	Lateral bracket for gasket 6U	1
3	223.501/006 01	Lateral bracket 6U	1
4	221.192/085C 01	STD front crosspiece 85TE	2
5	221.193/085C 00	Back rear crosspiece 85TE	2
6	234.013/085 00	Fastening bar M2,5 85TE	6
7	221.195/085C 00	Back mezzanine crosspiece 85TE	1
8	081.503/122 00	Top / Bottom cover kit Ø4	2
9	081.503/862 00	Cover side panels kit	1
10	444.004	Thread forming screw M4X16	18

**P/N: 021.502/697 00**



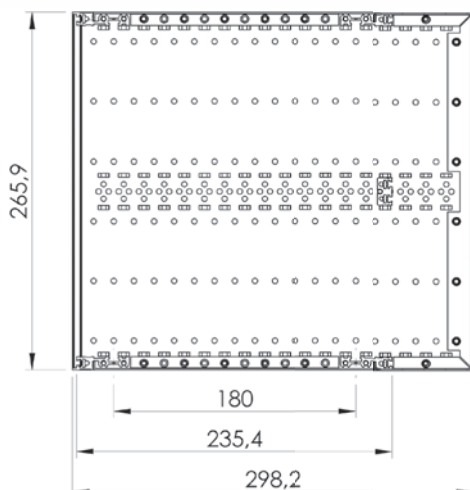
**Note:** Product is provided in assembly kit.

## Subrack CPCI 6U 84TE for PCB deep 220



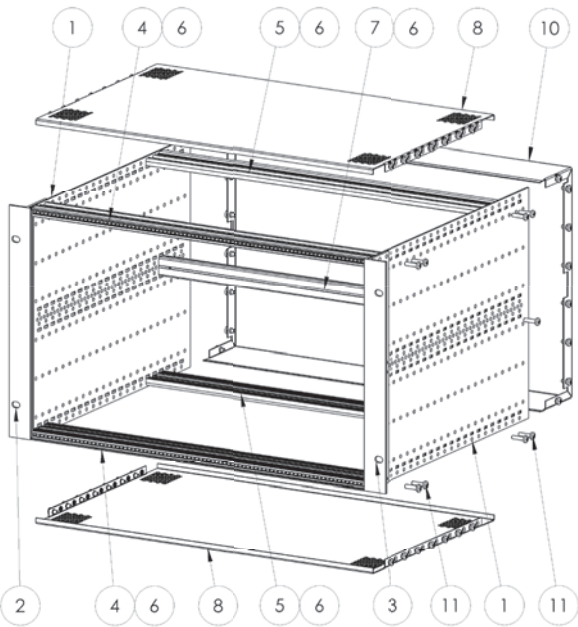
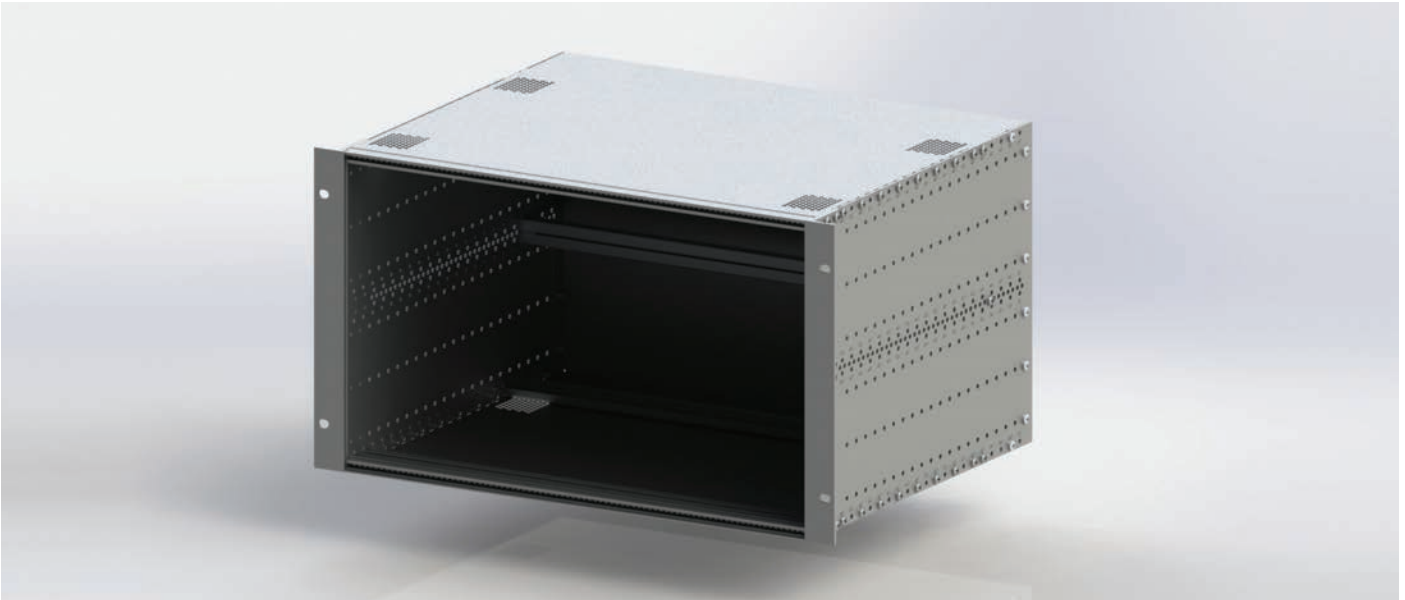
B.O.M.			
Pos.	P/N	Description	Q.ty
1	120.001/063 00	Side panel 6U	2
2	223.501/306 01	Lateral bracket for gasket 6U	1
3	223.501/006 01	Lateral bracket 6U	1
4	221.192/085C 01	STD front crosspiece 85TE	2
5	221.193/085C 00	Back rear crosspiece 85TE	2
6	234.013/085 00	Fastening bar M2,5 85TE	6
7	221.195/085C 00	Back mezzanine crosspiece 85TE	1
8	081.503/123 00	Top / Bottom cover kit Ø4	2
9	081.503/862 00	Cover side panels kit 3U 85TE	1
10	444.004	Thread forming screw M4X16	18

**P/N:** 021.502/698 00



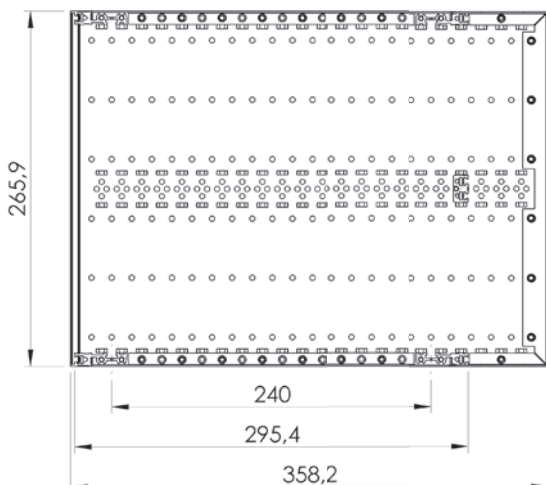
**Note:** Product is provided in assembly kit.

## Subrack CPCI 6U 84TE for PCB deep 280



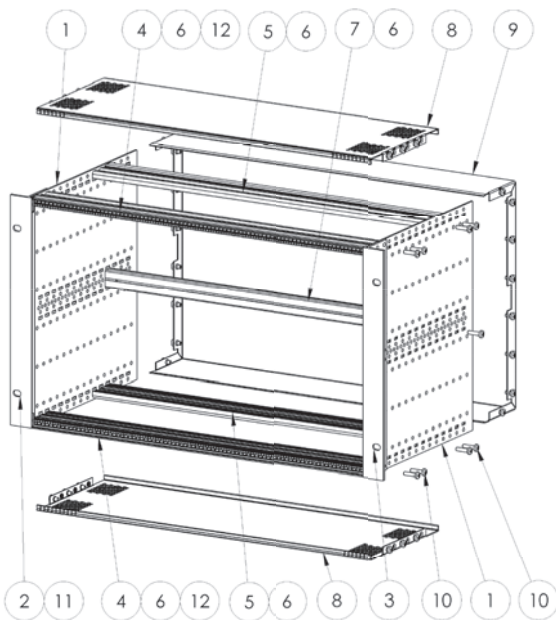
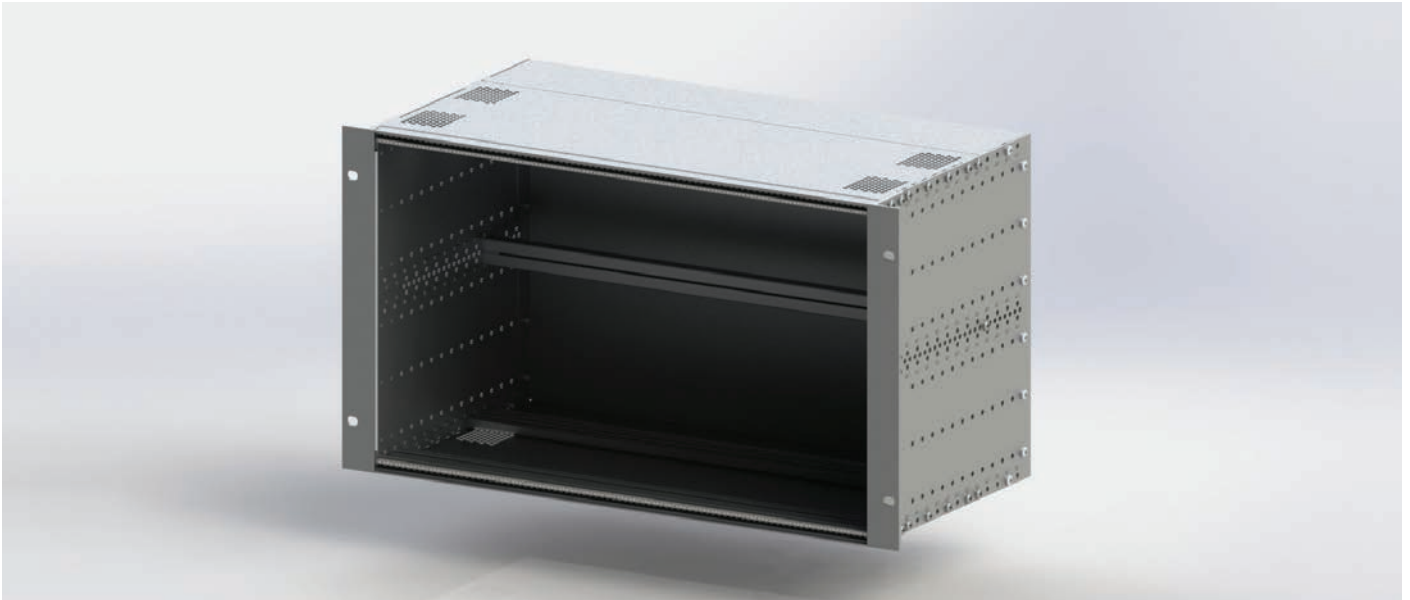
B.O.M.			
Pos.	P/N	Description	Q.ty
1	120.001/064 00	Side panel 6U	2
2	223.501/306 01	Lateral bracket for gasket 6U	1
3	223.501/006 01	Lateral bracket 6U	1
4	221.192/085C 01	STD front crosspiece 85TE	2
5	221.193/085C 00	Back rear crosspiece 85TE	2
6	234.013/085 00	Fastening bar M2,5 85TE	6
7	221.195/085C 00	Back mezzanine crosspiece 85TE	1
8	081.503/124 00	Top / Bottom cover kit Ø4	2
9	081.503/862 00	Cover side panels kit	1
10	444.004	Thread forming screw M4X16	18

**P/N:** 021.502/699 00



Note: Product is provided in assembly kit.

## Subrack CPCI 6U 84TE for PCB deep 160 EMI



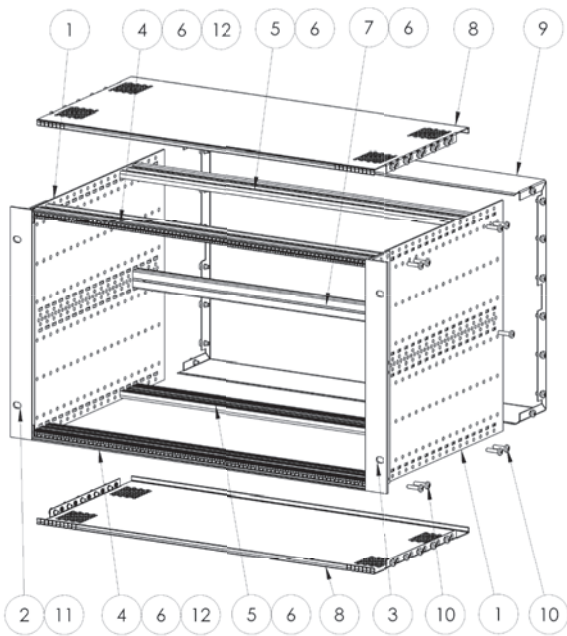
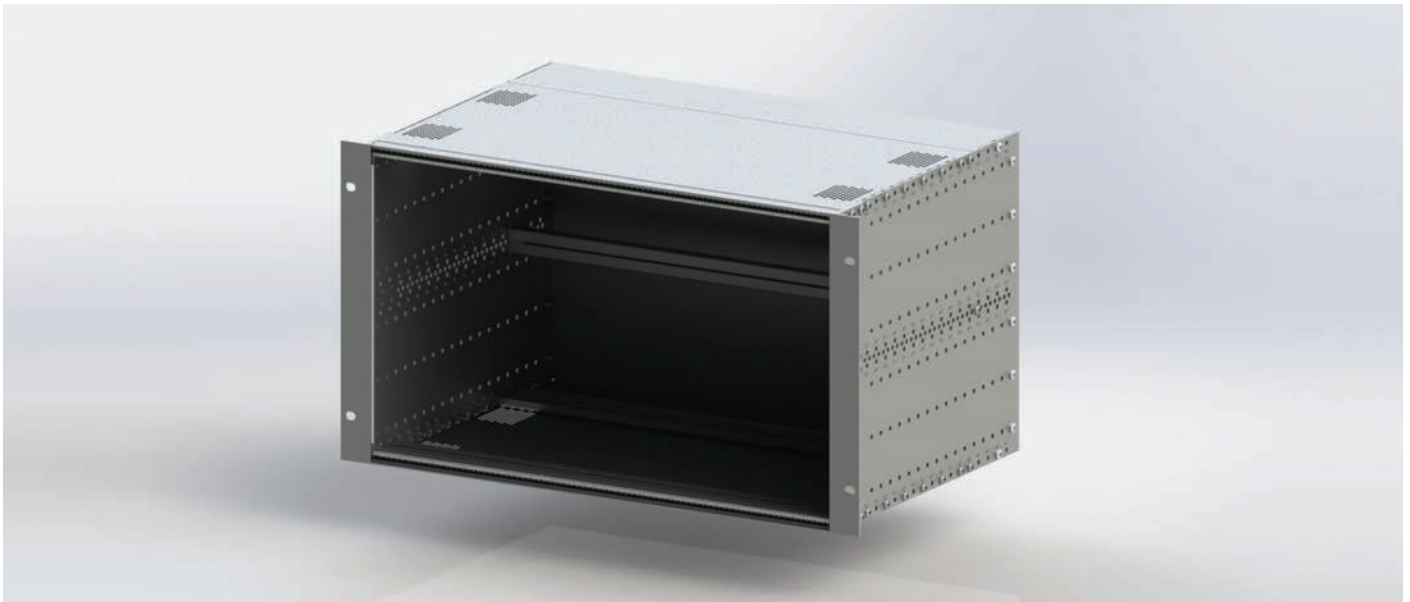
B.O.M.			
Pos.	P/N	Description	Q.ty
1	120.001/062 00	Side panel 6U	2
2	223.501/306 01	Lateral bracket for gasket 6U	1
3	223.501/006 01	Lateral bracket 6U	1
4	221.192/085C 01	STD front crosspiece 85TE	2
5	221.193/085C 00	Back rear crosspiece 85TE	2
6	234.013/085 00	Fastening bar M2,5 85TE	6
7	221.195/085C 00	Back mezzanine crosspiece 85TE	1
8	081.503/322 00	Top / Bottom cover kit Ø4	2
9	081.503/862 00	Cover side panels kit	1
10	444.004	Thread forming screw M4X16	18
11	780.000/032 00	Foam gasket 3,8x2,3	1
12	634.110/016	Contact strip crosspieces	2

**P/N:** 021.501/697 00



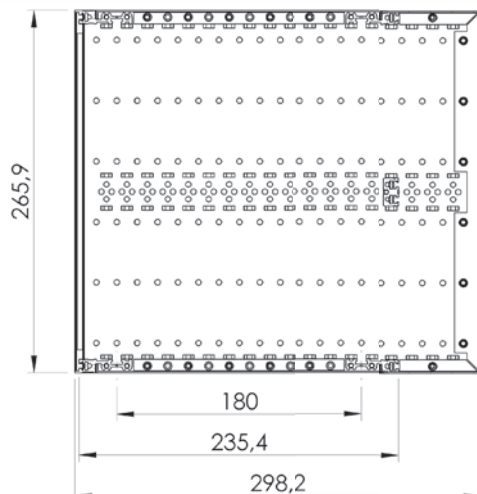
**Note:** Product is provided in assembly kit.

## Subrack CPCI 6U 84TE for PCB deep 220 EMI



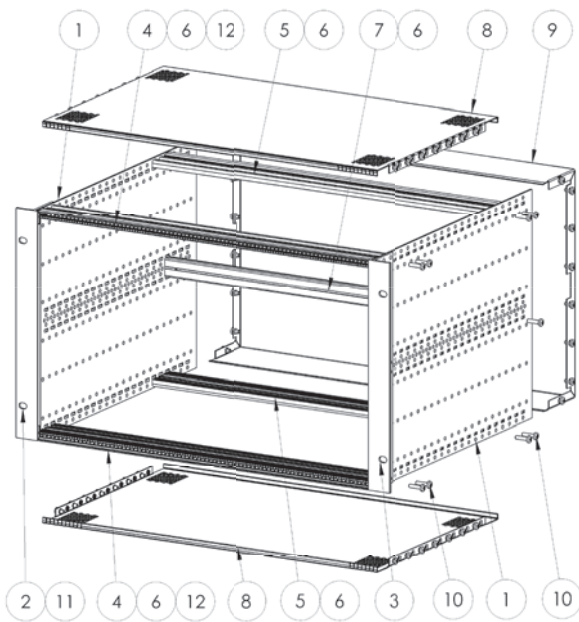
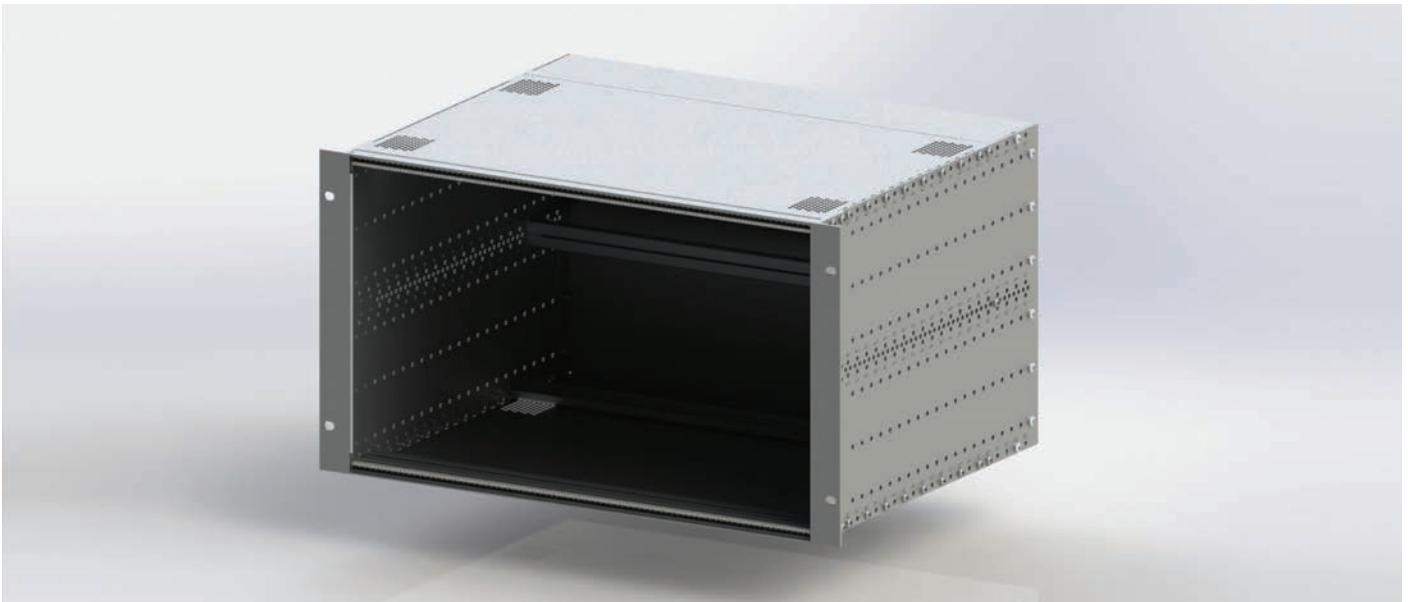
B.O.M.			
Pos.	P/N	Description	Q.ty
1	120.001/063 00	Side panel 6U	2
2	223.501/306 01	Lateral bracket for gasket 6U	1
3	223.501/006 01	Lateral bracket 6U	1
4	221.192/085C 01	STD front crosspiece 85TE	2
5	221.193/085C 00	Back rear crosspiece 85TE	2
6	234.013/085 00	Fastening bar M2,5 85TE	6
7	221.195/085C 00	Back mezzanine crosspiece 85TE	1
8	081.503/323 00	Top / Bottom cover kit Ø4	2
9	081.503/862 00	Cover side panels kit	1
10	444.004	Thread forming screw M4X16	18
11	780.000/032 00	Foam gasket 3,8x2,3	1
12	634.110/016	Contact strip crosspieces	2

**P/N: 021.501/698 00**



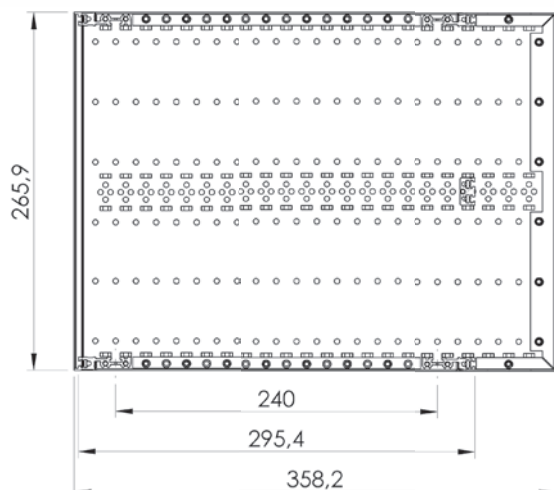
**Note:** Product is provided in assembly kit.

## Subrack CPCI 6U 84TE for PCB deep 280 EMI



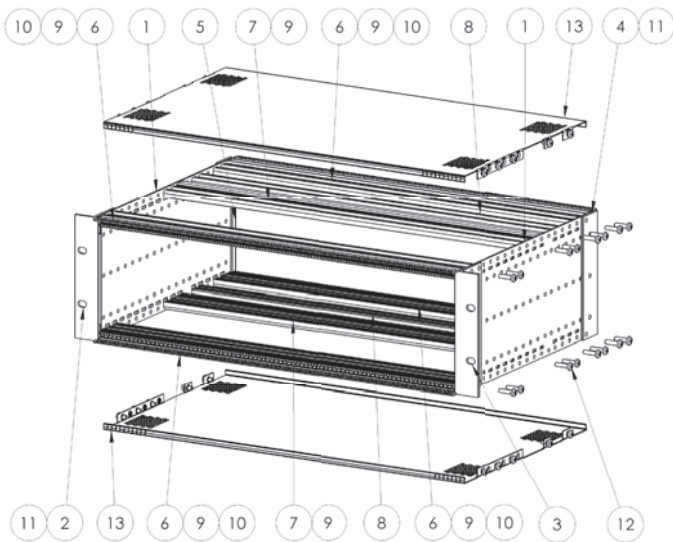
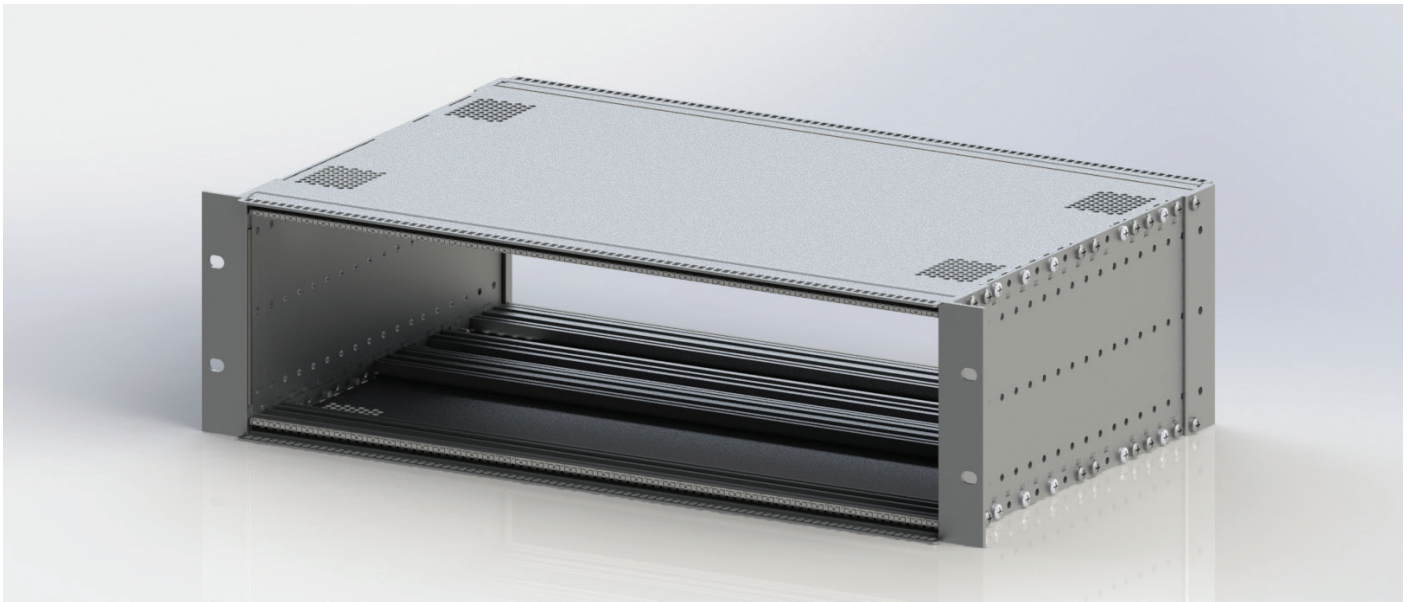
B.O.M.			
Pos.	P/N	Description	Q.ty
1	120.001/064 00	Side panel 6U	2
2	223.501/306 01	Lateral bracket for gasket 6U	1
3	223.501/006 01	Lateral bracket 6U	1
4	221.192/085C 01	STD front crosspiece 85TE	2
5	221.193/085C 00	Back rear crosspiece 85TE	2
6	234.013/085 00	Fastening bar M2,5 85TE	6
7	221.195/085C 00	Back mezzanine crosspiece 85TE	1
8	081.503/324 00	Top / Bottom cover kit Ø4	2
9	081.503/862 00	Cover side panels kit	1
10	444.004	Thread forming screw M4X16	18
11	780.000/032 00	Foam gasket 3,8x2,3	1
12	634.110/016	Contact strip crosspieces	2

**P/N:** 021.501/699 00



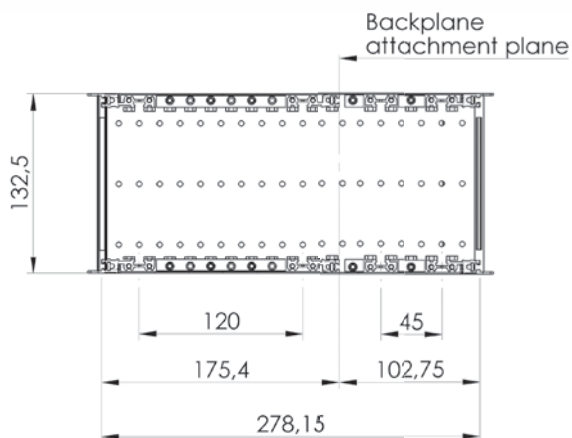
**Note:** Product is provided in assembly kit.

## Subrack CPCI 3U 84TE Rear I/O 160/80



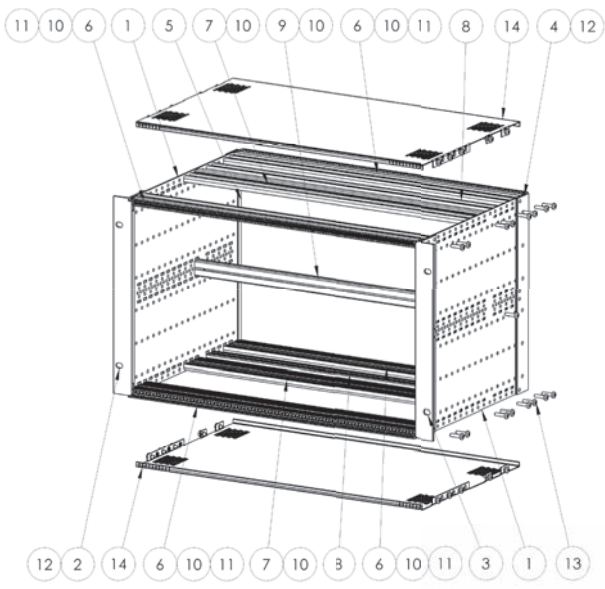
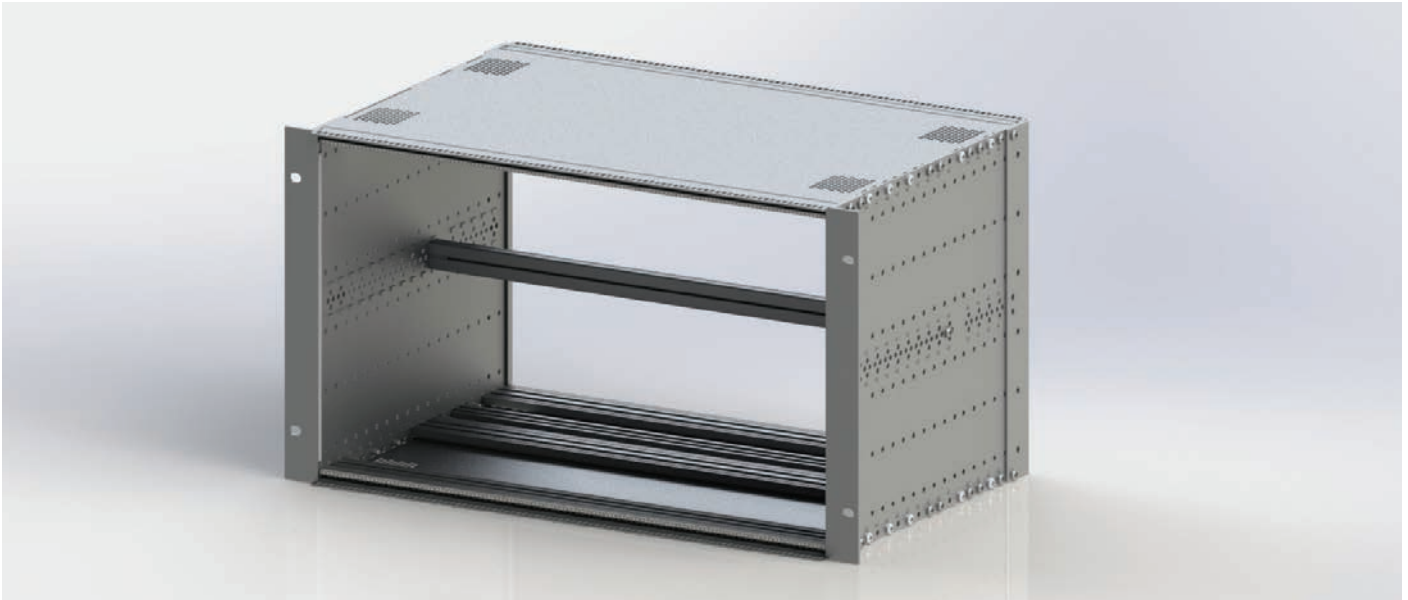
B.O.M.			
Pos.	P/N	Description	Q.ty
1	120.001/123 01	Side panel 3U Rear I/O 160/80	2
2	223.501/303 01	Lateral bracket for gasket 3U	1
3	223.501/003 01	Lateral bracket 3U	1
4	223.501/403 01	Lateral rim for gasket 3U	1
5	223.501/103 01	Lateral rim 3U	1
6	221.191/085C 01	CPCI front crosspiece 85TE	4
7	221.193/085C 00	Back rear crosspiece 85TE	2
8	221.197/085C 00	Support crosspiece 85TE	2
9	234.013/085 00	Fastening bar M2,5 85TE	6
10	634.110/016	Contact strip crosspieces	4
11	780.000/031 00	Foam gasket 3,8x2,3	2
12	444.004	Thread forming screw M4x16	32
13	081.503/713 01	Top / Botton cover kit Ø4 Rear I/O	2

**P/N:** 021.501/024 00

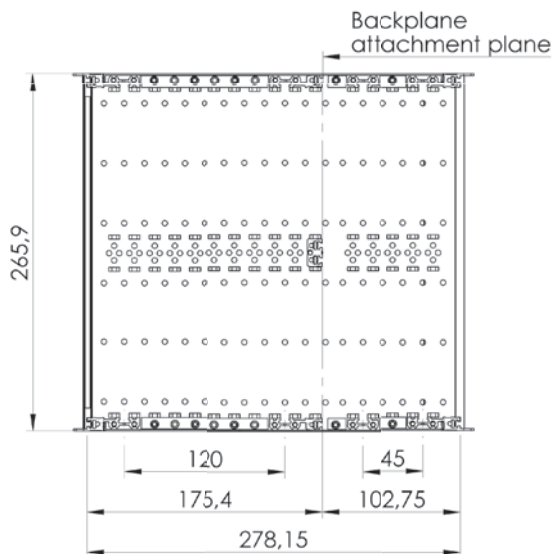


**Note:** Product is provided in assembly kit.

## Subrack CPCI 6U 84TE Rear I/O 160/80



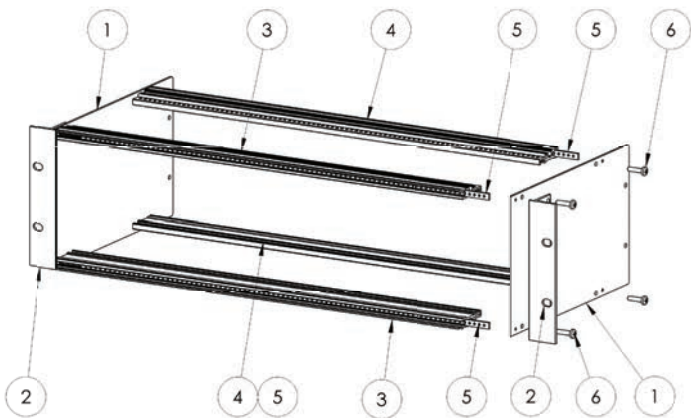
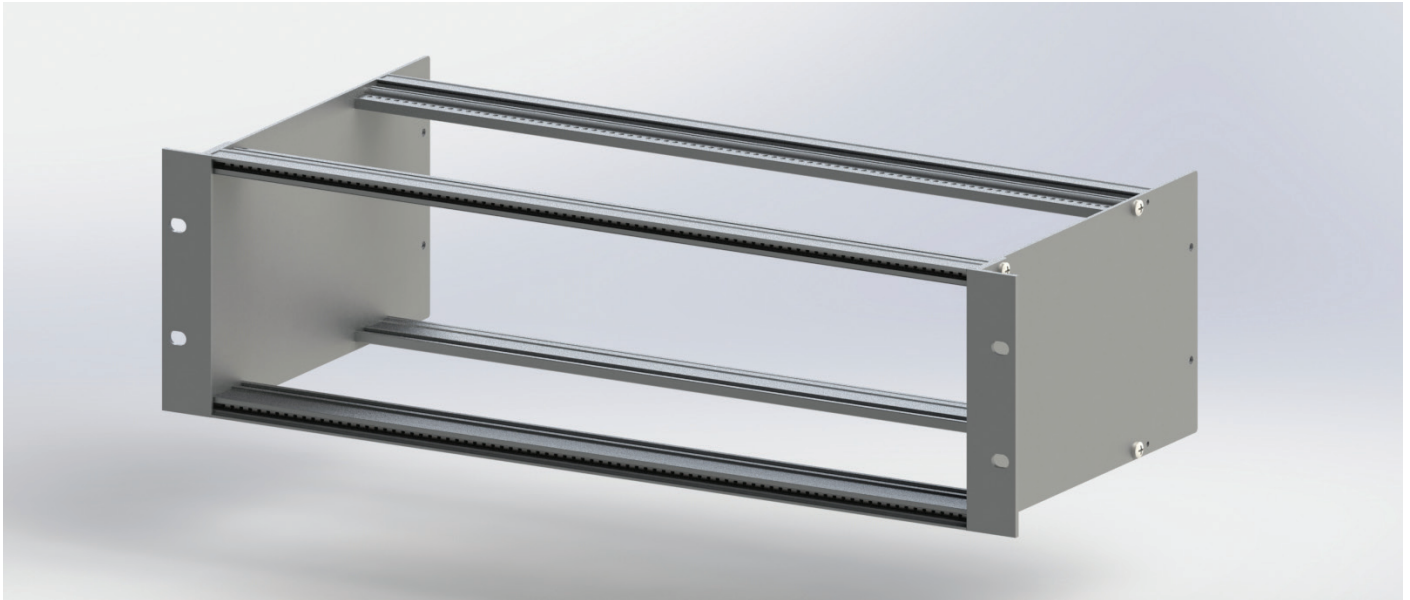
B.O.M.			
Pos.	P/N	Description	Q.ty
1	120.001/126 01	Side panel 6U Rear I/O 160/80	2
2	223.501/306 01	Lateral bracket for gasket 6U	1
3	223.501/006 01	Lateral bracket 6U	1
4	223.501/406 01	Lateral rim for gasket 6U	1
5	223.501/106 01	Lateral rim 6U	1
6	221.191/085C 01	CPCI front crosspiece 85TE	4
7	221.193/085C 00	Back rear crosspiece 85TE	2
8	221.197/085C 00	Support crosspiece 85TE	2
9	221.195/085C 00	Back mezzanine crosspieces 85TE	1
10	234.013/085 00	Fastening bar M2,5 85TE	8
11	634.110/016	Contact strip crosspieces	4
12	780.000/032 00	Foam gasket 3,8x2,3	2
13	444.004	Thread forming screw M4x16	34
14	081.503/713 01	Top / Bottom cover kit Ø4 Rear I/O	2



**P/N:** 021.501/027 00

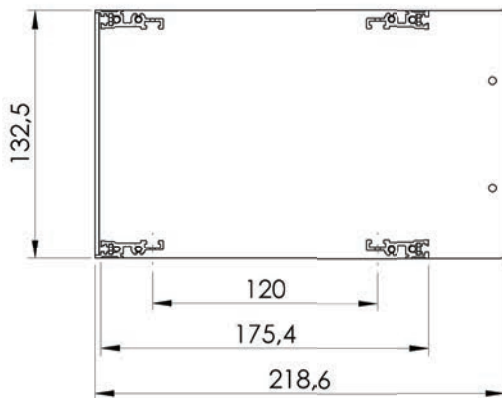
**Note:** Product is provided in assembly kit.

## Subrack CPCI LIGHT 3U 84TE for PCB deep 160



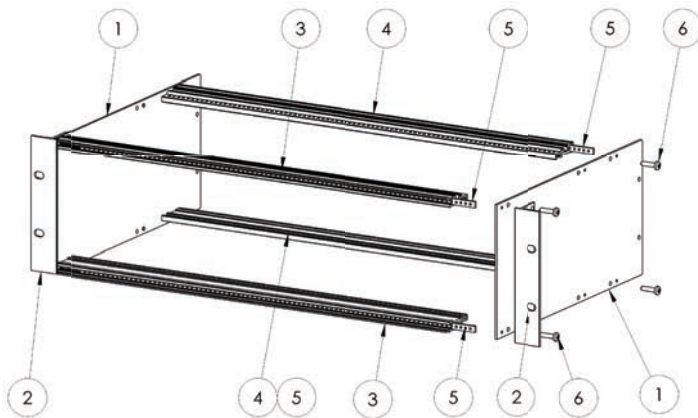
B.O.M.			
Pos.	P/N	Description	Q.ty
1	120.000/301 00	Side panel 3U	2
2	223.501/603 01	Lateral bracket 3U	2
3	221.199/085C 01	Front crosspiece Light 85TE	2
4	221.200/085C 00	Back rear crosspiece Light 85TE	2
5	234.013/085 00	Fastening bar M2,5 85TE	4
6	444.004	Thread forming screw M4x16	8

**P/N: 021.502/394 01**



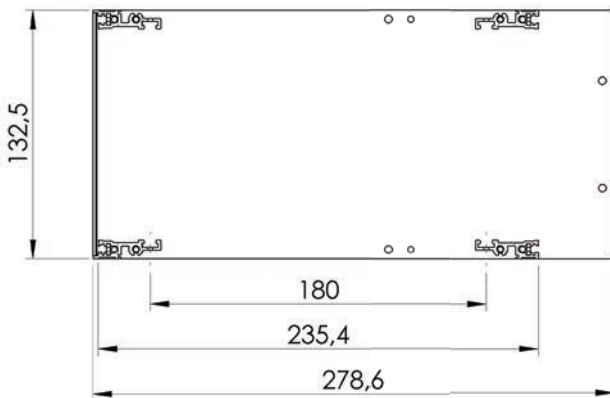
**Note:** Product is provided in assembly kit.

## Subrack CPCI LIGHT 3U 84TE for PCB deep 220



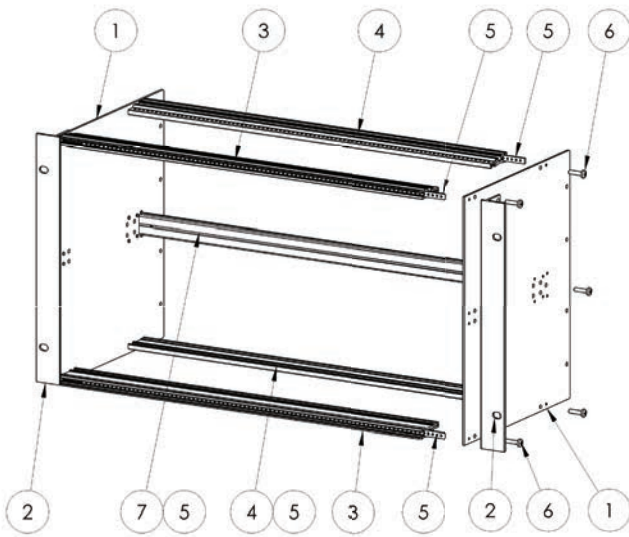
B.O.M.			
Pos.	P/N	Description	Q.ty
1	120.000/302 00	Side panel 3U	2
2	223.501/603 01	Lateral bracket 3U	2
3	221.199/085C 01	Front crosspiece Light 85TE	2
4	221.200/085C 00	Back rear crosspiece Light 85TE	2
5	234.013/085 00	Fastening bar M2,5 85TE	4
6	444.004	Thread forming screw M4x16	8

**P/N:** 021.502/395 01



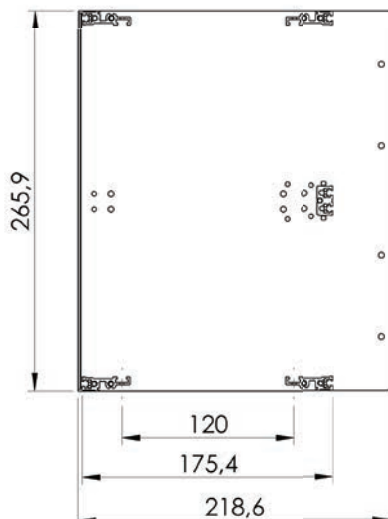
**Note:** Product is provided in assembly kit.

## Subrack CPCI LIGHT 6U 84TE for PCB deep 160



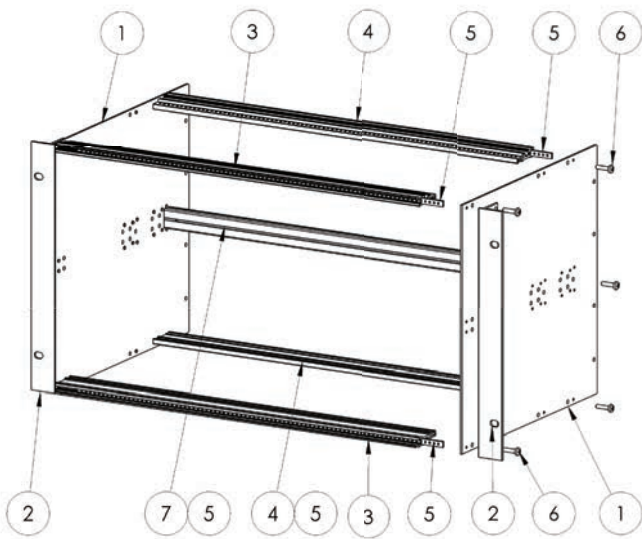
B.O.M.			
Pos.	P/N	Description	Q.ty
1	120.000/303 00	Side panel 6U	2
2	223.501/606 01	Lateral bracket 6U	2
3	221.199/085C 01	Front crosspiece Light 85TE	2
4	221.200/085C 00	Back rear crosspiece Light 85TE	2
5	234.013/085 00	Fastening bar M2,5 85TE	6
6	444.004	Thread forming screw M4x16	10
7	221.195/085C 00	Back mezzanine crosspiece 85TE	1

**P/N: 021.502/694 01**



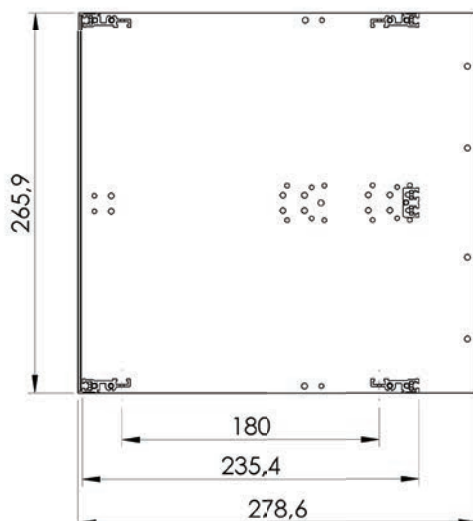
**Note:** Product is provided in assembly kit.

## Subrack CPCI LIGHT 6U 84TE for PCB deep 220



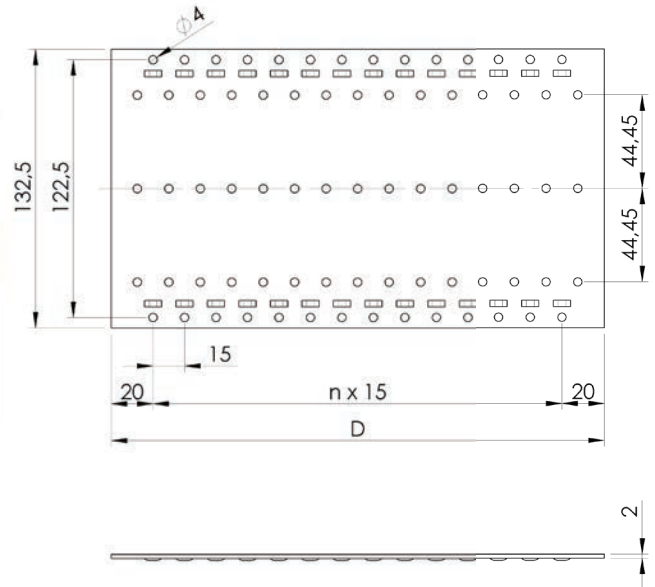
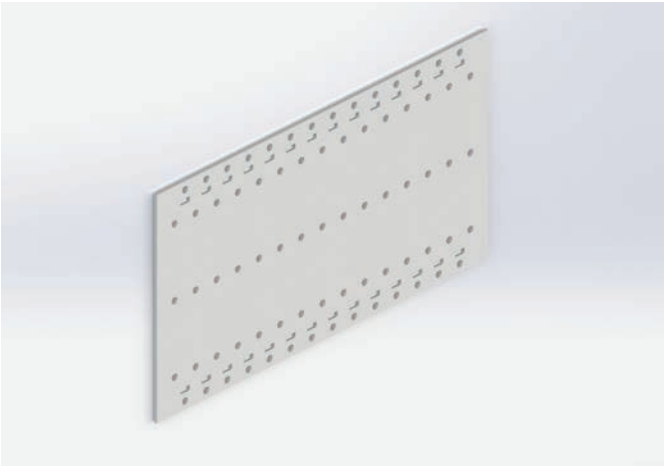
B.O.M.			
Pos.	P/N	Description	Q.ty
1	120.000/304 00	Side panel 6U	2
2	223.501/606 01	Lateral bracket 6U	2
3	221.199/085C 01	Front crosspiece Light 85TE	2
4	221.200/085C 00	Back rear crosspiece Light 85TE	2
5	234.013/085 00	Fastening bar M2,5 85TE	6
6	444.004	Thread forming screw M4x16	10
7	221.195/085C 00	Back mezzanine crosspiece 85TE	1

**P/N: 021.502/695 01**



**Note:** Product is provided in assembly kit.

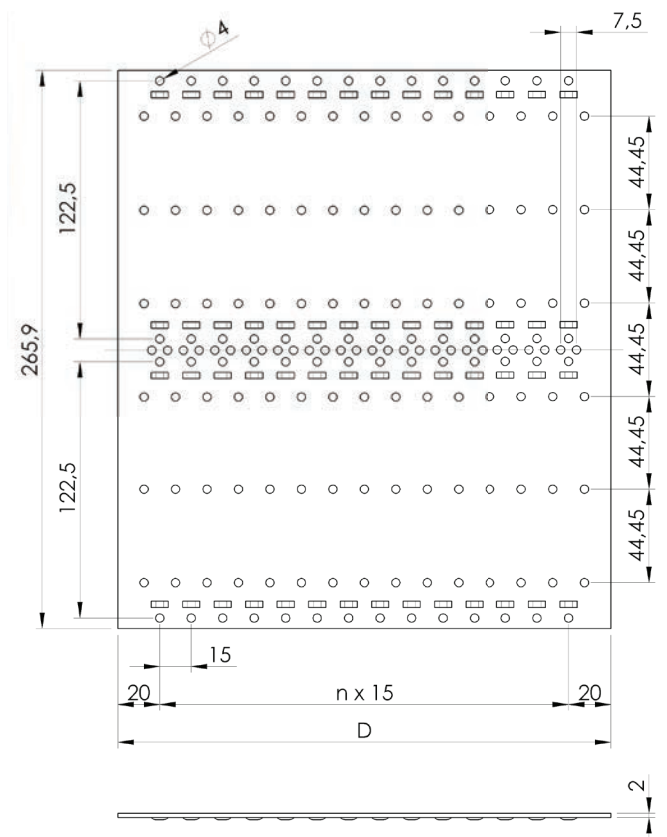
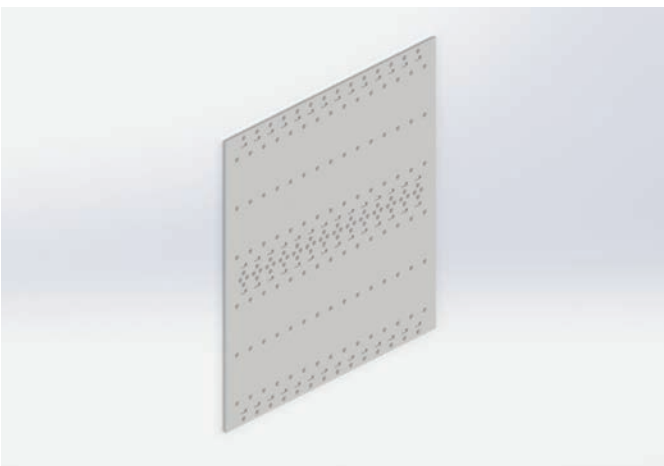
## Side panels Series CPCI 3U / 6U



### 3U Side panels

Material:  
Aluminium  
Finish:  
Passivated (conductive)

D	P/N
175	120.001/031
235	120.001/032
295	120.001/033
355	120.001/034

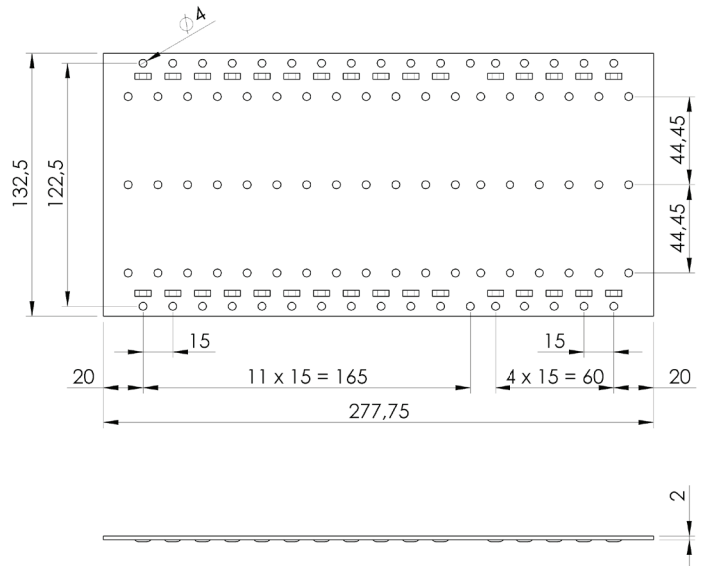
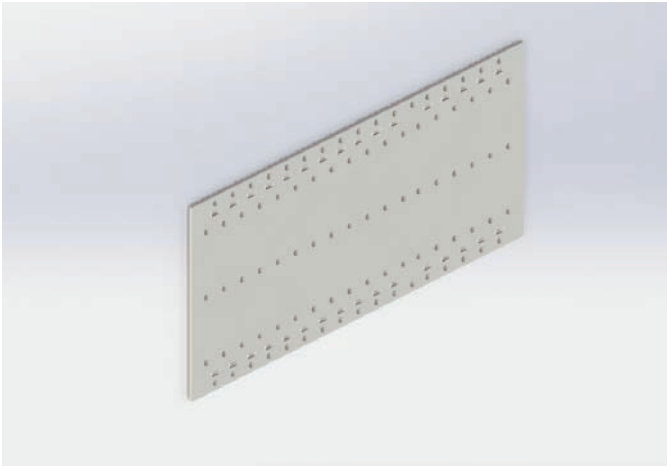


### 6U Side panels

Material:  
Aluminium  
Finish:  
Passivated (conductive)

D	P/N
175	120.001/061
235	120.001/062
295	120.001/063
355	120.001/064

## Side panels Series CPCI 3U / 6U rear I/O 160/80

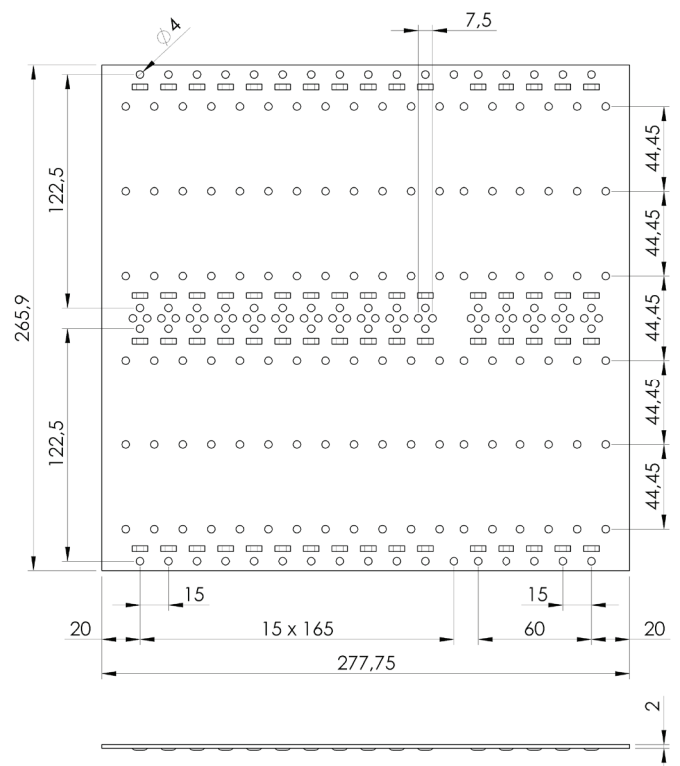
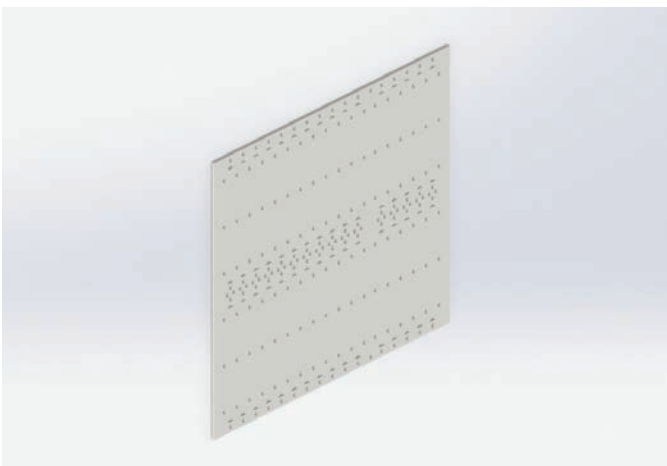


3U Side panel rear  
I/O 160/80

**P/N:** 120.001/123 01

Material:  
Aluminium

Finish:  
Passivated (conductive)



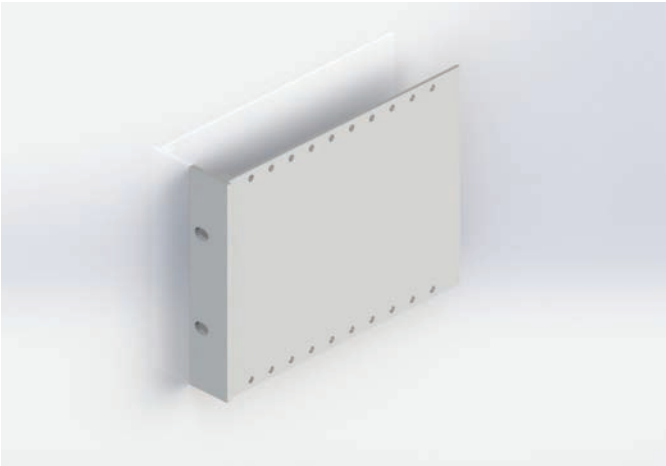
6U Side panel rear  
I/O 160/80

**P/N:** 120.001/126 01

Material:  
Aluminium

Finish:  
Passivated (conductive)

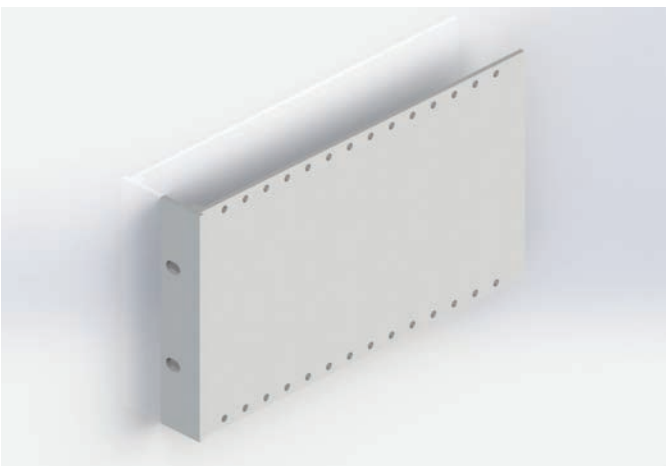
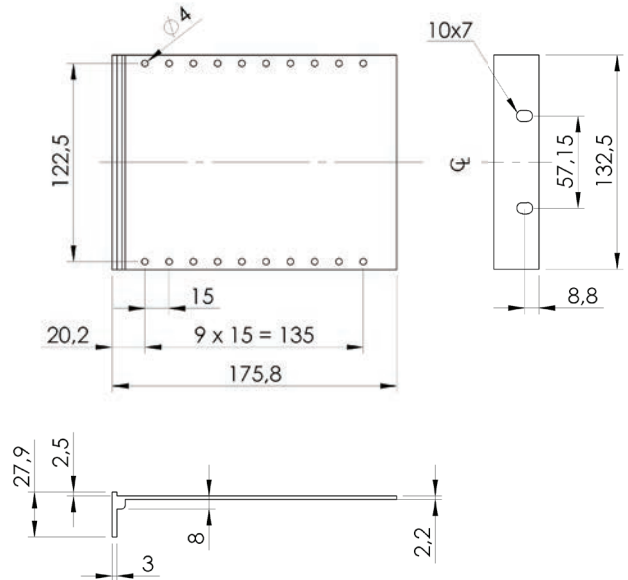
## Extruded Side panels 3U deep 160/220



**3u deep 160**

**P/N: 120.000/293 00**

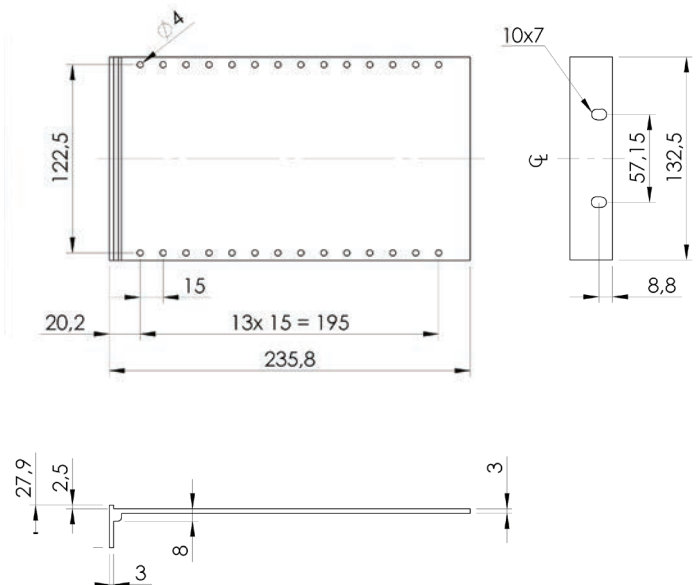
Material:  
Aluminium extrusion  
Finish:  
Passivated (conductive)



**3U deep 220**

**P/N: 120.000/294 00**

Material:  
Aluminium extrusion  
Finish:  
Passivated (conductive)



## Extruded Side panels 6U deep 160/220

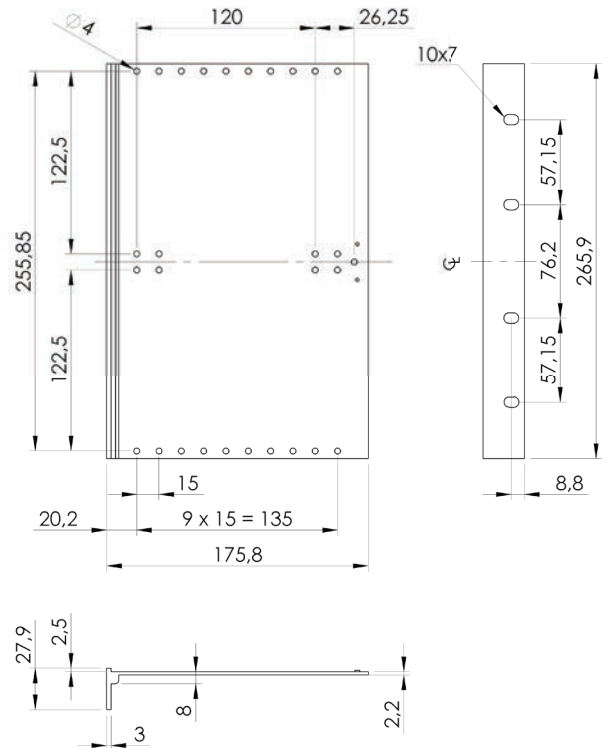


6U deep 160

P/N: 120.000/297 00

Material:  
Aluminium extrusion

Finish:  
Passivated (conductive)

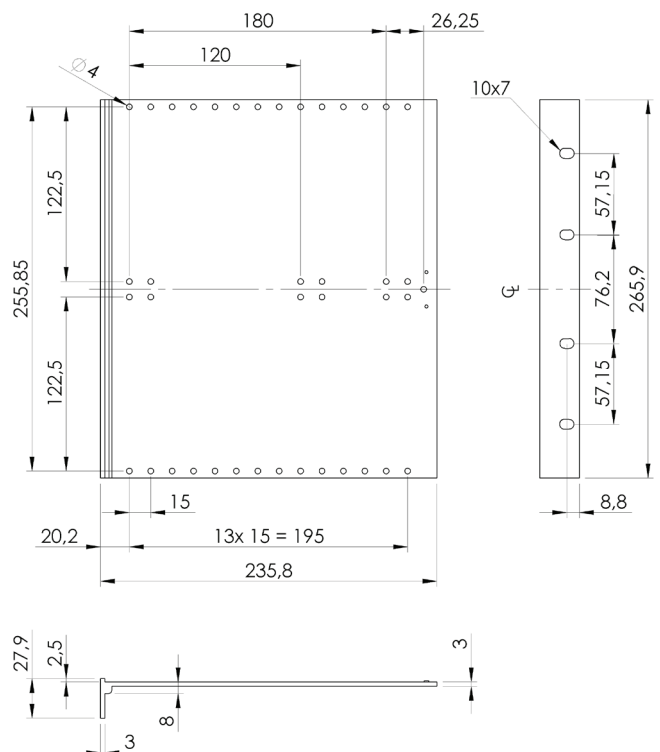


6U deep 220

P/N: 120.000/298 00

Material:  
Aluminium extrusion

Finish:  
Passivated (conductive)



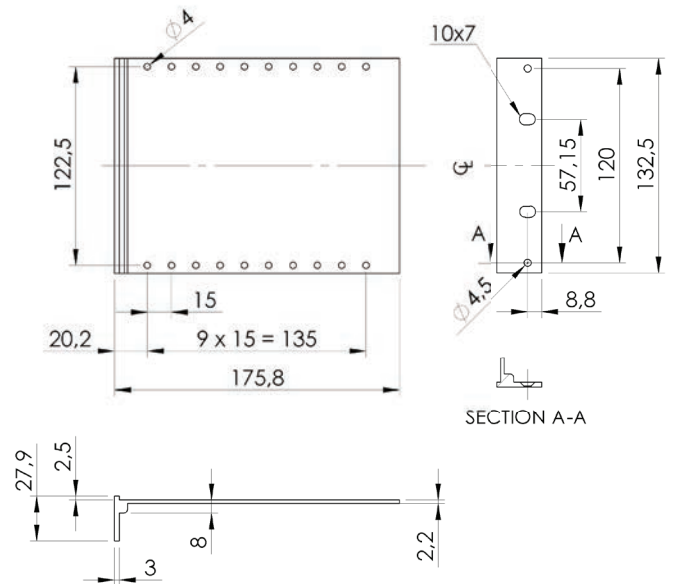
## Extruded Side panels 3U deep 160/220 with handle holes



**3U deep 160**

**P/N: 120.000/295 00**

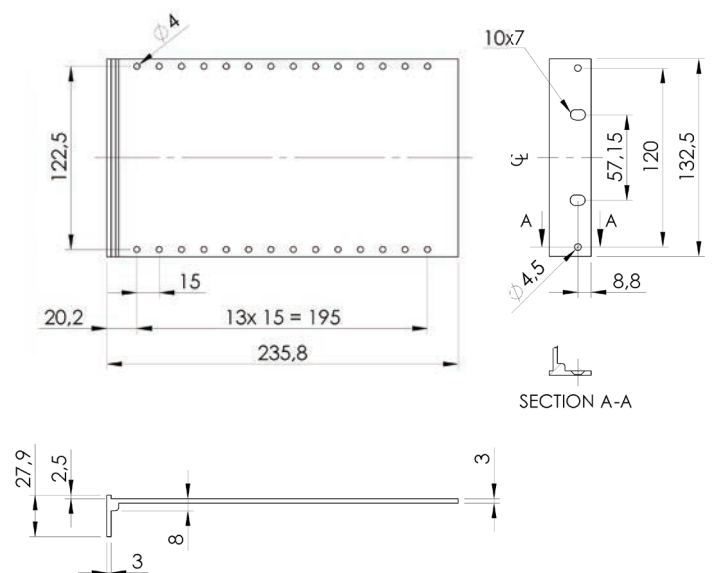
Material:  
Aluminium extrusion  
Finish:  
Passivated (conductive)



**3U deep 220**

**P/N: 120.000/296 00**

Material:  
Aluminium extrusion  
Finish:  
Passivated (conductive)



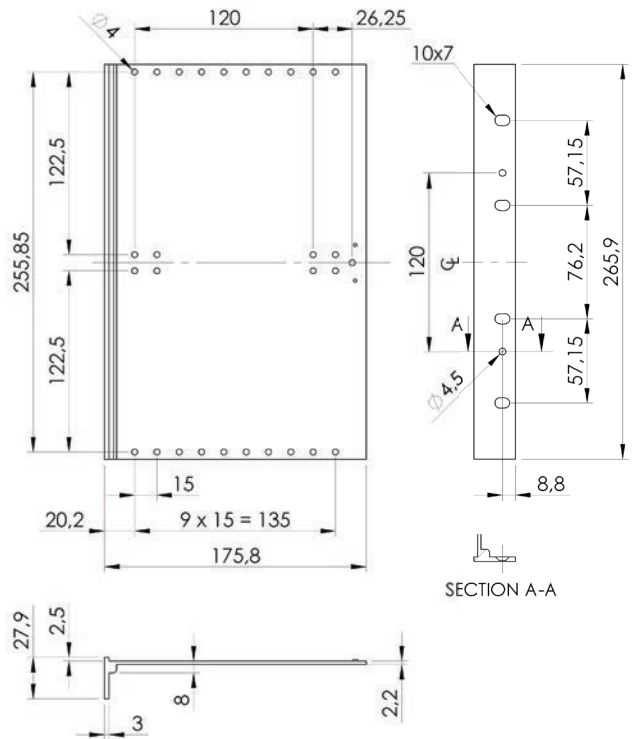
## Extruded Side panels 6U deep 160/220 with handle holes



6U deep 160

P/N: 120.000/299 00

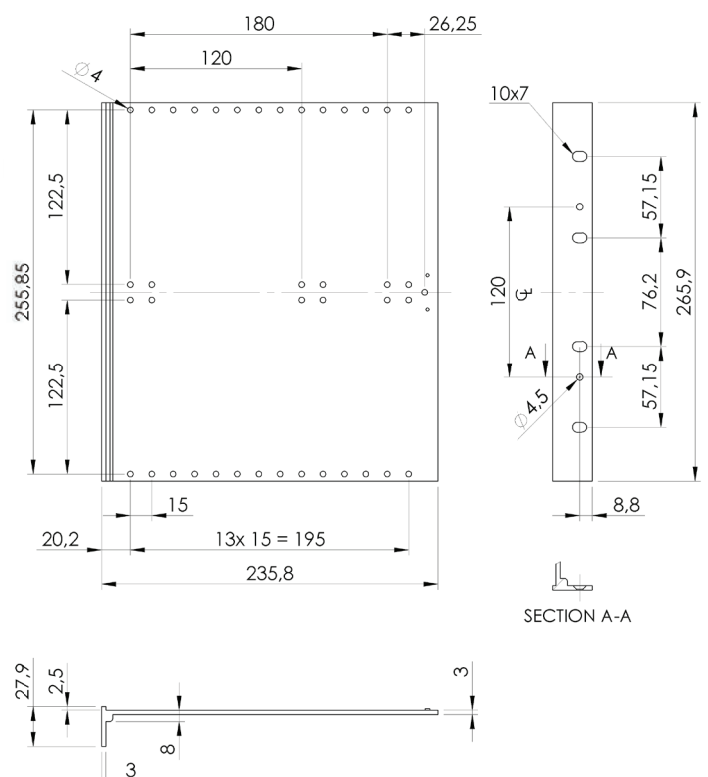
Material:  
Aluminium extrusion  
Finish:  
Passivated (conductive)



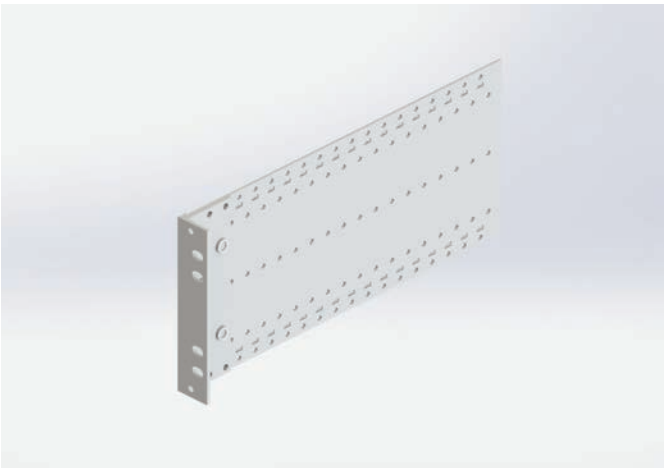
6U deep 220

P/N: 120.000/300 00

Material:  
Aluminium extrusion  
Finish:  
Passivated (conductive)



## Side panels Series Heavy with 19" bracket 3U/3U EMI (Tox-cold welded)



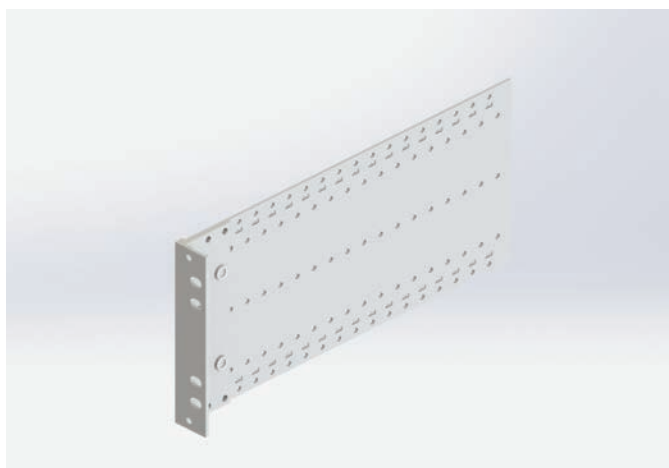
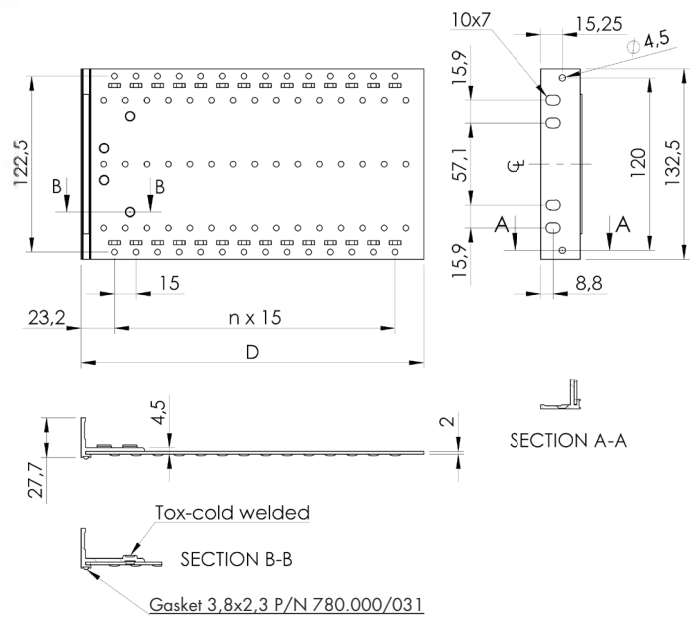
### 3U EMI

Bracket material:  
Aluminium extrusion

Side panel material:  
Aluminium

Finish:  
Passivated (conductive)

D	P/N
178,2	071.000/200
238,2	071.000/201
298,2	071.000/202
358,2	071.000/203



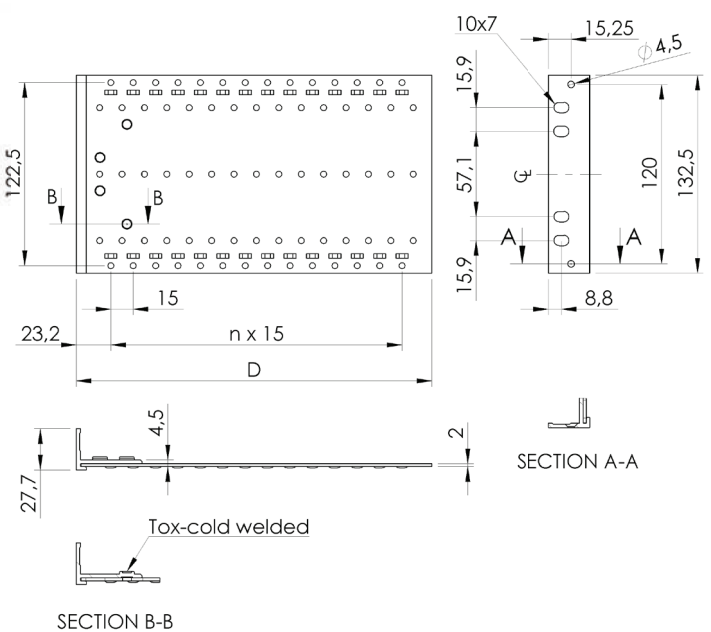
### 3U

Bracket material:  
Aluminium extrusion

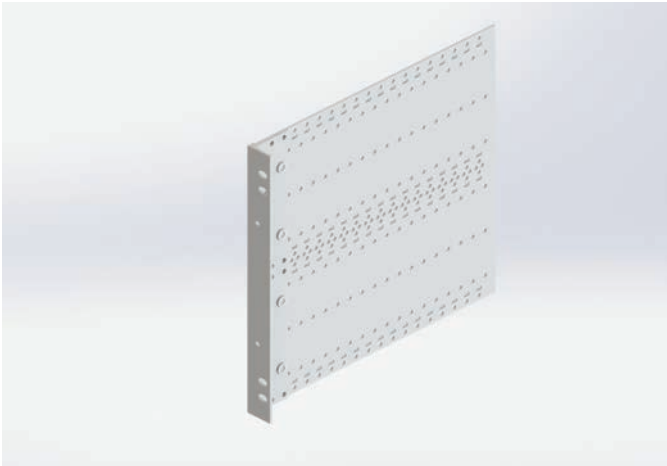
Side panel material:  
Aluminium

Finish:  
Passivated (conductive)

D	P/N
178,2	071.000/210
238,2	071.000/211
298,2	071.000/212
358,2	071.000/213



## Side panels Series Heavy with 19" bracket 6U/6U EMI (Tox-cold welded)



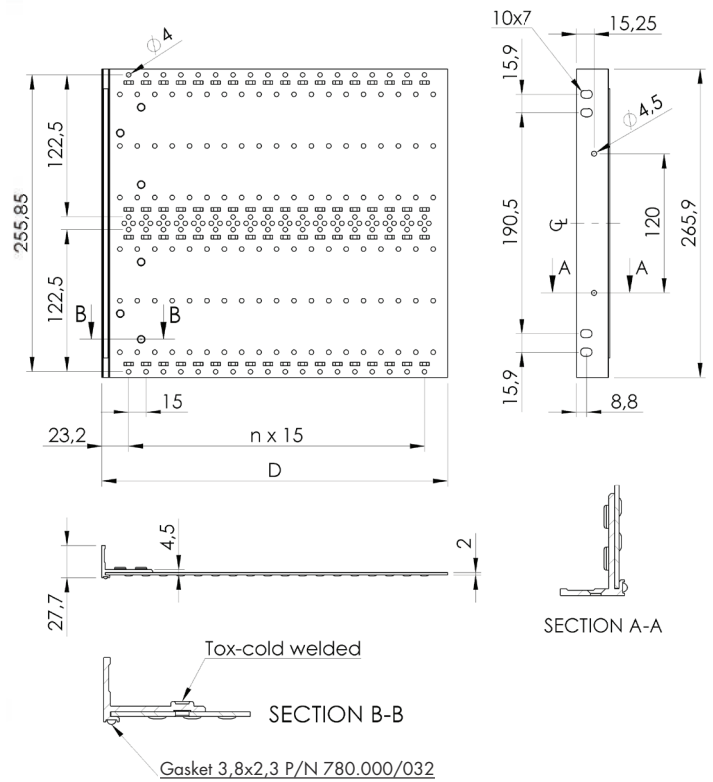
### 6U EMI

Bracket material:  
Aluminium extrusion

Side panel material:  
Aluminium

Finish:  
Passivated (conductive)

D	P/N
178,2	071.000/220
238,2	071.000/221
298,2	071.000/222
358,2	071.000/223



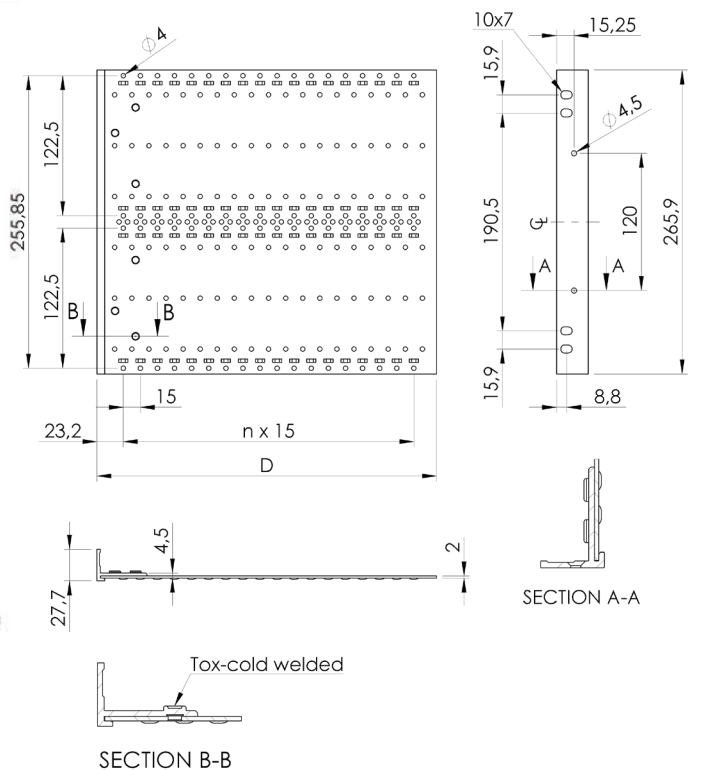
### 6U

Bracket material:  
Aluminium extrusion

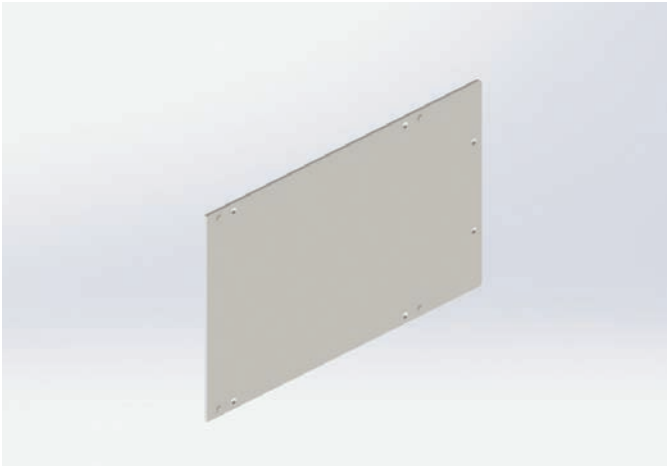
Side panel material:  
Aluminium

Finish:  
Passivated (conductive)

D	P/N
178,2	071.000/230
238,2	071.000/231
298,2	071.000/232
358,2	071.000/233



## Side panels Series Light 3U deep 160/220

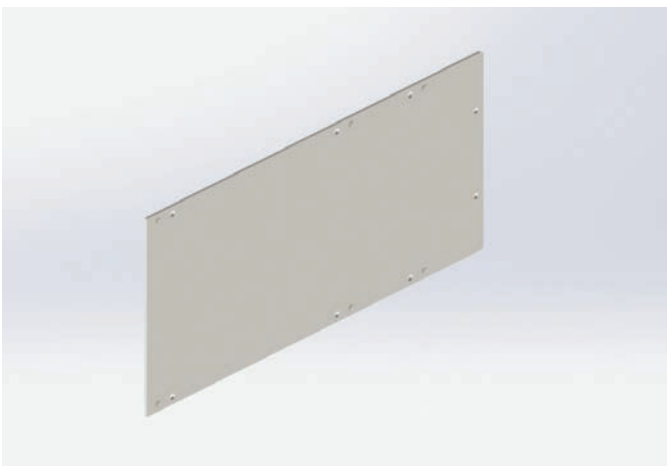
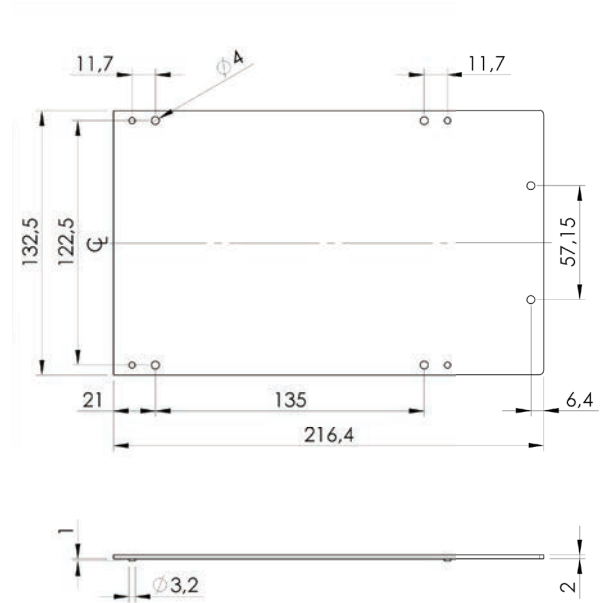


**3U deep 160**

**P/N: 120.000/301 00**

Material:  
Aluminium

Finish:  
Passivated (conductive)

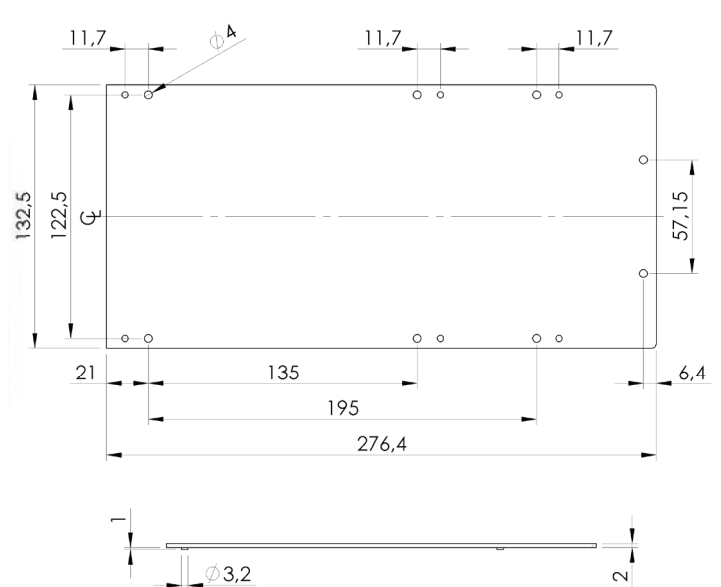


**3U deep 220**

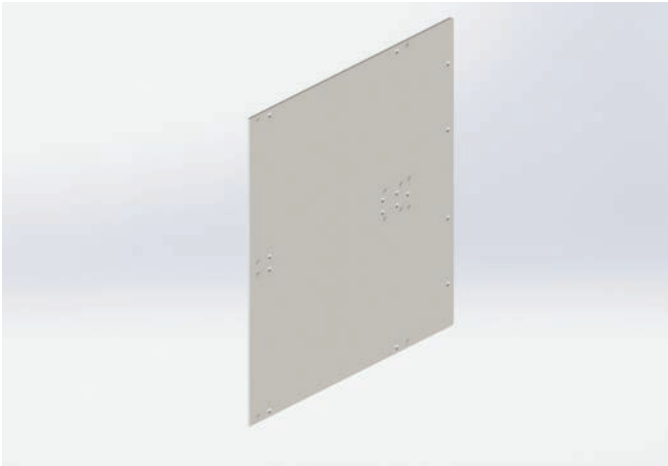
**P/N: 120.000/302 00**

Material:  
Aluminium

Finish:  
Passivated (conductive)



## Side panels Series Light 6U deep 160/220

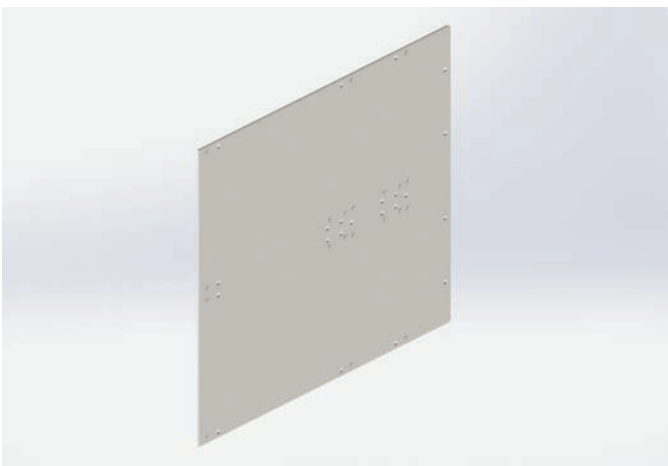
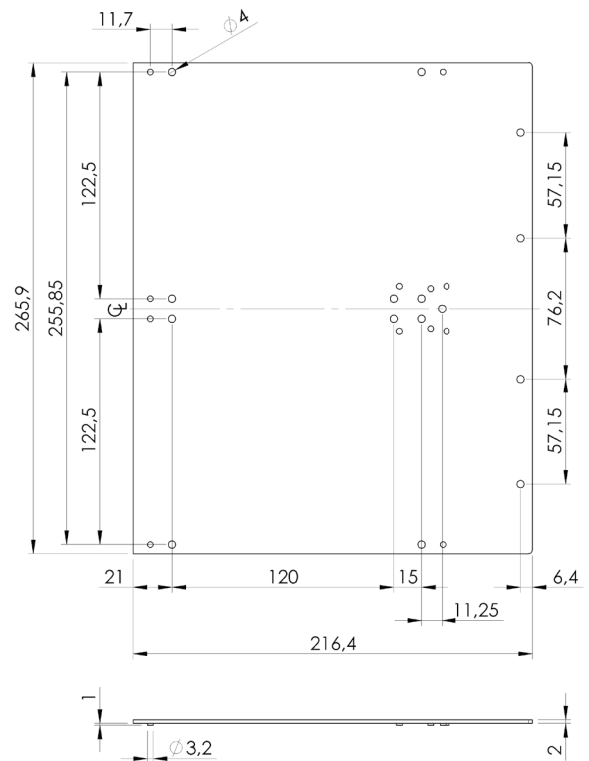


6U deep 160

P/N: 120.000/303 00

Material:  
Aluminium

Finish:  
Passivated (conductive)

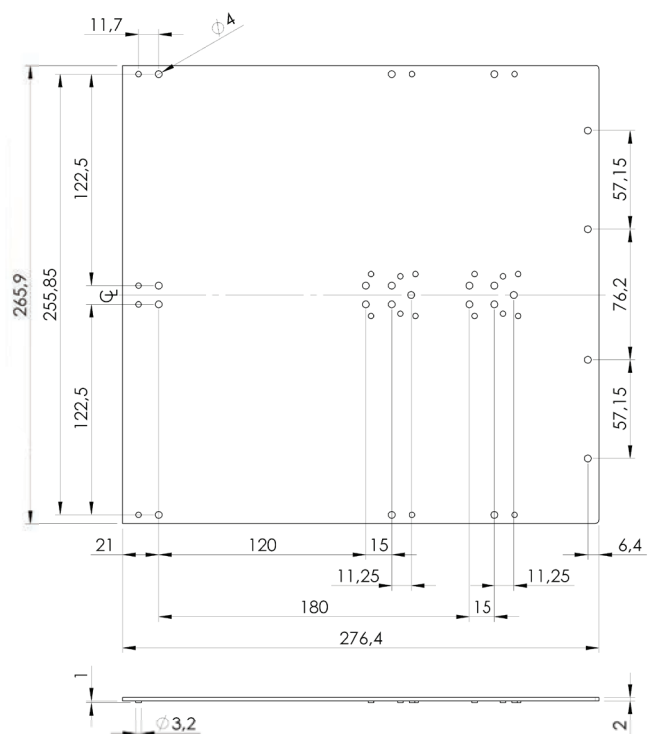


6U deep 220

P/N: 120.000/304 00

Material:  
Aluminium

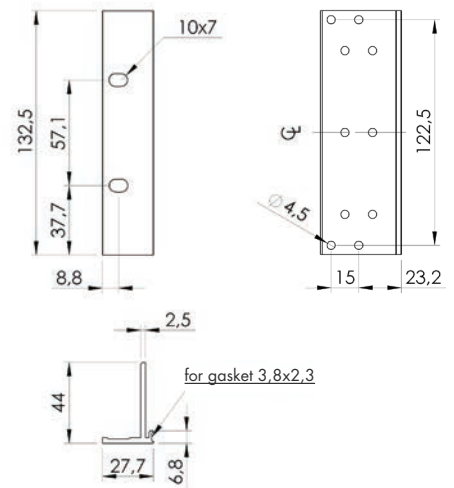
Finish:  
Passivated (conductive)



## 19" Lateral brackets 3U EMI



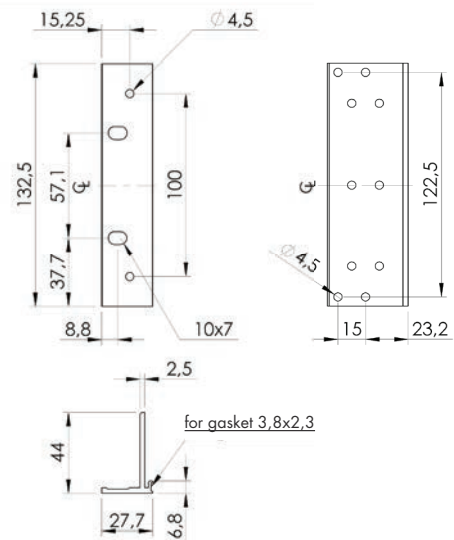
**3U EMI**  
 Material:  
 Aluminium extrusion  
 Finish:  
 Passivated (conductive)



**P/N: 223.501/303 01**



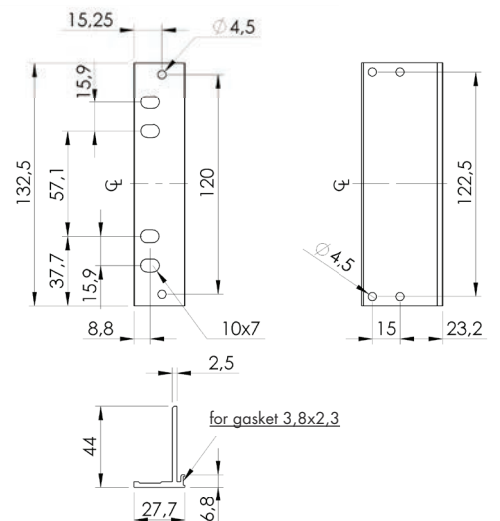
**3U EMI with handle holes**  
 Material:  
 Aluminium extrusion  
 Finish:  
 Passivated (conductive)



**P/N: 223.501/503 01**



**3U EMI railway type**  
 Material:  
 Aluminium extrusion  
 Finish:  
 Passivated (conductive)



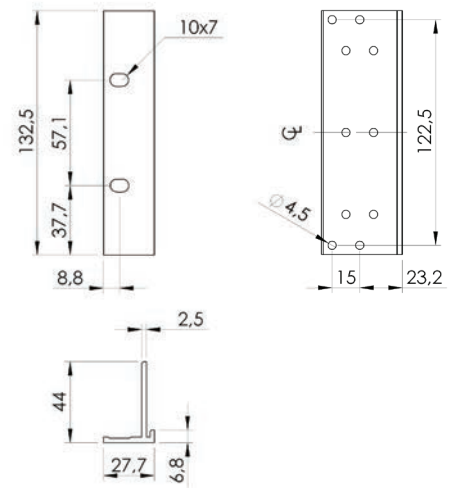
**P/N: 223.501/523 00**

## 19" Lateral brackets 3U



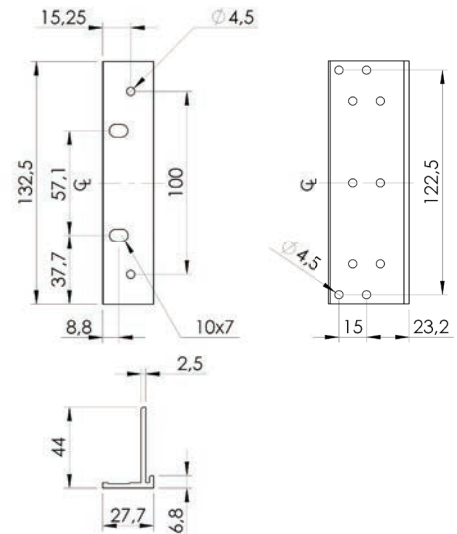
**3U**  
 Material:  
 Aluminium extrusion  
 Finish:  
 Passivated (conductive)

**P/N:** 223.501/003 01



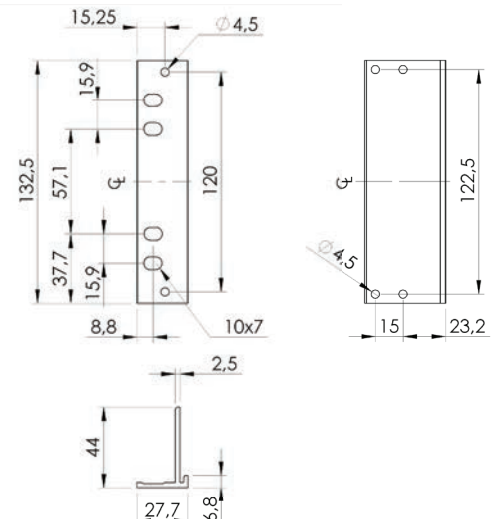
**3U with handle holes**  
 Material:  
 Aluminium extrusion  
 Finish:  
 Passivated (conductive)

**P/N:** 223.501/203 01



**3U railway type**  
 Material:  
 Aluminium extrusion  
 Finish:  
 Passivated (conductive)

**P/N:** 223.501/223 00

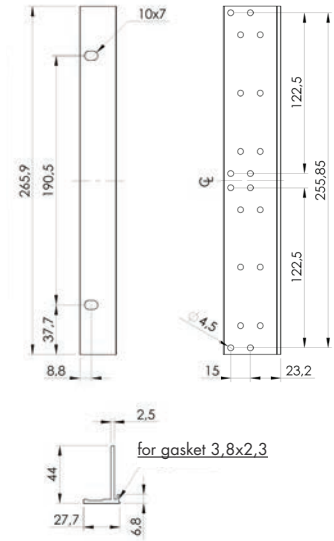


19" Lateral brackets 6U EMI



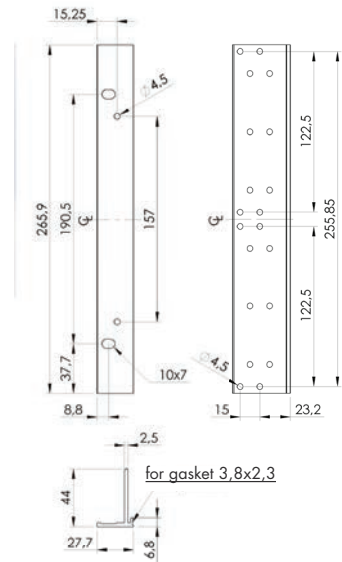
**6U EMI**  
 Material:  
 Aluminium extrusion  
 Finish:  
 Passivated (conductive)

**P/N: 223.501/306 01**



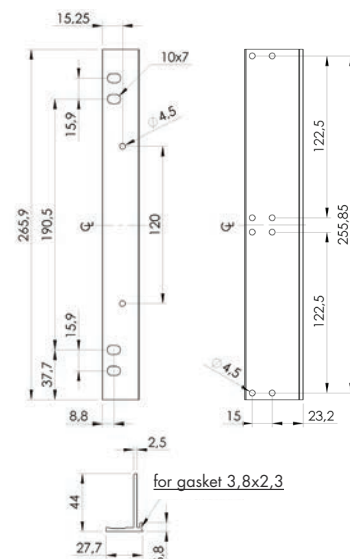
**6U EMI with handle holes**  
 Material:  
 Aluminium extrusion  
 Finish:  
 Passivated (conductive)

**P/N: 223.501/506 01**



**6U EMI railway type**  
 Material:  
 Aluminium extrusion  
 Finish:  
 Passivated (conductive)

**P/N: 223.501/526 00**

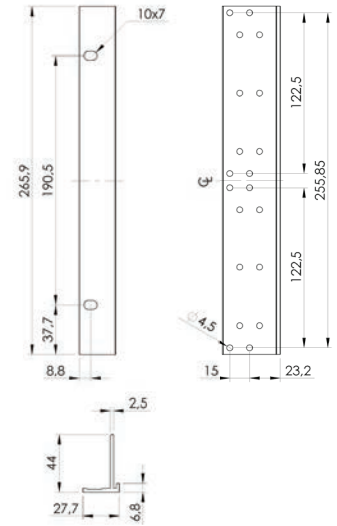


## 19" Lateral brackets 6U



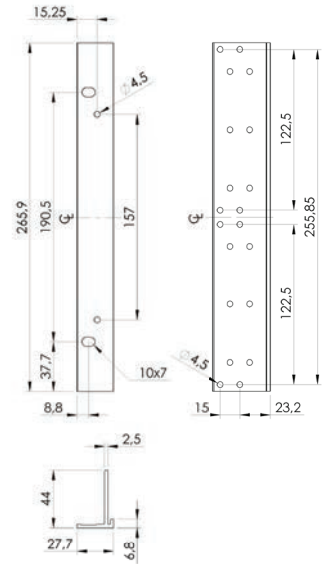
**6U**  
 Material:  
 Aluminium extrusion  
 Finish:  
 Passivated (conductive)

**P/N: 223.501/006 01**



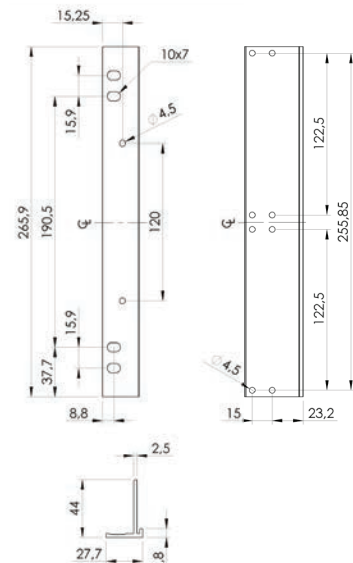
**6U with handle holes**  
 Material:  
 Aluminium extrusion  
 Finish:  
 Passivated (conductive)

**P/N: 223.501/206 01**

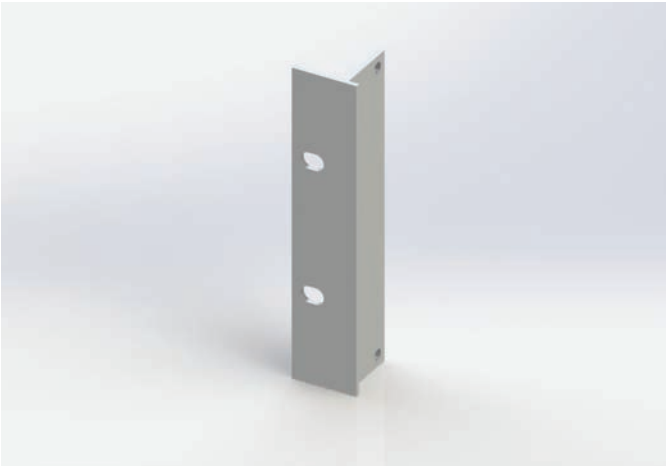


**6U railway type**  
 Material:  
 Aluminium extrusion  
 Finish:  
 Passivated (conductive)

**P/N: 223.501/226 00**



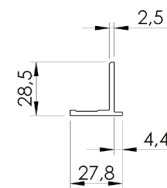
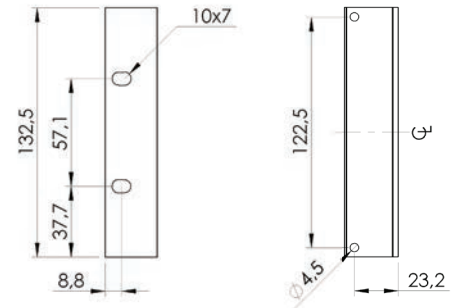
## ▶ 19" Lateral brackets 3U/6U Light



**3U**

**P/N: 223.501/603 01**

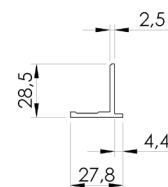
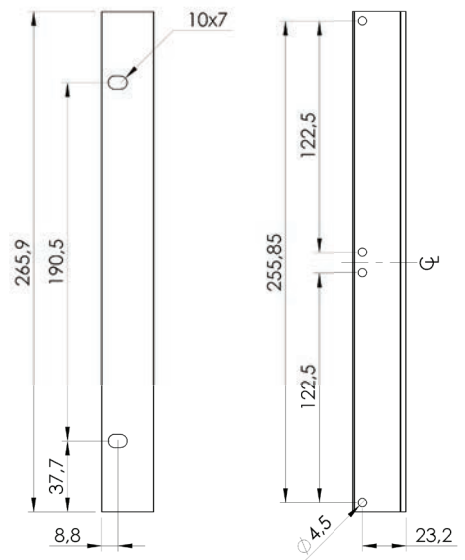
Material:  
Aluminium extrusion  
Finish:  
Passivated (conductive)



**6U**

**P/N: 223.501/606 01**

Material:  
Aluminium extrusion  
Finish:  
Passivated (conductive)

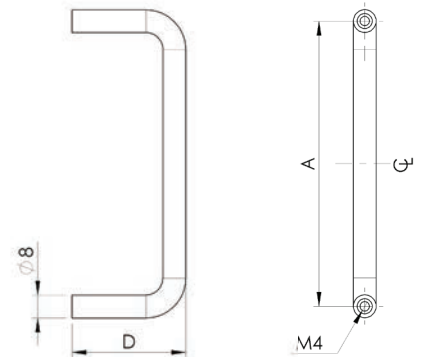


## "T" and "P" series Handles



"T" series Handle

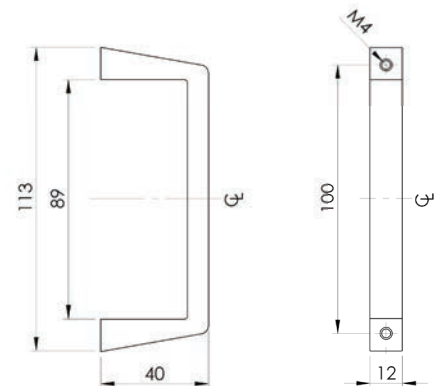
A	D	P/N	Material + Finish
100	40	235.032	Aluminium+ Anodised, natural
157	40	235.033	Aluminium+ Anodised, natural
120	32	224.000/180 00	Stainless steel
120	40	224.000/181 00	Stainless steel



"P" series Handle

Material:  
Aluminium extrusion

Finish:  
Anodised, natural

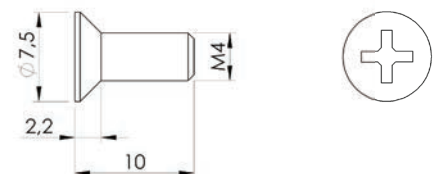


P/N: 235.017



Ph. Cross recessed  
countersunk screw M4X10  
for the fixing of the  
handles

Material:  
Stainless steel



P/N: 404.132

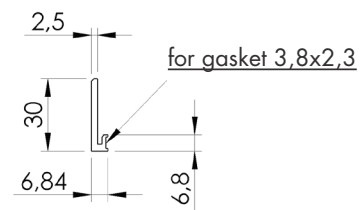
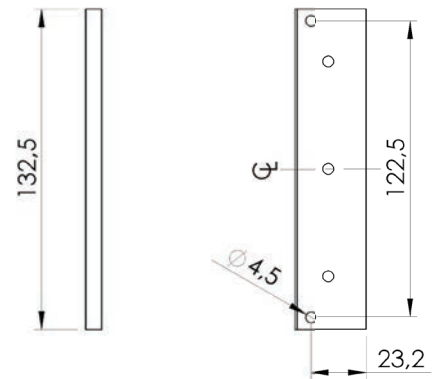
## Lateral rims 3U



**3U EMI**

**P/N: 223.501/403 01**

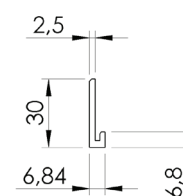
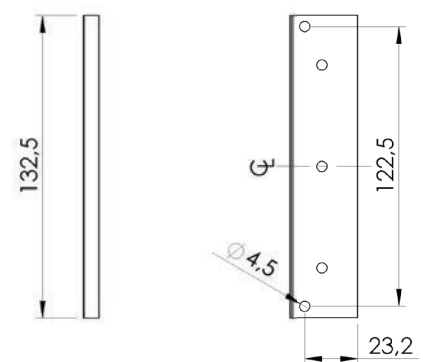
Material:  
Aluminium extrusion  
Finish:  
Passivated (conductive)



**3U**

**P/N: 223.501/103 01**

Material:  
Aluminium extrusion  
Finish:  
Passivated (conductive)



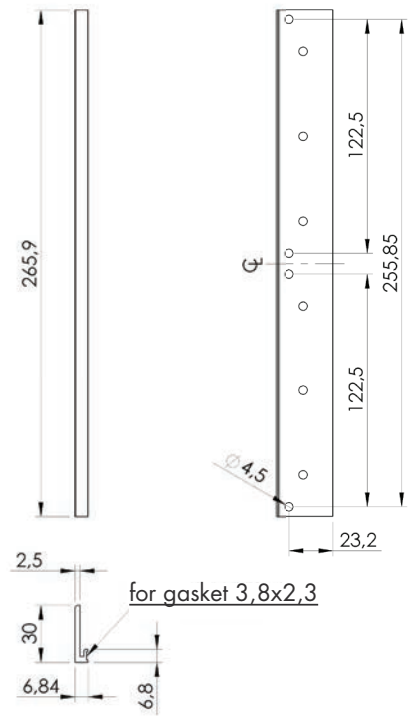
## Lateral rims 6U



**6U EMI**

**P/N:** 223.501/406 01

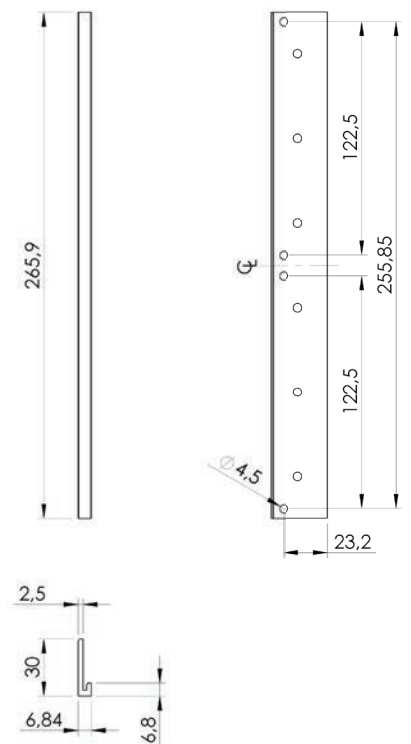
Material:  
Aluminium extrusion  
Finish:  
Passivated (conductive)



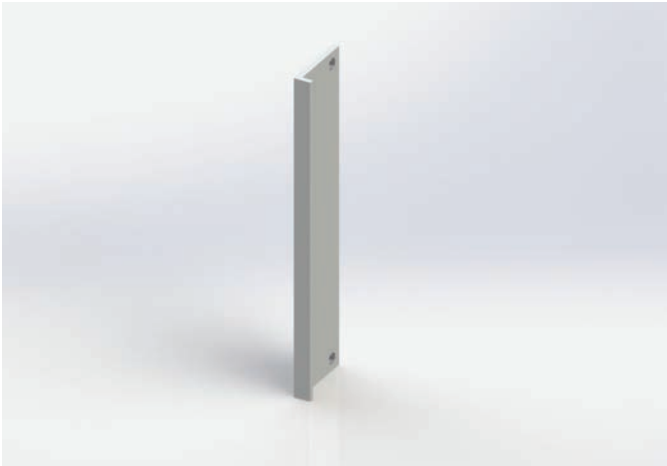
**6U**

**P/N:** 223.501/106 01

Material:  
Aluminium extrusion  
Finish:  
Passivated (conductive)



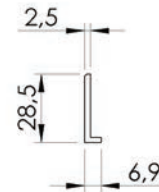
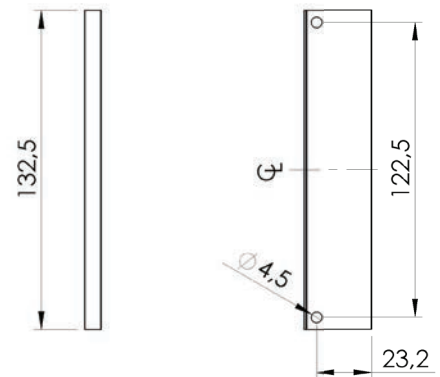
## Lateral rims 3U/6U Light



**3U**

**P/N:** 223.501/803 01

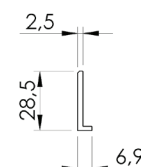
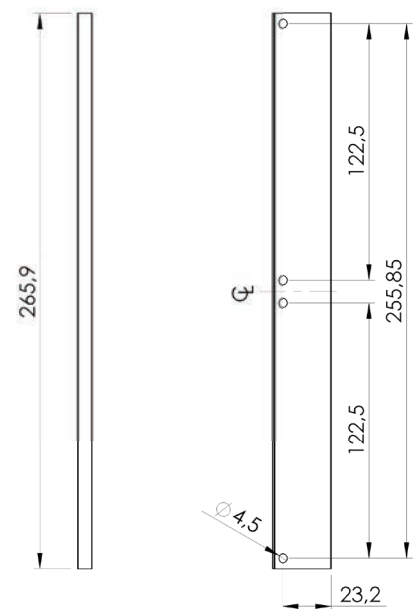
Material:  
Aluminium extrusion  
Finish:  
Passivated (conductive)



**6U**

**P/N:** 223.501/806 01

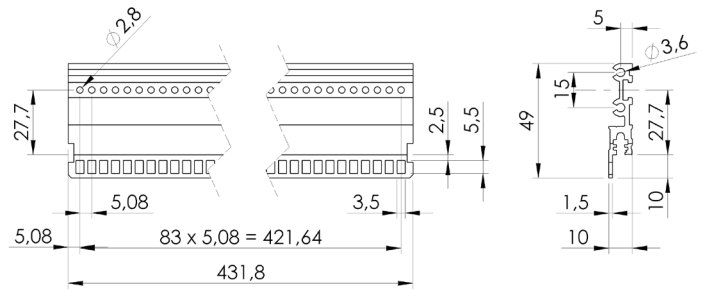
Material:  
Aluminium extrusion  
Finish:  
Passivated (conductive)



## Front crosspieces



**P/N:** 221.191/085C 01

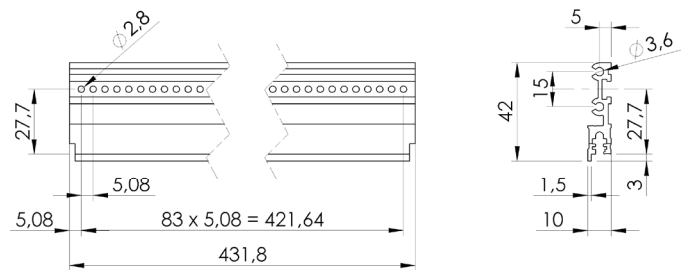


**CPCI Front crosspiece for extractors 85TE**

**Material:**  
Aluminium extrusion  
**Finish:**  
Passivated (conductive)



**P/N:** 221.192/085C 01

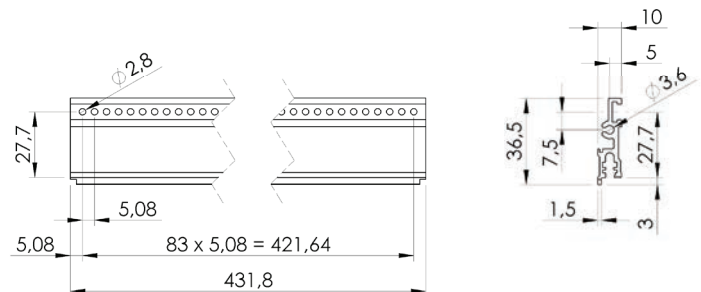


**Front crosspiece 85TE**

**Material:**  
Aluminium extrusion  
**Finish:**  
Passivated (conductive)



**P/N:** 221.199/085C 01



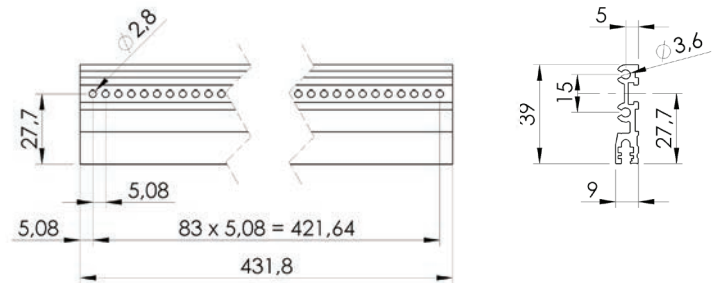
**Front crosspiece Light 85TE**

**Material:**  
Aluminium extrusion  
**Finish:**  
Passivated (conductive)

## Rear crosspieces



**P/N:** 221.193/085C 00



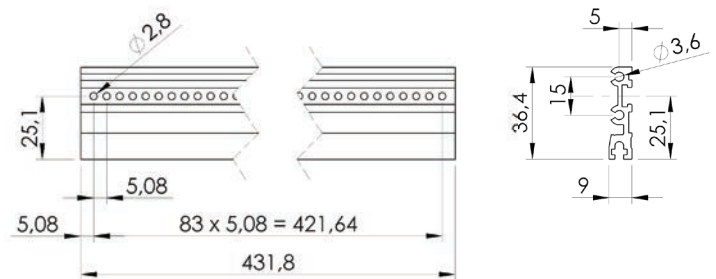
**EMI rear crosspiece 85TE**

Material:  
Aluminium extrusion

Finish:  
Passivated (conductive)



**P/N:** 221.194/085C 00



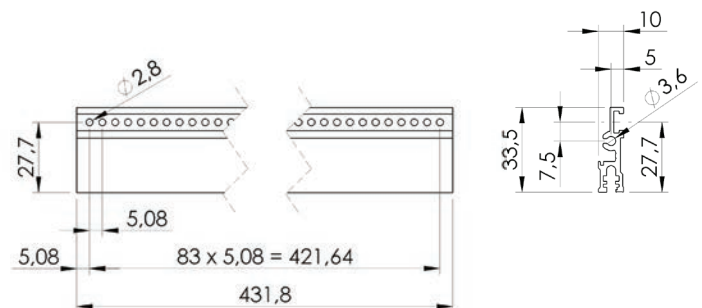
**Univ. rear crosspiece 85TE**

Material:  
Aluminium extrusion

Finish:  
Passivated (conductive)



**P/N:** 221.200/085C 00



**EMI rear crosspiece Light 85TE**

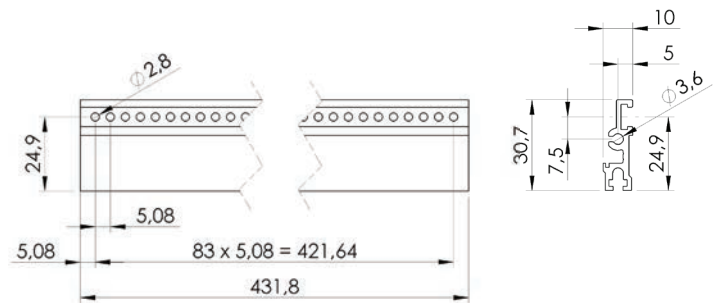
Material:  
Aluminium extrusion

Finish:  
Passivated (conductive)

## Rear and Mezzanine crosspieces



**P/N:** 221.201/085C 00



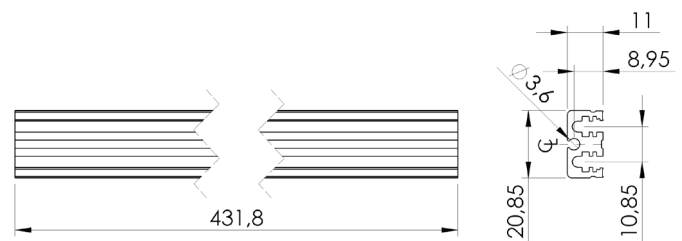
**Univ. rear crosspiece Light 85TE**

Material:  
Aluminium extrusion

Finish:  
Passivated (conductive)



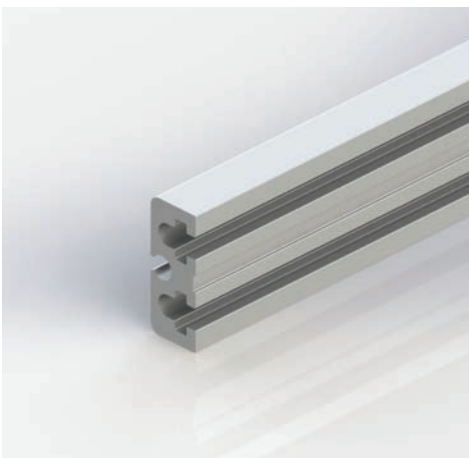
**P/N:** 221.195/085C 00



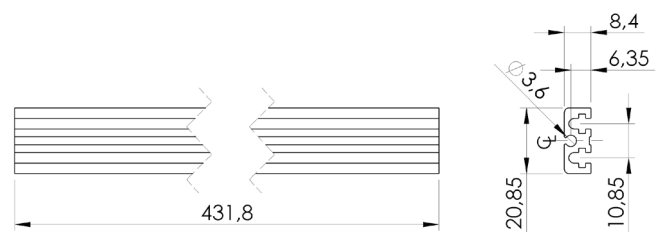
**EMI Mezzanine crosspiece 85TE**

Material:  
Aluminium extrusion

Finish:  
Passivated (conductive)



**P/N:** 221.196/085C 00



**Univ. Mezzanine crosspiece 85TE**

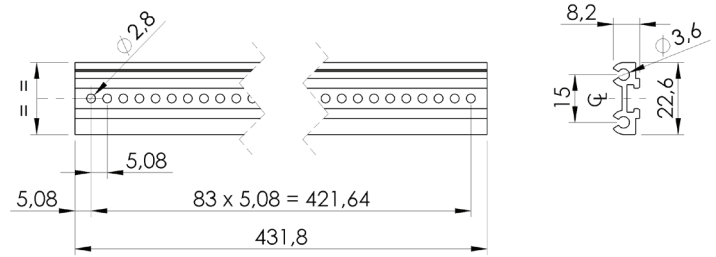
Material:  
Aluminium extrusion

Finish:  
Passivated (conductive)

Support crosspiece and shielding profile



P/N: 221.197/085C 00

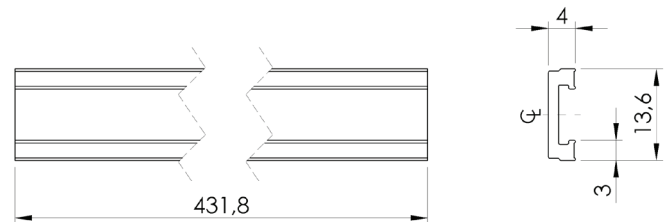


Support crosspiece for card guides 85TE

Material:  
Aluminium extrusion  
Finish:  
Passivated (conductive)

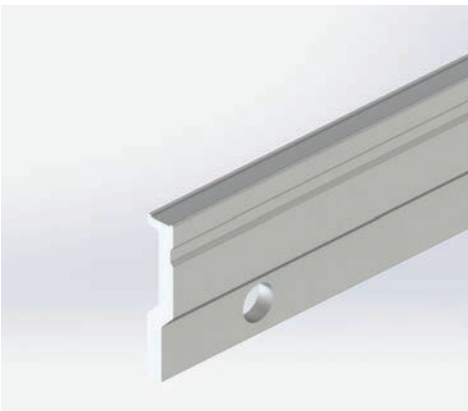


P/N: 221.198/085C 00



Profile for shielding front crosspieces 85TE

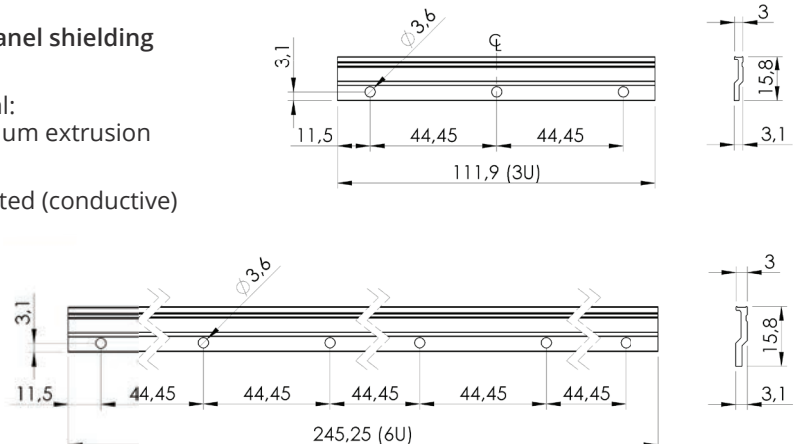
Material:  
Aluminium extrusion  
Finish:  
Passivated (conductive)



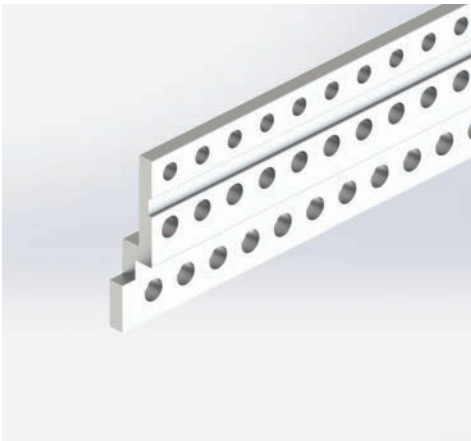
P/N 3U: 223.501/903 00  
P/N 6U: 223.501/906 00

Back panel shielding profile

Material:  
Aluminium extrusion  
Finish:  
Passivated (conductive)



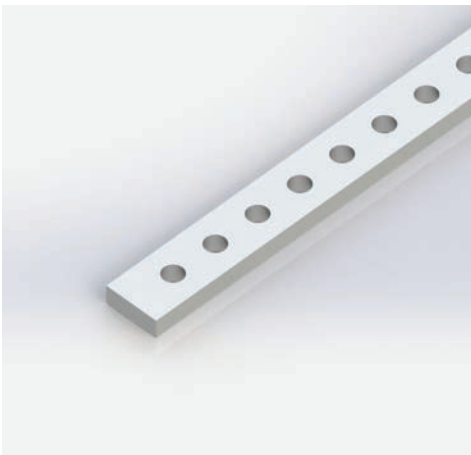
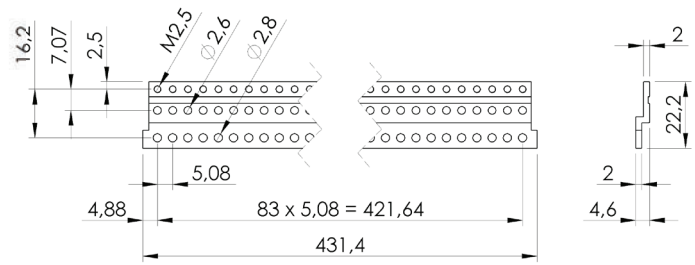
DIN41612 crosspiece - bars and insulating strip



P/N: 221.206/085C 00

DIN41612 Back crosspiece 85TE

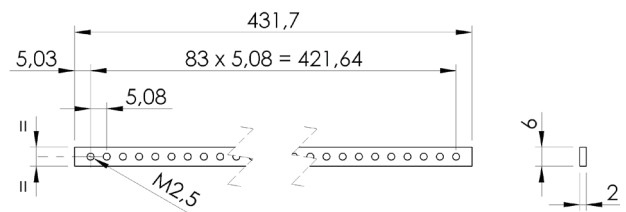
Material:  
Aluminium extrusion  
Finish:  
Passivated (conductive)



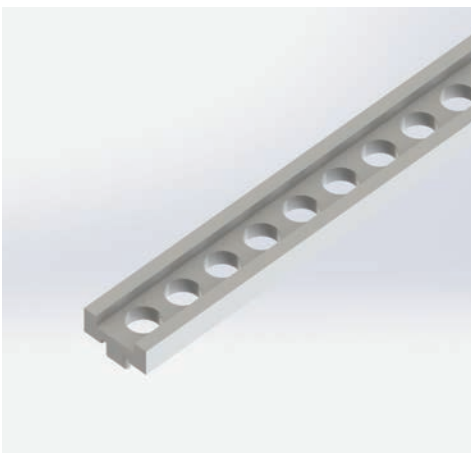
P/N: 234.013/085 00

M2,5 Threaded 6x2 85TE

Material:  
Steel  
Finish:  
Zinc plated



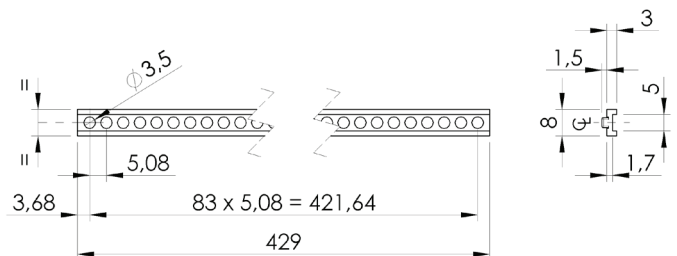
Material:  
Stainless steel  
P/N: 234.013/385 00



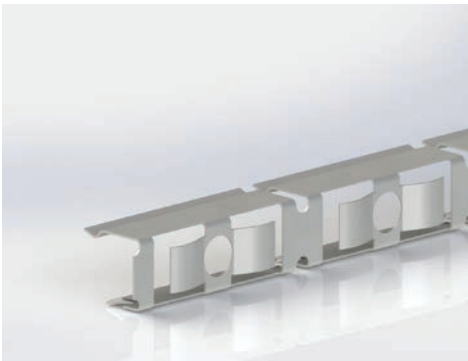
P/N: 234.150

Insulating strip 85TE

Material:  
Noryl UL94-V0, Grey

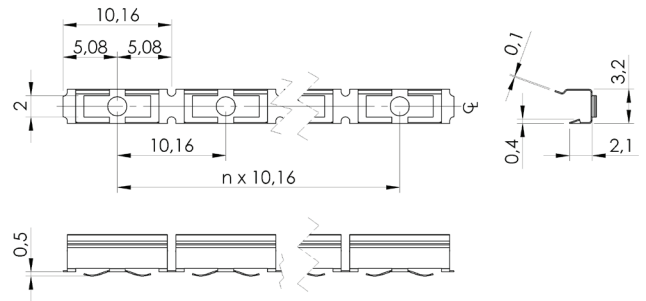


Contact strip for crosspieces - Numbered strip and vertical division 6U

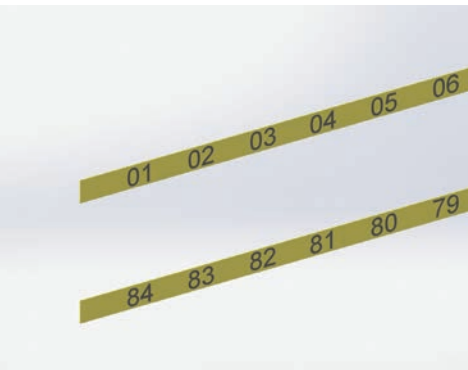


Contact strip for crosspieces

Material:  
Stainless steel

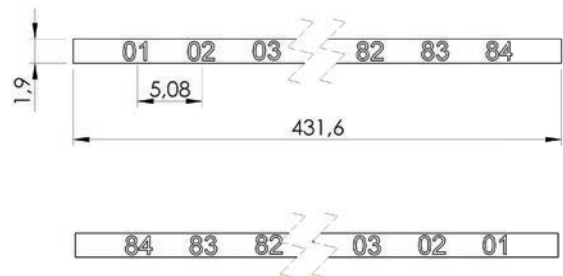


P/N: 634.110/016 00



Numbered strip

Material:  
Yellow PVC



N° 01-84 P/N: 800.000

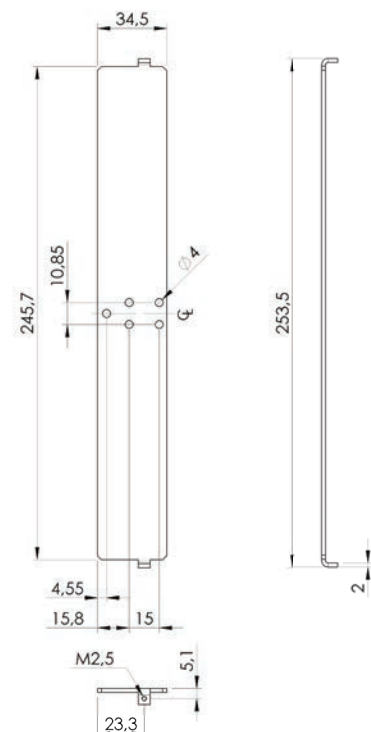
N° 84-01 P/N: 800.001



6U Vertical division  
3U + 3U

Material:  
Aluminium

Finish:  
Passivated (conductive)



P/N: 141.500/250 00

## Accessories



Thread forming screw  
crosshead M4X16 for  
fixing the crosspieces

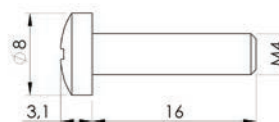
Material:  
Stainless steel

**P/N:** 1183664

Material:  
Steel

Finish:  
Zinc plated

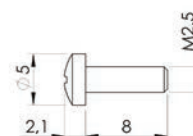
**P/N:** 444.004



Ph. cross recessed pan  
head screw M2,5X8  
for fixing DIN41612  
crosspieces and insulating  
strip

Material:  
Stainless steel

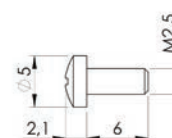
**P/N:** 401.140



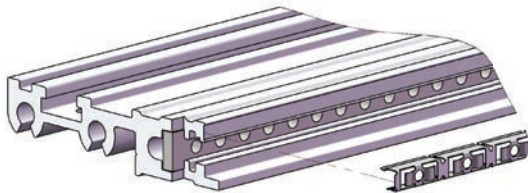
Ph. cross recessed pan  
head screw M2,5X6 for  
fixing 6U vertical division

Material:  
Stainless steel

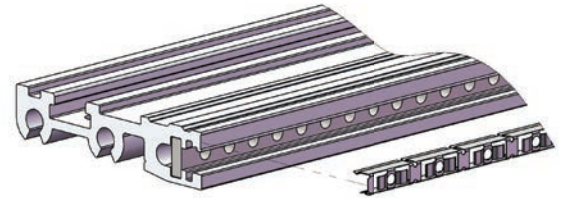
**P/N:** 401.146



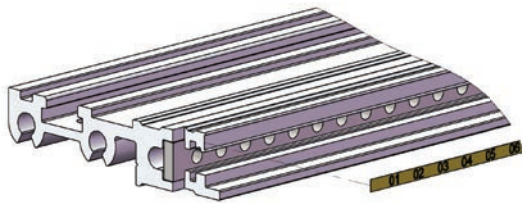
## Examples of mounting



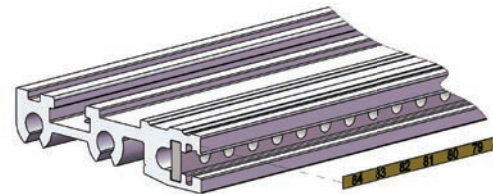
EMI Contact strip (front crosspiece)



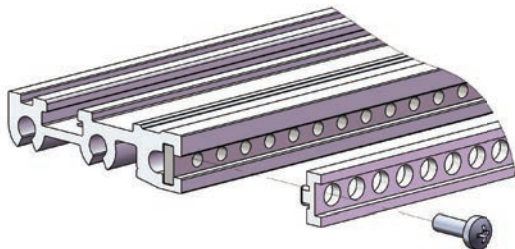
EMI Contact strip (back crosspiece)



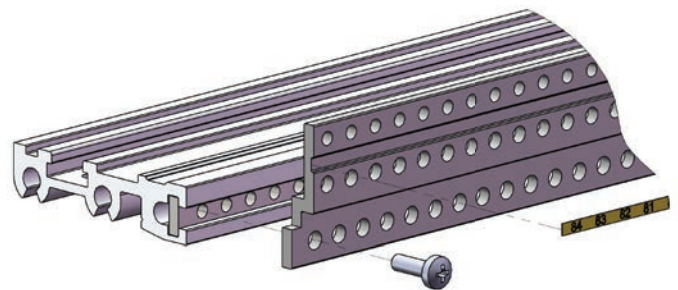
Numbered strip (front crosspiece)



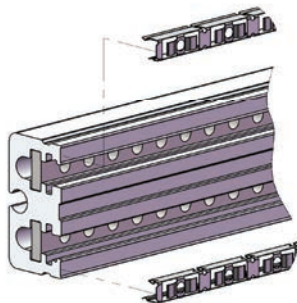
Numbered strip (back crosspiece)



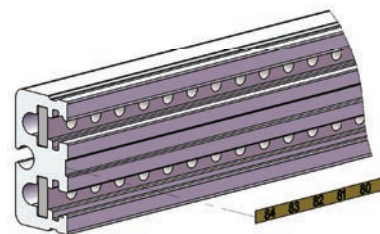
Insulating strip (mezz. crosspiece)



DIN 41612 back crosspiece

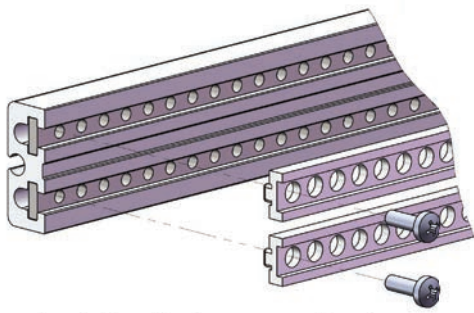


EMI Contact strip (mezz. crosspiece)

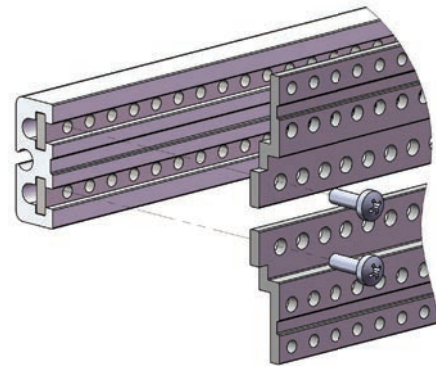


Numbered strip (mezz. crosspiece)

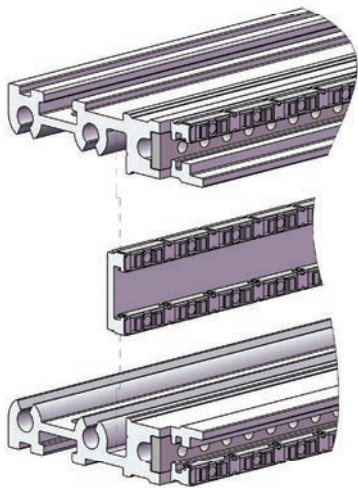
## Examples of mounting



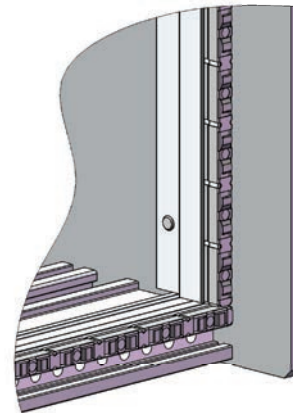
Insulating strip (mezz. crosspiece)



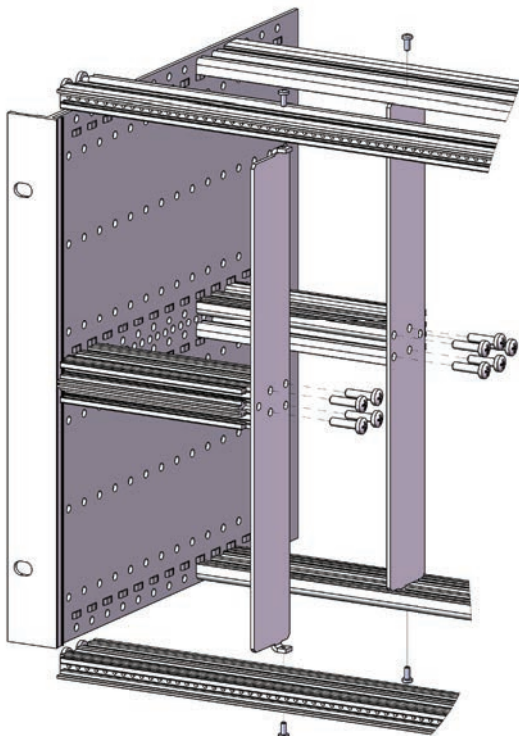
DIN41612 mezzanine back crosspiece



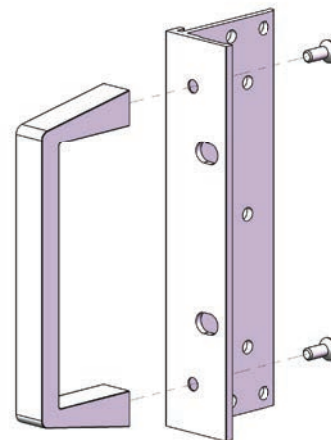
Shielding front crosspieces



Shielding back panel



6U Vertical division (3U+3U)



Handle

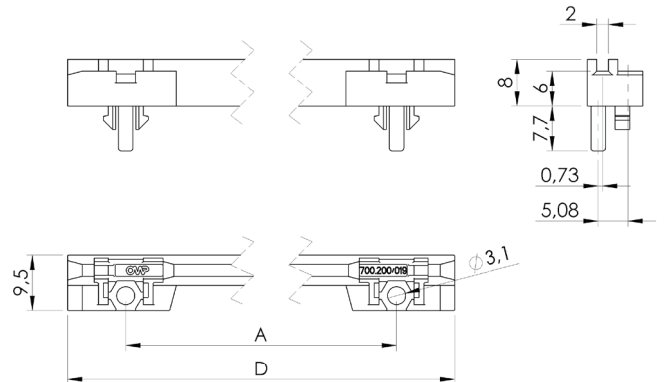
## Board guides rail - Reinforced - Polarizers



Board guides rail

Material:  
Polycarbonate UL 94 V-0  
(colour blue)

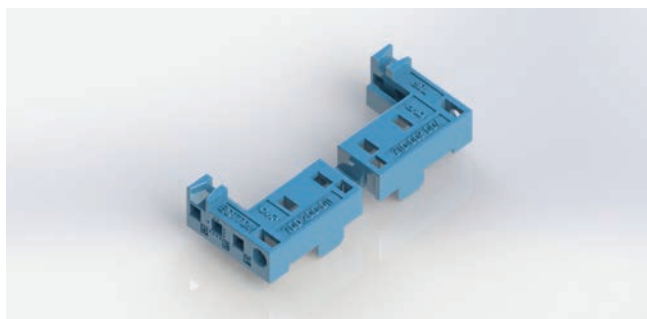
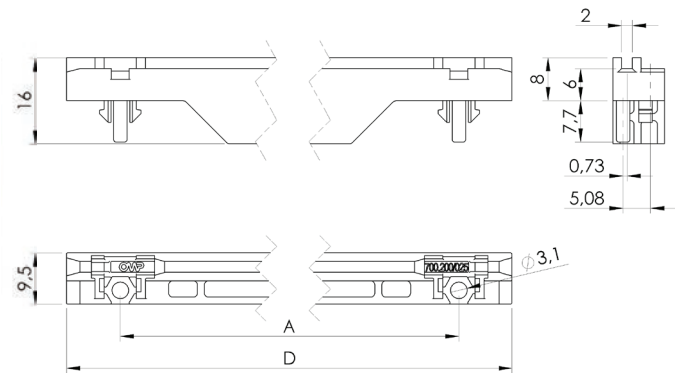
Depth	A	D	P/N
80	45	65	700.200/019A
160	120	140	700.200/015A
220	180	200	700.200/016A



Reinforced board guides rail

Material:  
Polycarbonate UL 94 V-0  
(colour blue)

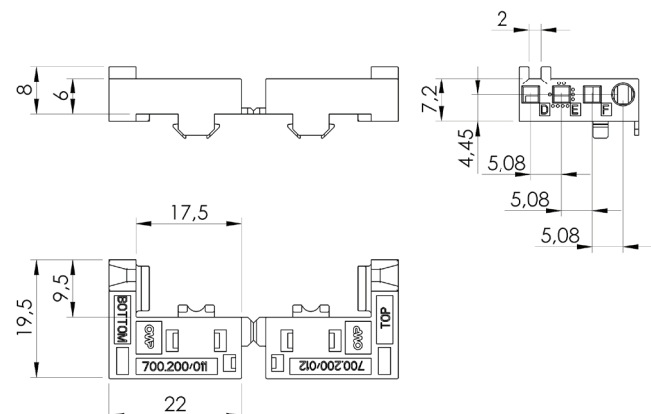
Depth	A	D	P/N
160	120	140	700.200/025A
220	180	200	700.200/026A



Polarizers (pair)

**P/N: 700.200/013A**

Material:  
Polycarbonate UL 94 V-0  
(colour blue)



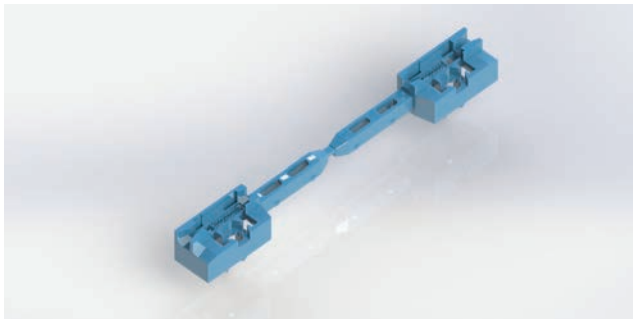
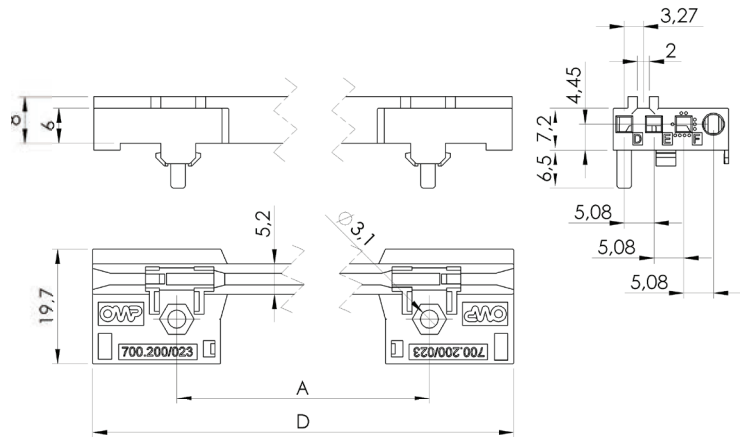
## Board guides rail with offset 2,54 for power supply units – End coupling



CPCI Board guides rail with offset 2,54 for power supply units

Material:  
Polycarbonate UL 94 V-0  
(colour green)

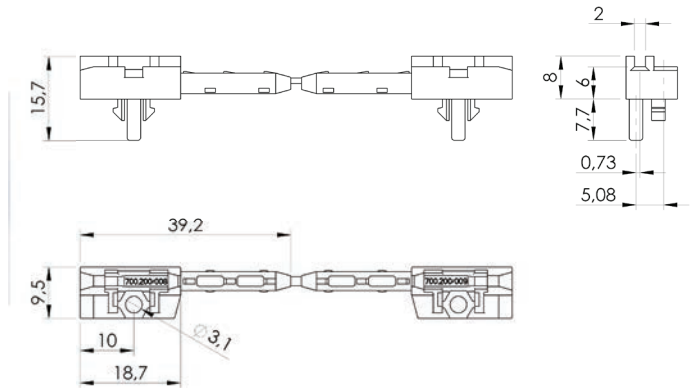
Depth	A	D	P/N
160	120	149	700.200/023A
220	180	209	700.200/024A



End coupling (pair)

P/N: 700.200/010A

Material:  
Polycarbonate UL 94 V-0  
(colour blue)



Al extension profile for end coupling

Material:  
Aluminium extrusion

Finish:  
Anodised, natural

Depth	A	P/N
/	1000	510.025/001
160	102,6	202.070/102
220	162,6	202.070/162
280	222,6	202.070/222

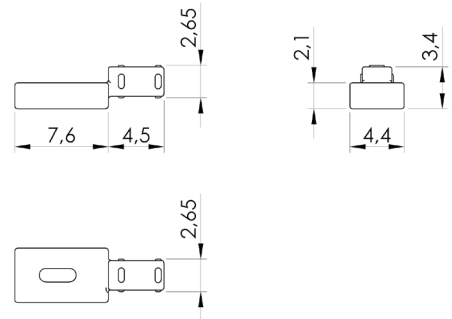


Coding keys – Board holder



Coding keys

Material:  
Polycarbonate UL 94 V-0  
(colour, grey)

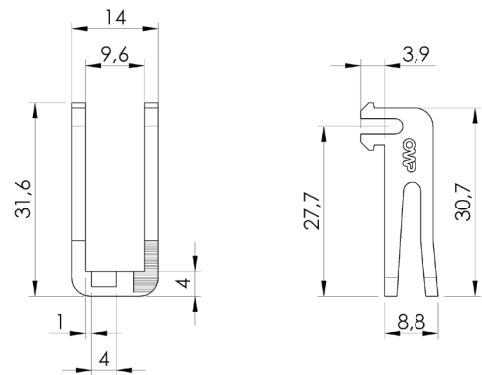


P/N: 700.200/014



Left board holder

Material:  
Lexan UL 94 V-0  
(colour, blue)

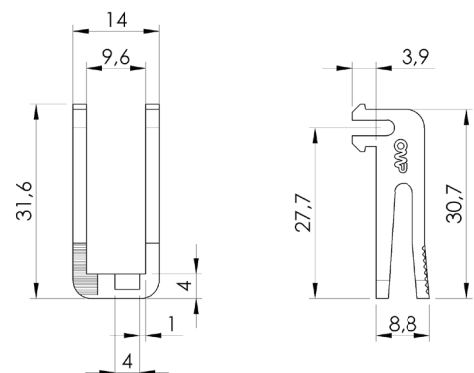


P/N: 700.200/027 00



Right board holder

Material:  
Lexan UL 94 V-0  
(colour, blue)

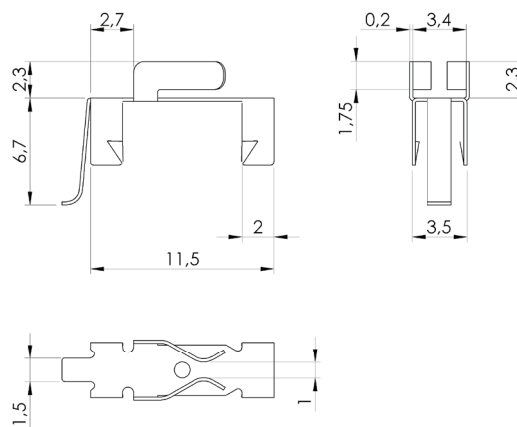


P/N: 700.200/028 00

## ESD clips



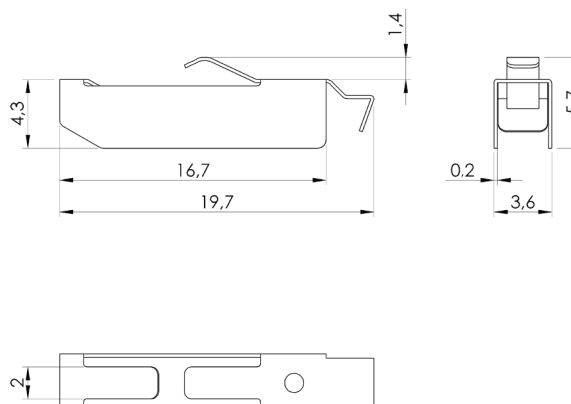
**ESD clip**  
Material:  
Stainless steel



**P/N:** 180.000/008



**ESD clip, alignment for polarizer**  
Material:  
Stainless steel



**P/N:** 180.000/009

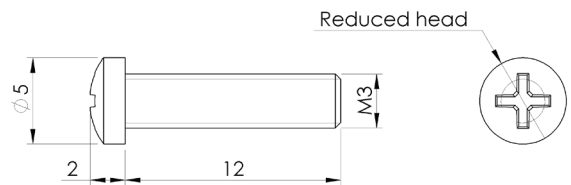
Board guide rail Accessories



M3X12 thread forming screw with reduced crosshead for board guide mechanical fixing with crosspiece

Material:  
Stainless steel

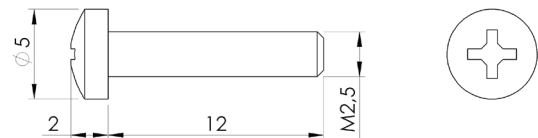
P/N: 200.002/061



Ph. cross recessed pan head screw M2,5X12 for mechanical fixing of the board guide with crosspiece

Material:  
Stainless steel

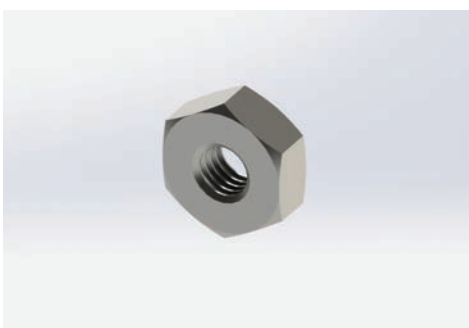
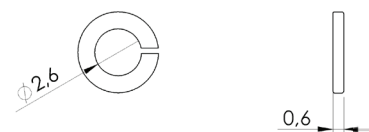
P/N: 401.142



Helical spring lock washer M2,5 DIN127B

Material:  
Stainless steel

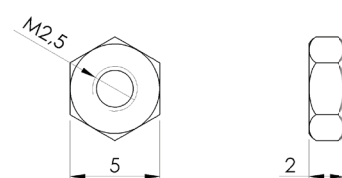
P/N: 422.101



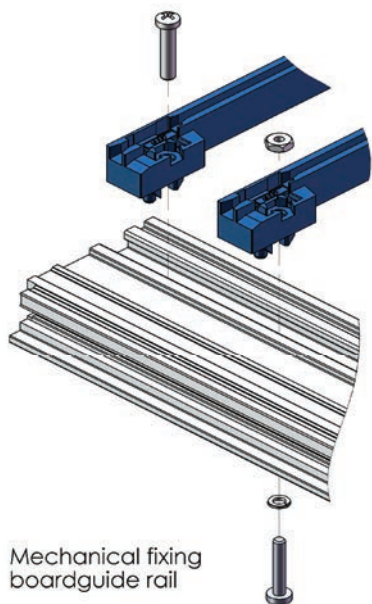
Hexagonal nut M2,5 DIN934

Material:  
Stainless steel

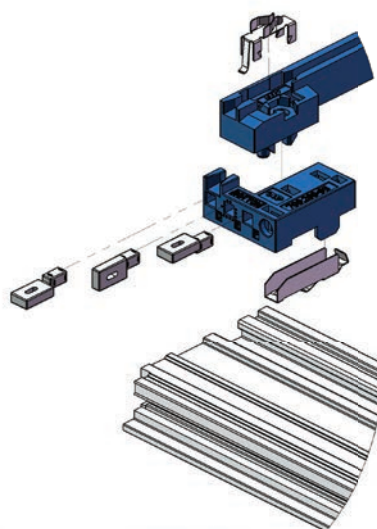
P/N: 411.101



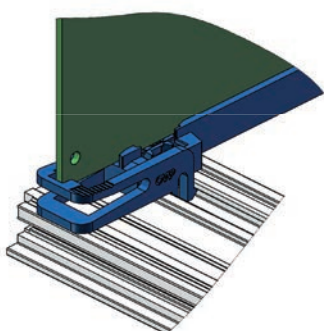
## Examples of mounting



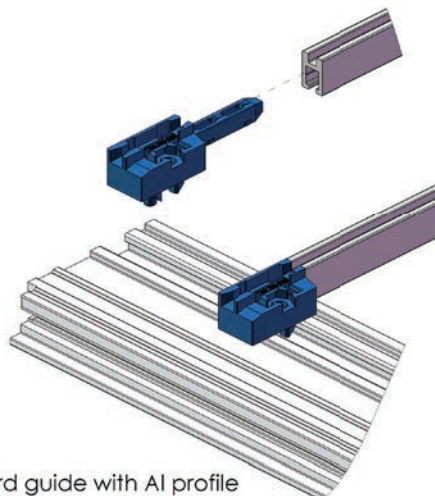
Mechanical fixing boardguide rail



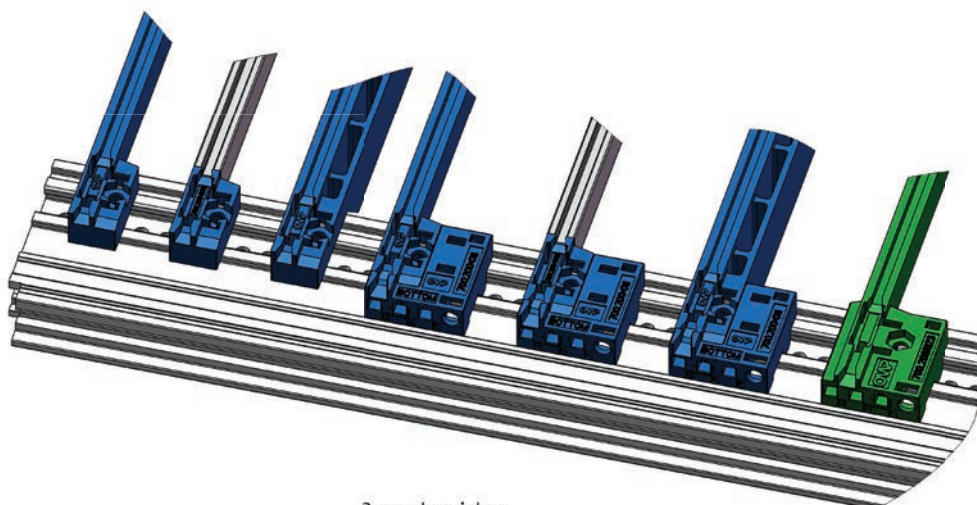
Accessories boardguide rail



Board holder for PCB without front panel

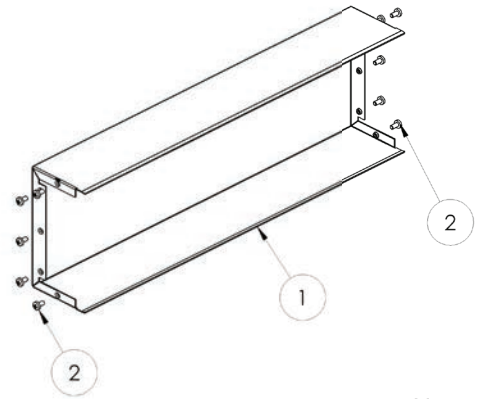


Board guide with Al profile



Board guides

## Back covers panel kit 3U 85TE - 6U 85TE



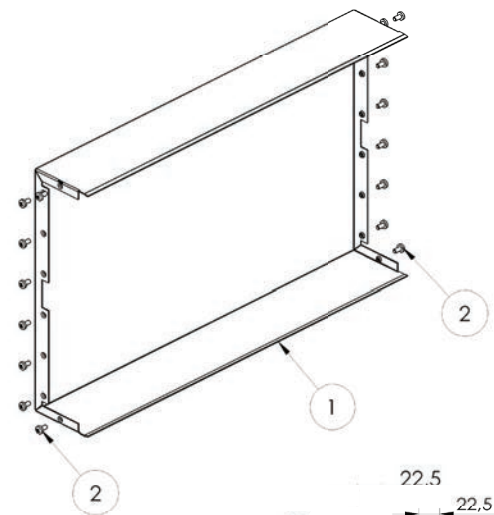
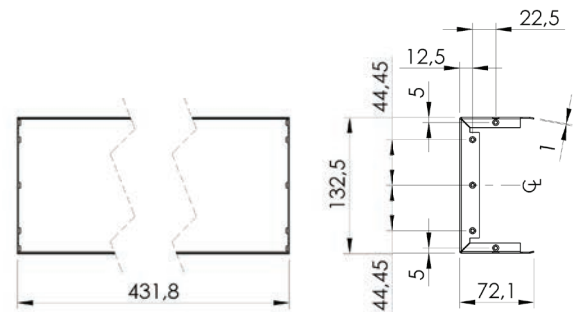
B.O.M.			
Pos.	P/N	Description	Q.ty
1	100.151/032 00	Cover side panel 3U 85TE	1
2	444.001	Thread forming screw M4x8	10

Back cover panel kit 3U 85TE

P/N: 081.503/832 00

Material:  
Aluminium

Finish:  
Passivated (conductive)



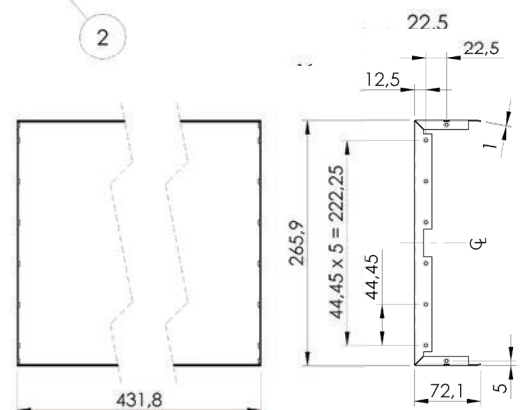
B.O.M.			
Pos.	P/N	Description	Q.ty
1	100.151/062 00	Cover side panel 6U 85TE	1
2	444.001	Thread forming screw M4x8	16

Back cover panel kit 6U 85TE

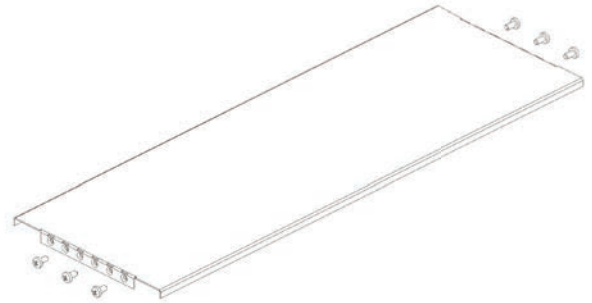
P/N: 081.503/862 00

Material:  
Aluminium

Finish:  
Passivated (conductive)

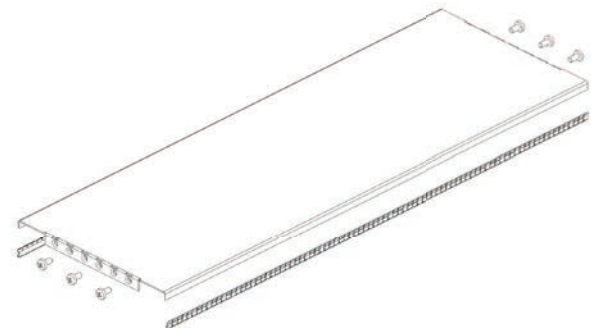
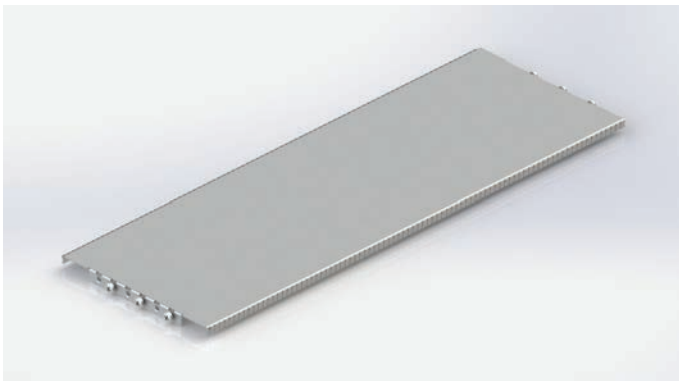


## Top / Bottom covers kit



Top / Bottom cover kit (85TE)

Depth	P/N	N. Screws
160	081.503/022	6
220	081.503/023	10
280	081.503/024	14



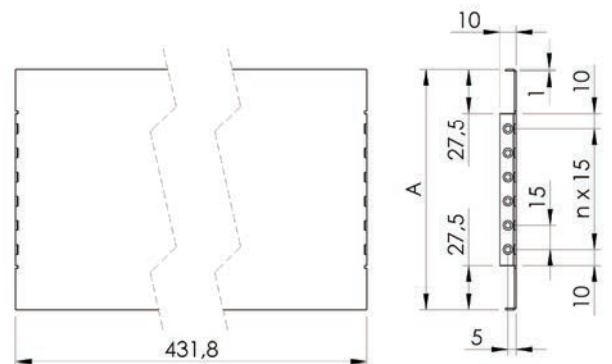
Top / Bottom cover kit EMI (85TE)

Depth	P/N	N. Screws	N. Fingers
160	081.503/222	6	2
220	081.503/223	10	2
280	081.503/224	14	2

Top / Bottom cover (85TE)

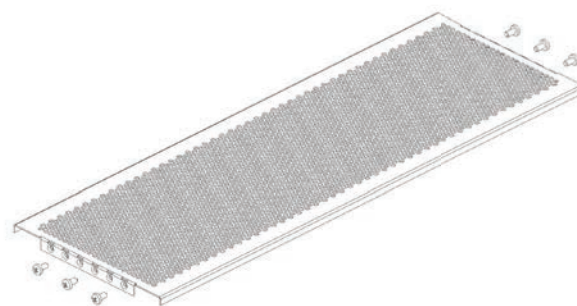
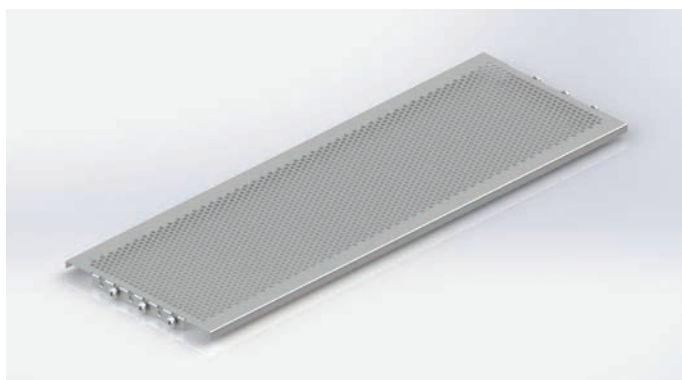
Material:  
Aluminium  
Finish:  
Passivated (conductive)

Depth	P/N	A
160	102.291/022	150
220	102.291/023	210
280	102.291/024	270



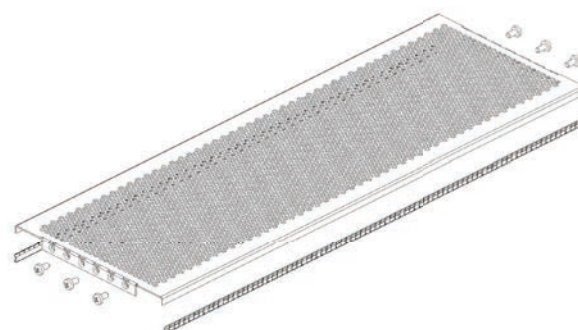
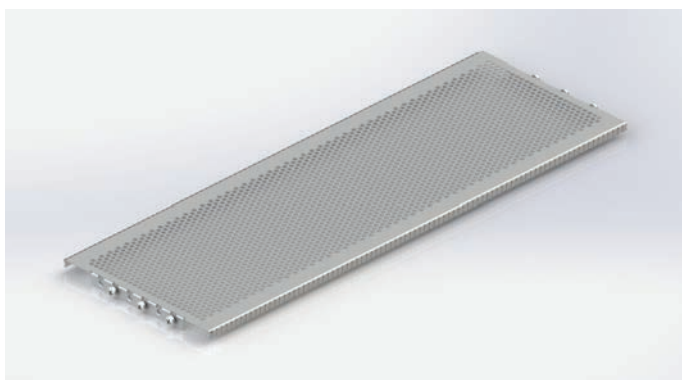


## Top / Bottom perforated covers kit (Ø4mm holes)



Top / Bottom perforated cover kit (Ø4 85TE)

Depth	P/N	N. Screws
160	081.503/122	6
220	081.503/123	10
280	081.503/124	14



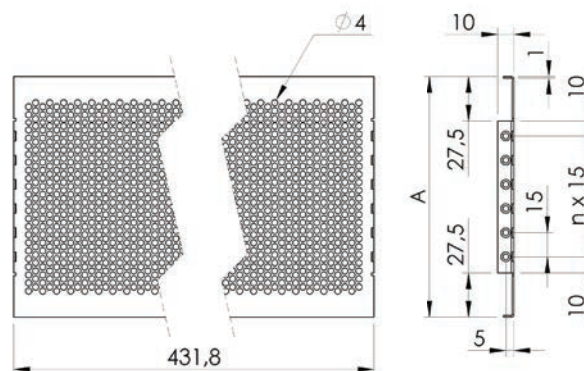
Top / Bottom perforated cover kit EMI (Ø4 85TE)

Depth	P/N	N. Screws	N. Fingers
160	081.503/322	6	2
220	081.503/323	10	2
280	081.503/324	14	2

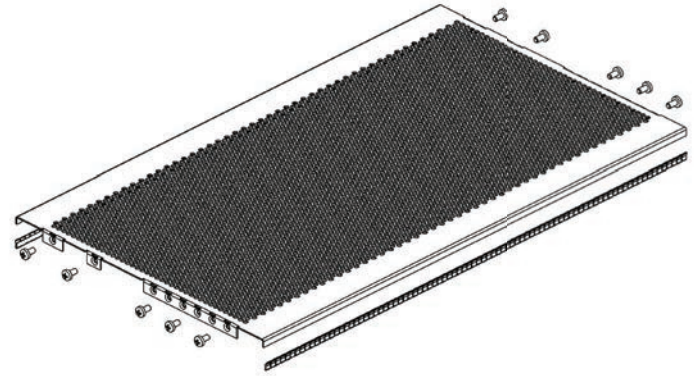
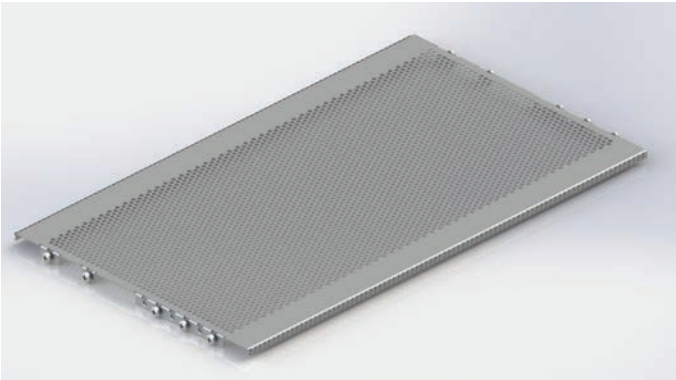
Top / Bottom perforated cover (Ø4 85TE)

Material:  
Aluminium  
Finish:  
Passivated (conductive)

Depth	P/N	A
160	102.291/122	150
220	102.291/123	210
280	102.291/124	270



## Top / Bottom covers kit EMI rear I/O 160/80 (Ø2 / Ø4mm holes)



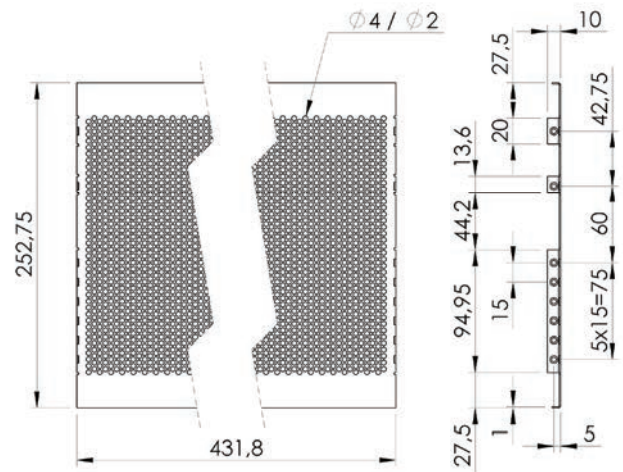
Top / Bottom cover kit EMI Rear I/O, 160/80 deep (85TE)

Ø	P/N	N. Screws	N. Fingers
2	081.503/613	10	2
4	081.503/713	10	2

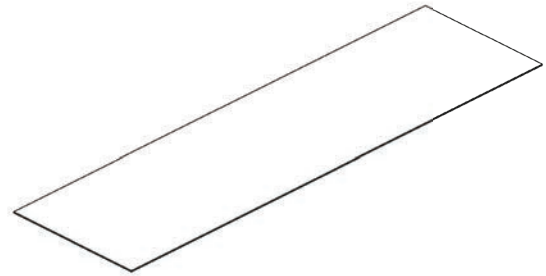
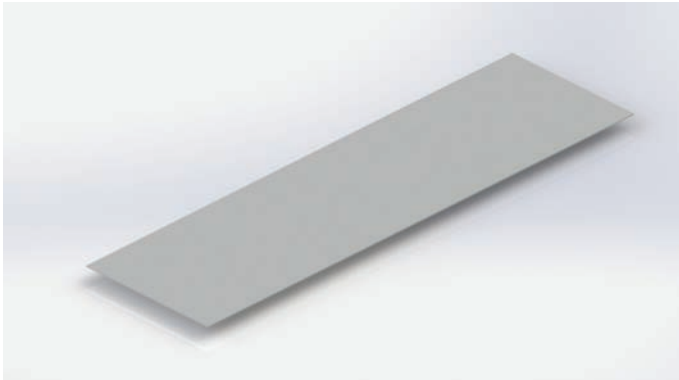
Top / Bottom cover Rear I/O, 160/80 deep (85TE)

Material:  
Aluminium  
Finish:  
Passivated (conductive)

Ø	P/N
2	102.291/406
4	102.291/506

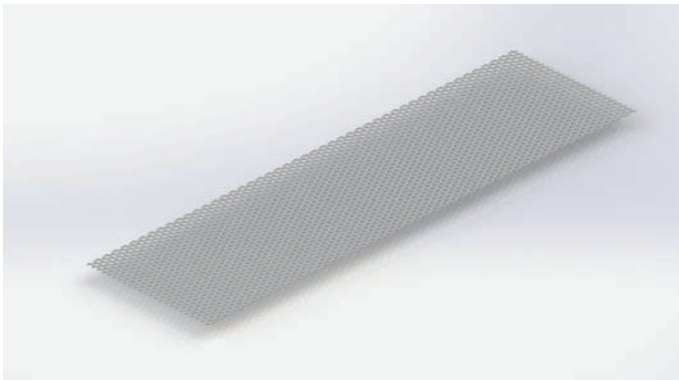


## ▶ Top / Bottom covers Light (Blind, Ø2, Ø4)



### Top / Bottom covers blind (85TE)

Depth	P/N	A
160	102.291/050	153,5
220	102.291/051	213,5

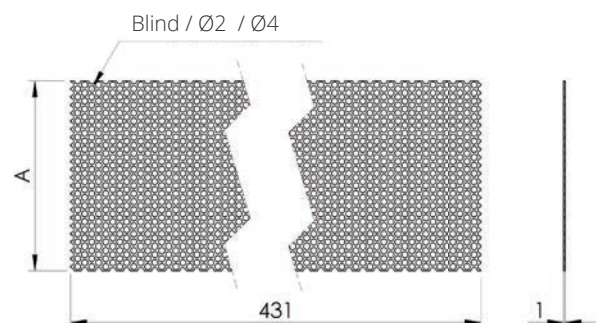


### Top / Bottom perforated covers Ø2 - Ø4 (85TE)

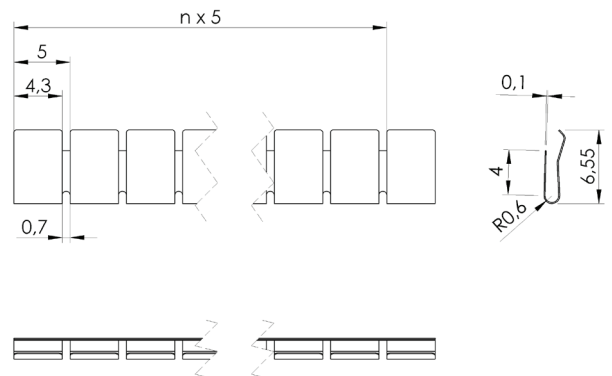
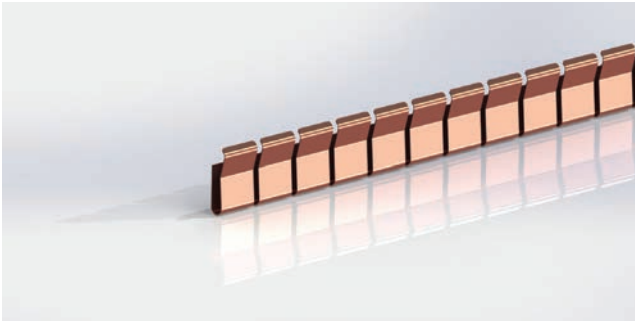
Ø	Depth	P/N	A
2	160	102.291/250	153,5
2	220	102.291/251	213,5
4	160	102.291/150	153,5
4	220	102.291/151	213,5

### Top / Bottom covers

Material:  
Aluminium  
Finish:  
Passivated (conductive)



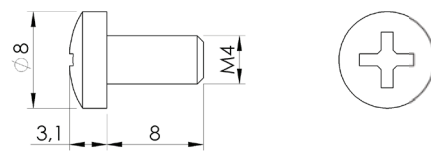
## Contact strip for top/bottom cover and screw



Contact strip top and bottom cover

**P/N:** 634.110/012

Material:  
Copper (CuBe)

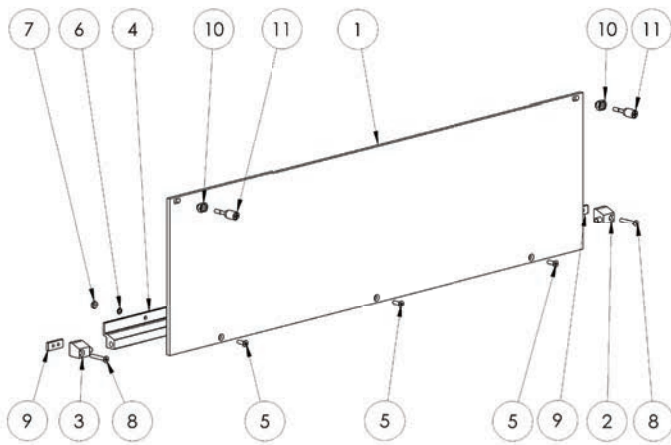
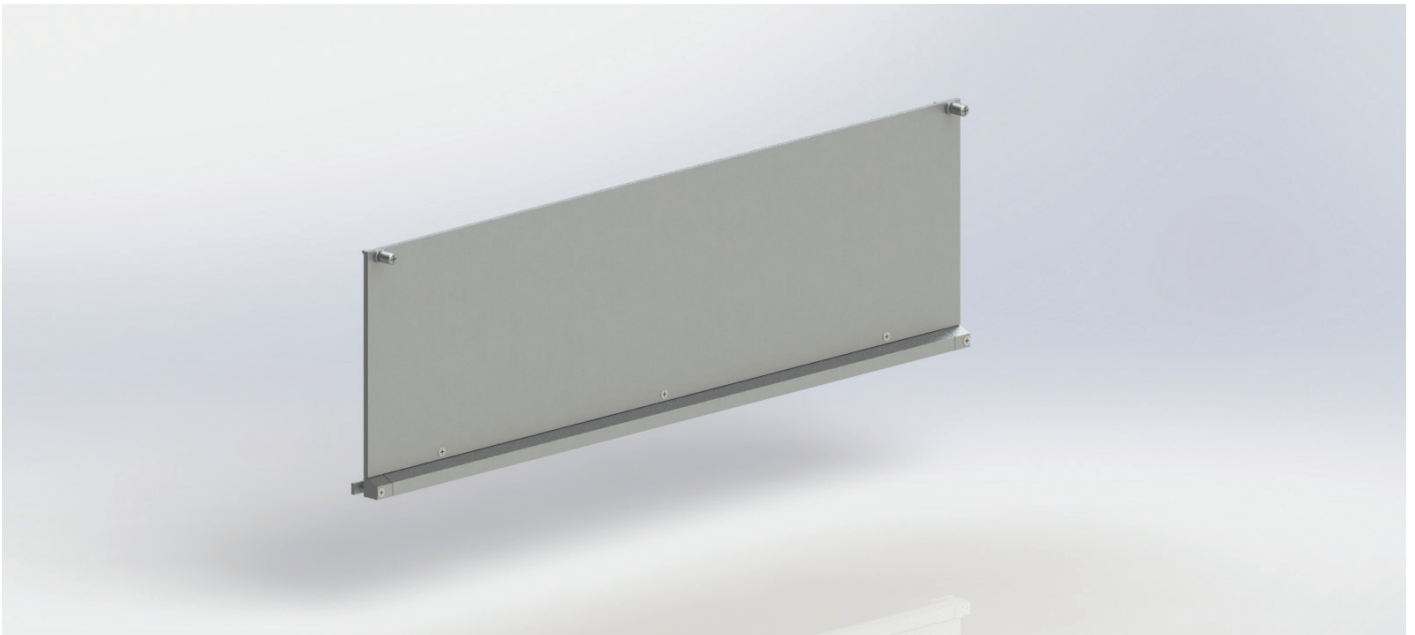


Thread forming screw crosshead M4X8

**P/N:** 444.001

Material:  
Steel  
Finish:  
Zinc plated

## Kit 3U 84TE Front cover with horizontal hinge

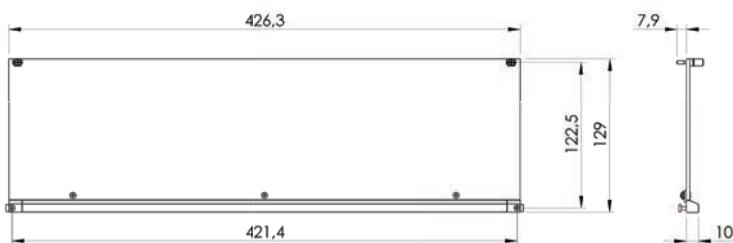


B.O.M.			
Pos.	P/N	Description	Q.ty
1	103.600/250 00	Front panel 3U 84TE	1
2	202.030C	Right Hinge	1
3	202.031C	Left Hinge	1
4	234.100C	Horizontal Hinge 84TE	1
5	401.011	Countersunk screw M2,5x8	3
6	422.001	Helical spring lock washer Ø2,6	3
7	411.001	Hexagonal nut M2,5	3
8	401.015	Countersunk screw M2,5x16	2
9	234.013/003 00	Fastening bar M2,5 3TE	2
10	210.004/001 00	Bush for front panel M2,5	2
11	409.000/001 00	Knob M2,5	2

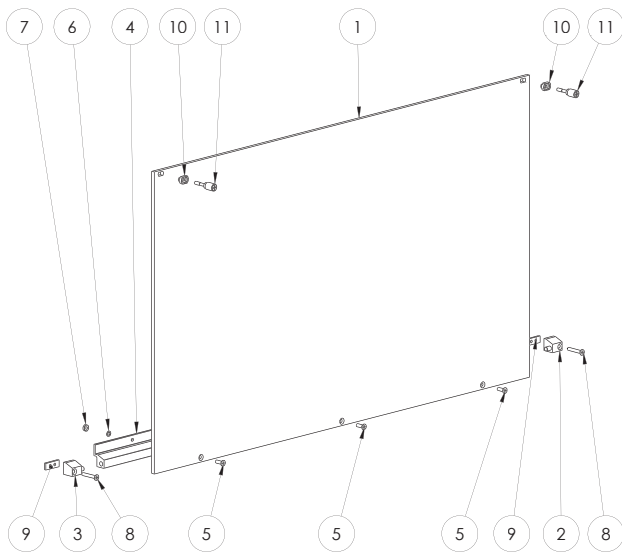
Material:  
Aluminium

**P/N:** 081.501/103 00

Finish:  
Passivated (conductive)



## Kit 6U 84TE Front cover with horizontal hinge

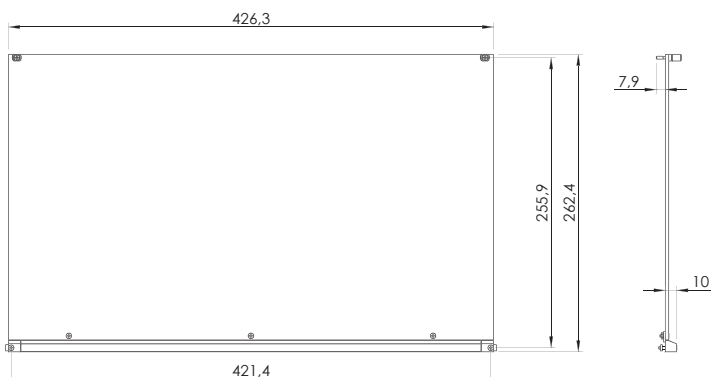


B.O.M.			
Pos.	P/N	Description	Q.ty
1	103.600/253 00	Front panel 6U 84TE	1
2	202.030C	Right Hinge	1
3	202.031C	Left Hinge	1
4	234.100C	Horizontal Hinge 84TE	1
5	401.011	Countersunk screw M2,5x8	3
6	422.001	Helical spring lock washer Ø2,6	3
7	411.001	Hexagonal nut M2,5	3
8	401.015	Countersunk screw M2,5x16	2
9	234.013/003 00	Fastening bar M2,5 3TE	2
10	210.004/001 00	Bush for front panel M2,5	2
11	409.000/001 00	Knob M2,5	2

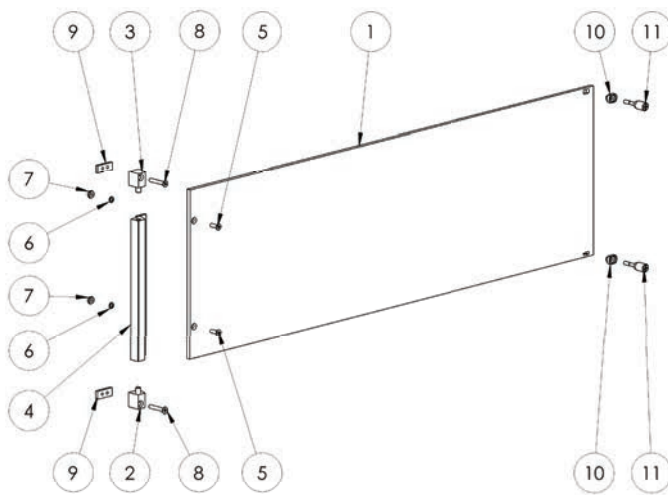
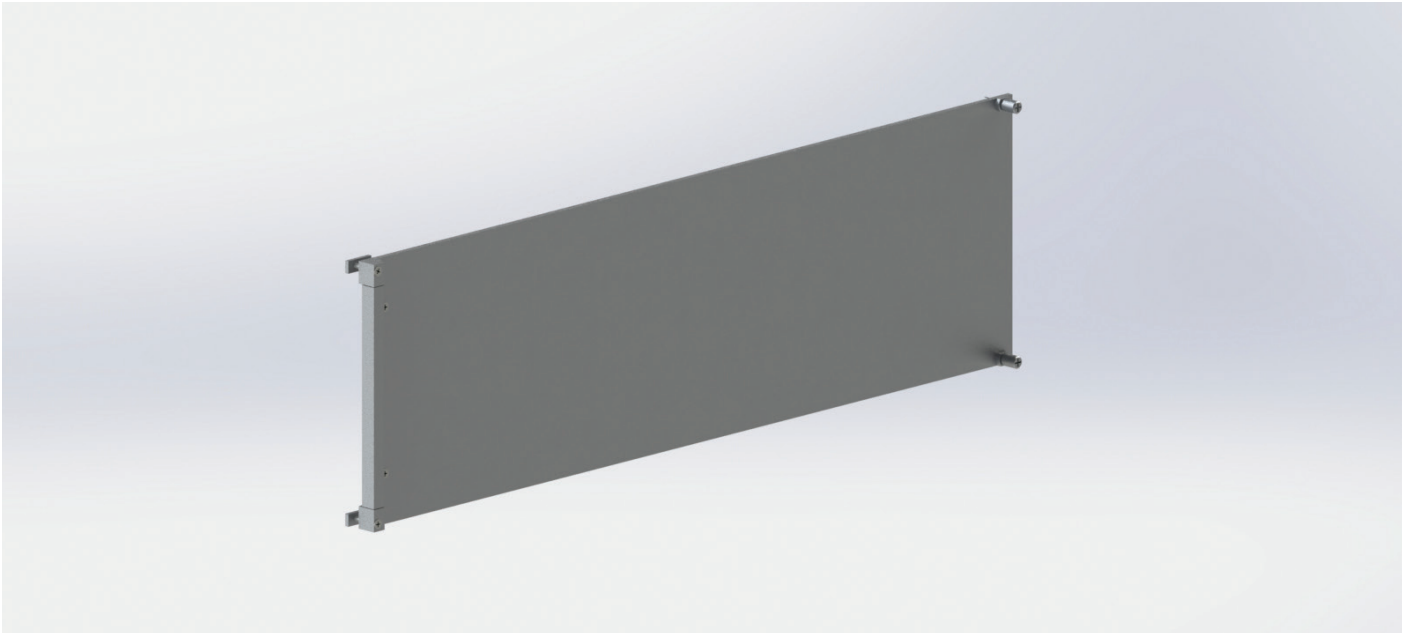
Material:  
Aluminium

**P/N: 081.501/106 00**

Finish:  
Passivated (conductive)



## Kit 3U 84TE Front cover with vertical hinge

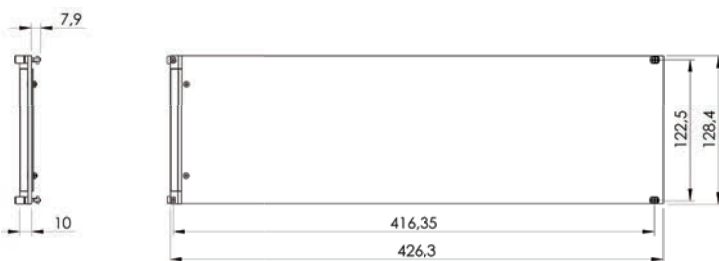


B.O.M.			
Pos.	P/N	Description	Q.ty
1	103.600/260 00	Front panel 3U 84TE	1
2	202.090C	Bottom	1
3	202.091C	Top	1
4	234.120C	Vertical	1
5	401.011	Countersunk screw M2,5x8	2
6	422.001	Helical spring lock washer Ø2,6	2
7	411.001	Hexagonal nut M2,5	2
8	401.015	Countersunk screw M2,5x16	2
9	234.013/003 00	Fastening bar M2,5 3TE	2
10	210.004/001 00	Bush for front panel M2,5	2
11	409.000/001 00	Knob M2,5	2

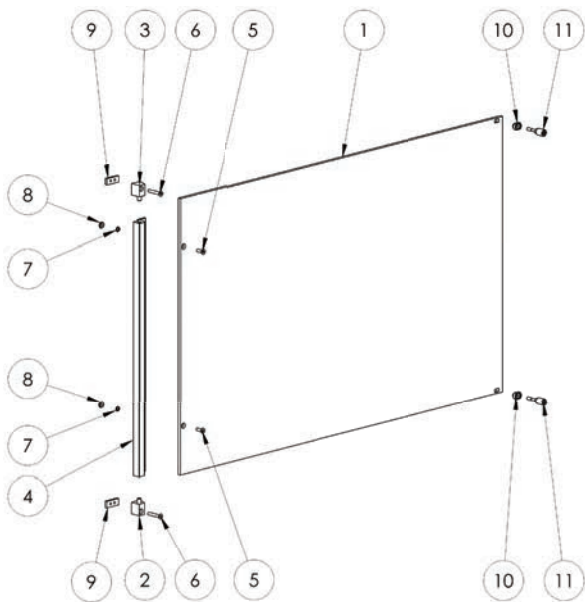
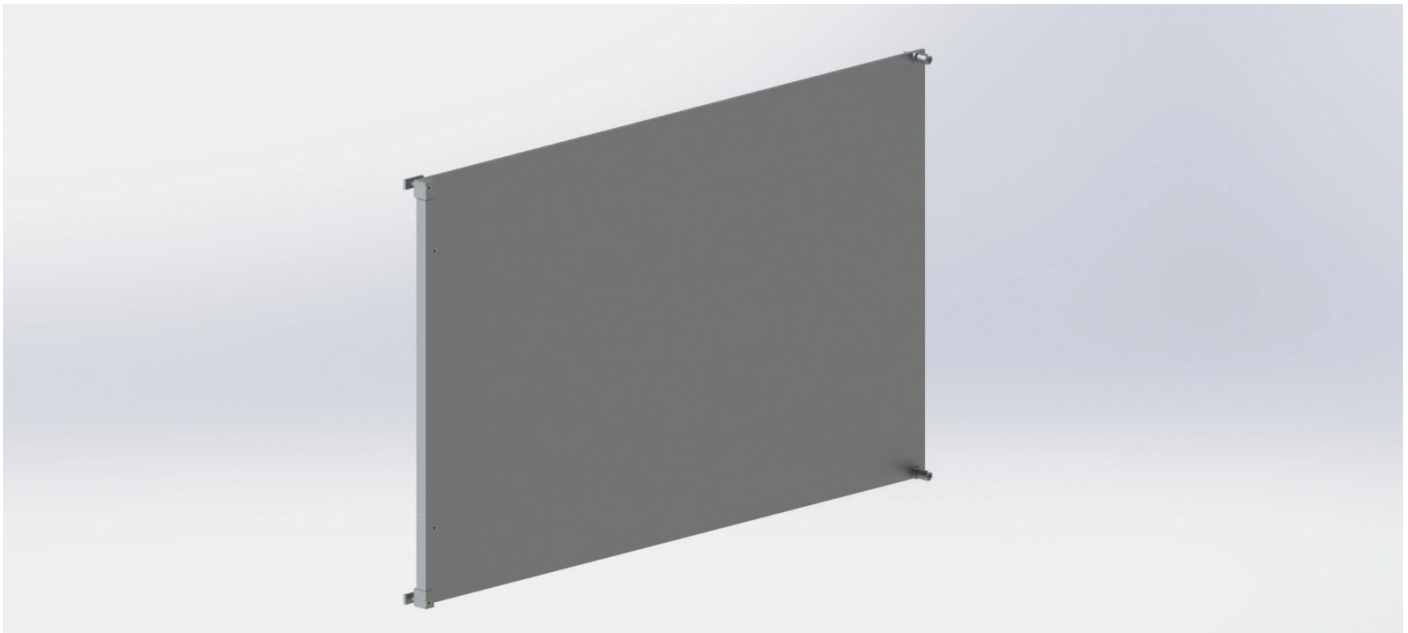
Material:  
Aluminium

**P/N:** 081.501/113 00

Finish:  
Passivated (conductive)



## Kit 6U 84TE Front cover with vertical hinge

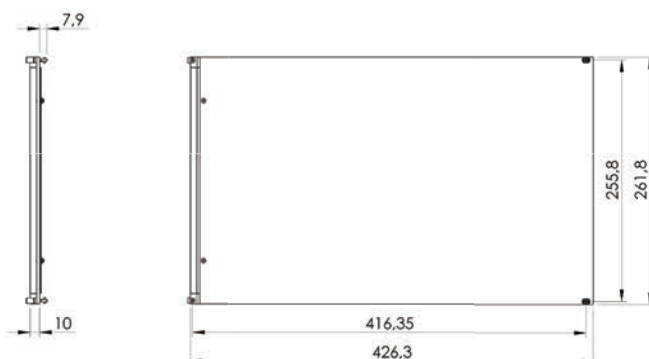


B.O.M.			
Pos.	P/N	Description	Q.ty
1	103.600/263 00	Front panel 6U 84TE	1
2	202.090C	Bottom	1
3	202.091C	Top	1
4	234.123C	Vertical	1
5	401.011	Countersunk screw M2,5x8	2
6	422.001	Helical spring lock washer Ø2,6	2
7	411.001	Hexagonal nut M2,5	2
8	401.015	Countersunk screw M2,5x16	2
9	234.013/003 00	Fastening bar M2,5 3TE	2
10	210.004/001 00	Bush for front panel M2,5	2
11	409.000/001 00	Knob M2,5	2

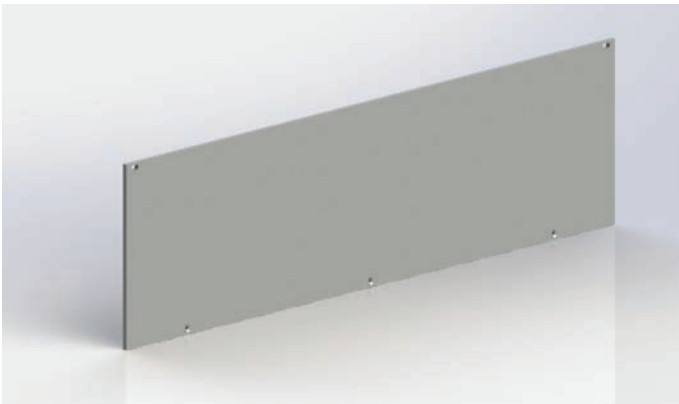
Material:  
Aluminium

**P/N: 081.501/116 00**

Finish:  
Passivated (conductive)



3U/6U Front panels for horizontal hinge

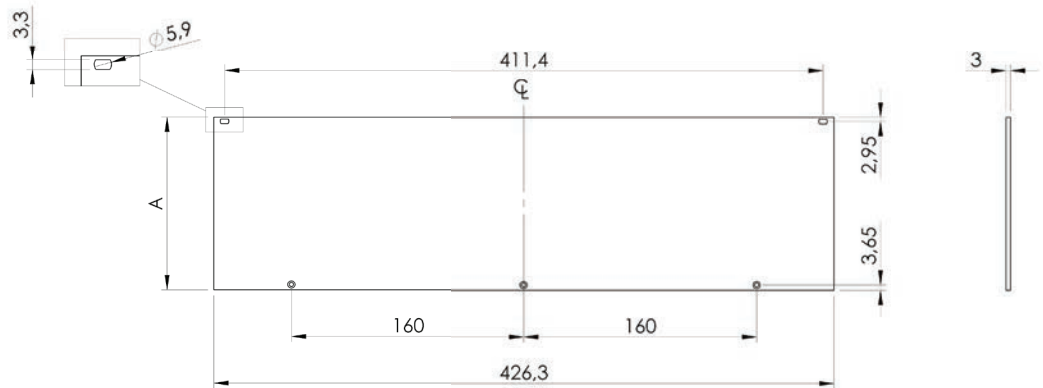


Front cover for horizontal hinge (84TE)

Material:  
Aluminium

Finish:  
Passivated (conductive)

U	P/N	A
3U	103.600/250 00	118,6
6U	103.600/253 00	252

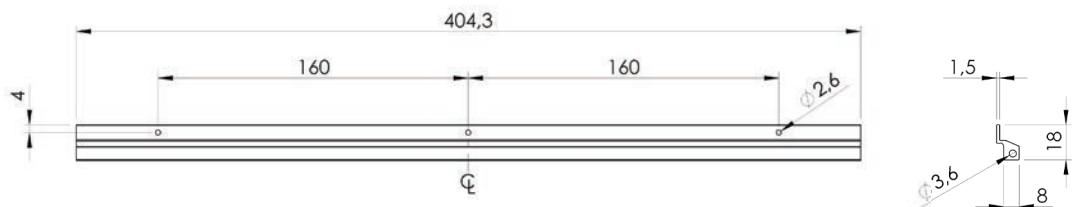


Horizontal hinge (84TE)

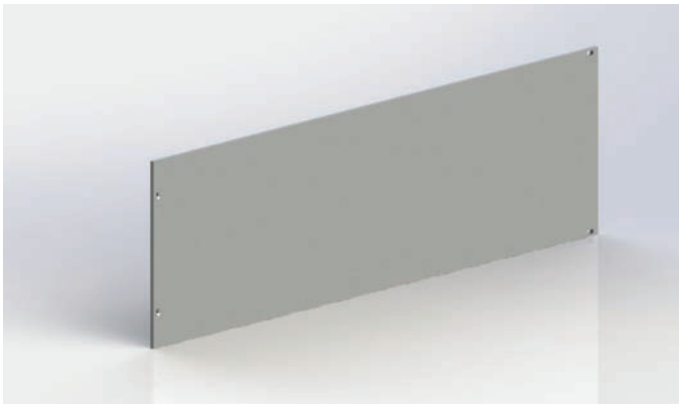
Material:  
Aluminium extrusion

Finish:  
Passivated (conductive)

P/N: 234.100 C



## 3U/6U Front panels for vertical hinge

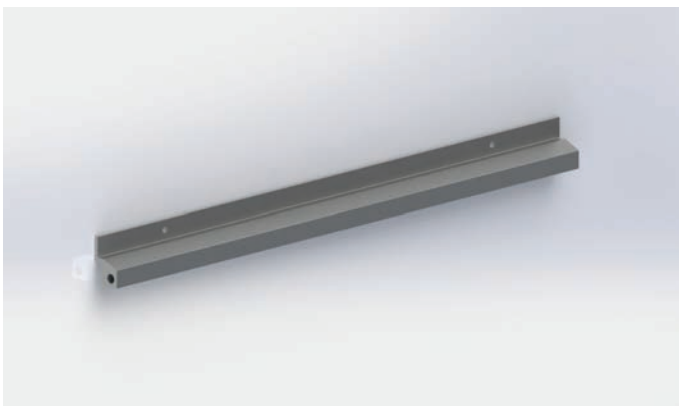
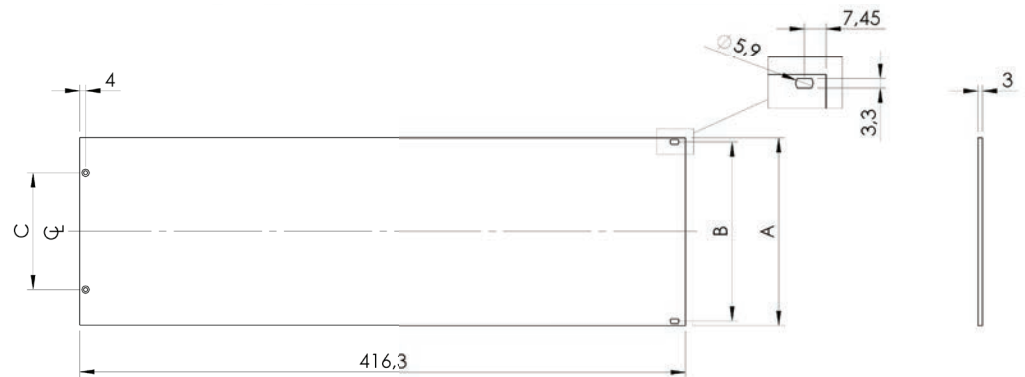


Front cover for vertical hinge (84TE)

Material:  
Aluminium

Finish:  
Passivated (conductive)

U	P/N	A	B	C
3U	103.600/260 00	128,4	122,5	80
6U	103.600/263 00	261,8	255,8	170

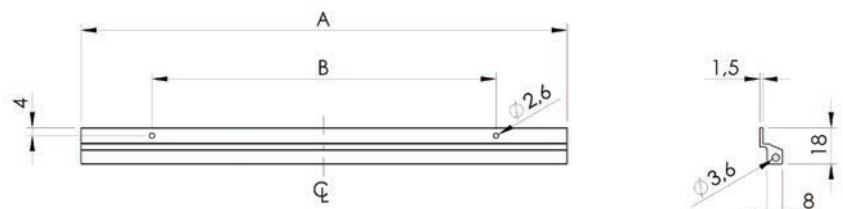


Vertical hinge (84TE)

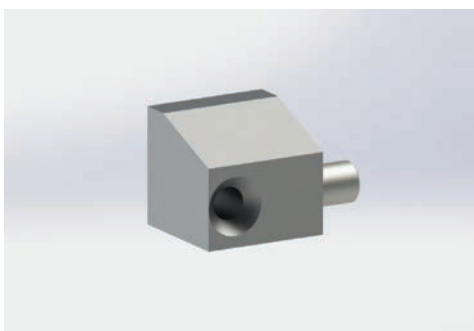
Material:  
Aluminium extrusion

Finish:  
Passivated (conductive)

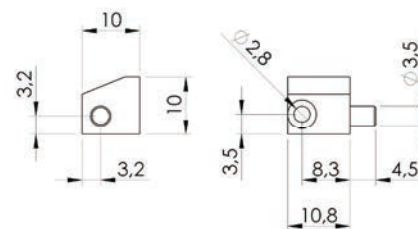
U	P/N	A	B
3U	234.120	106,5	80
6U	234.123	239,9	170



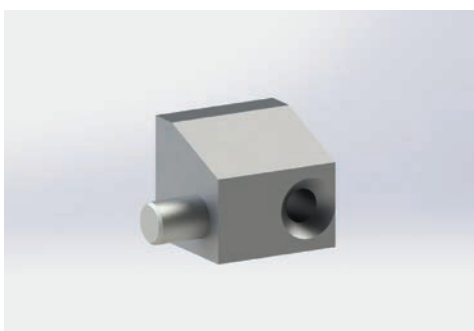
Accessories block for horizontal and vertical hinge



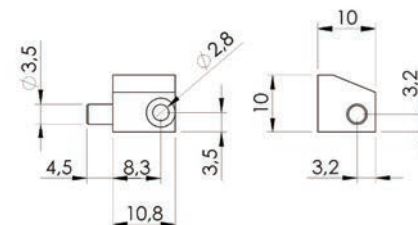
**Left block hinge for horizontal**  
 Material: Aluminium extrusion  
 Finish: Passivated (conductive)



P/N: 202.031 C



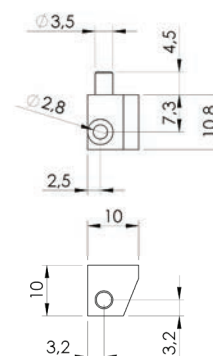
**Right block hinge for horizontal**  
 Material: Steel  
 Finish: Passivated (conductive)



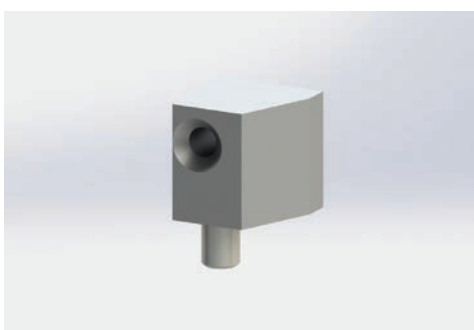
P/N: 202.030 C



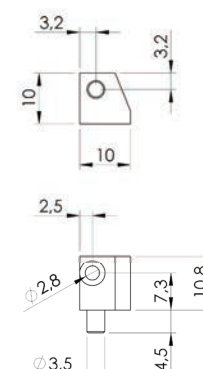
**Bottom block hinge for vertical**  
 Material: Aluminium extrusion  
 Finish: Passivated (conductive)



P/N: 202.090 C



**Top block hinge for vertical**  
 Material: Aluminium extrusion  
 Finish: Passivated (conductive)



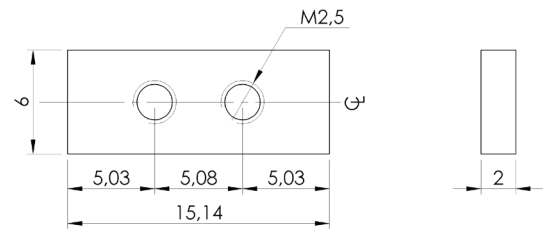
P/N: 202.091 C

Accessories for horizontal and vertical hinge



Fastening bar M2,5 3TE

Material:  
Steel  
Finish:  
Zinc plated

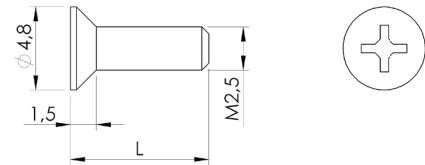


P/N: 234.013/003

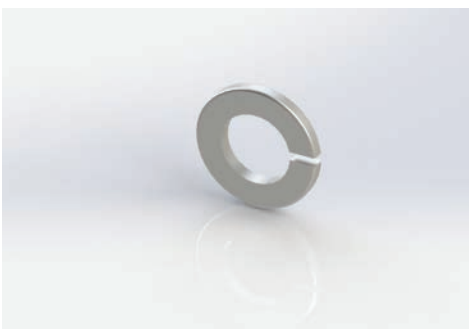


Ph. Cross recessed countersunk screw

Material:  
Steel  
Finish:  
Zinc plated

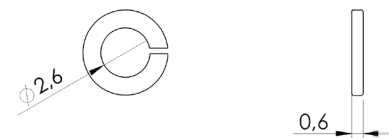


M2,5X8 (L) P/N: 404.011  
M2,5X16 (L) P/N: 404.015

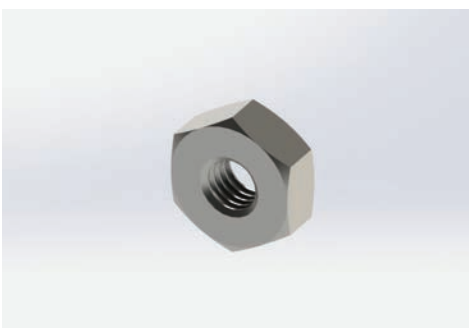


Helical spring lock washer M2,5 DIN127B

Material:  
Steel  
Finish:  
Zinc plated

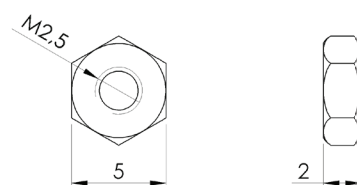


P/N: 422.001



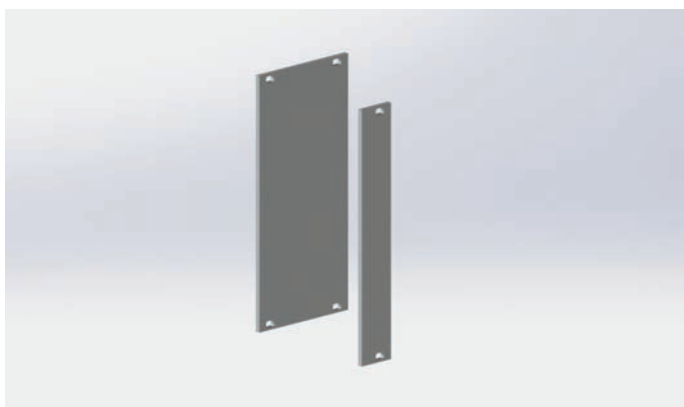
Hexagonal nut M2,5 DIN934

Material:  
Steel  
Finish:  
Zinc plated



P/N: 411.001

## 3U/6U Buffer blank panels



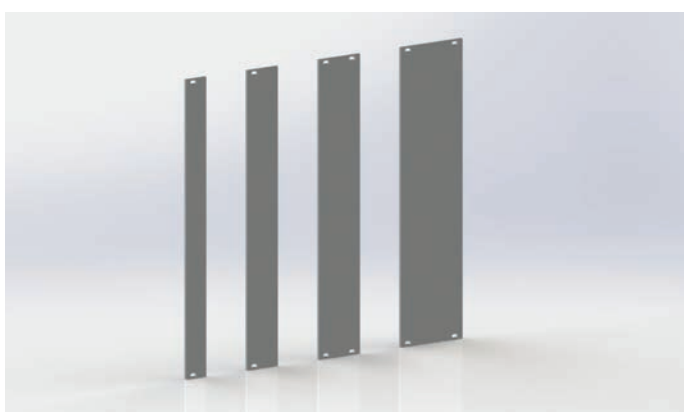
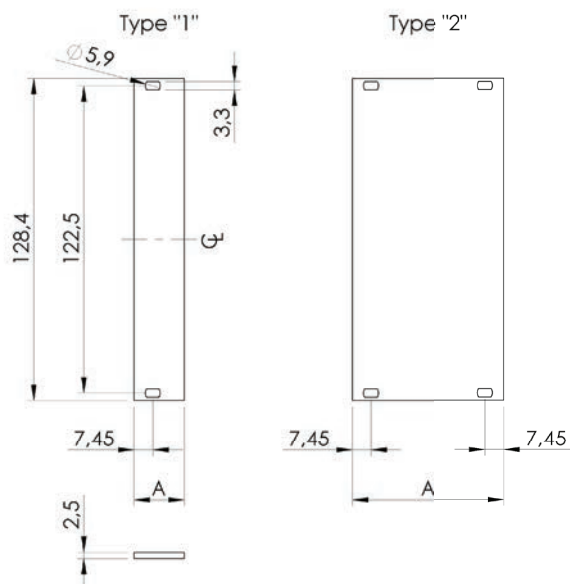
### 3U

Material:  
Aluminium 2,5 mm

Front side finish:  
Anodised

Rear side finish:  
Passivated (conductive)

Pos.	P/N	A	Type
4	103.601/004	19,98	1
6	103.601/006	30,14	1
8	103.601/008	40,3	2
10	103.601/010	50,46	2
12	103.601/012	60,62	2
84	103.601/084	426,3	2



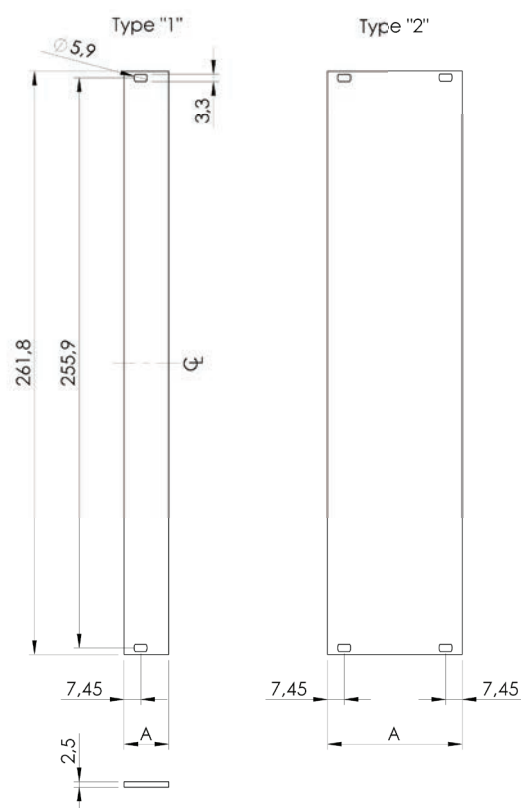
### 6U

Material:  
Aluminium 2,5 mm

Front side finish:  
Anodised

Rear side finish:  
Passivated (conductive)

Pos.	P/N	A	Type
4	103.605/004	19,98	1
6	103.605/006	30,14	1
8	103.605/008	40,3	2
10	103.605/010	50,46	2
12	103.605/012	60,62	2
84	103.605/084	426,3	2



## 3U/6U EMI Buffer blank panels

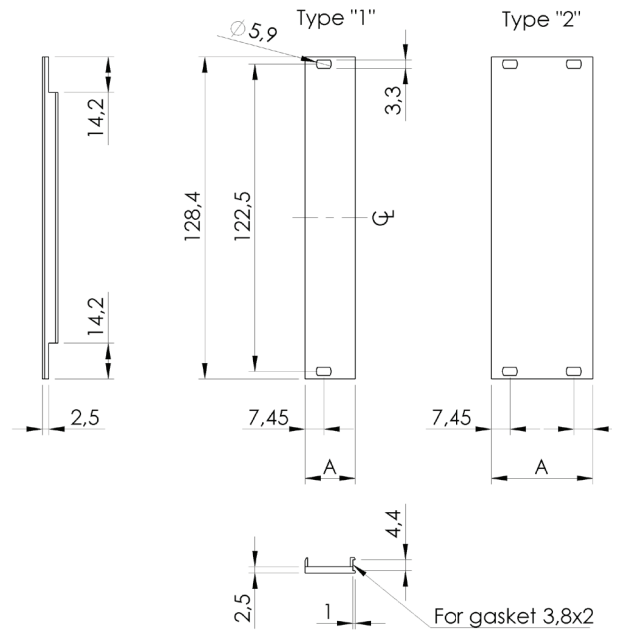


### 3U

Material:  
Aluminium extrusion

Finish:  
Passivated (conductive)

Pos.	P/N	A	Type
4	103.702/004	19,98	1
5	103.702/005	25,06	1
6	103.702/006	30,14	1
8	103.702/008	40,3	2

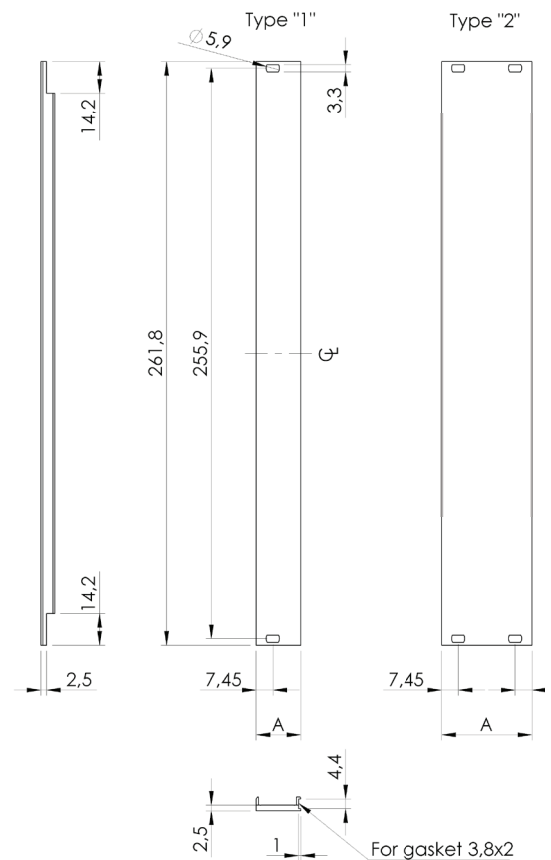


### 6U

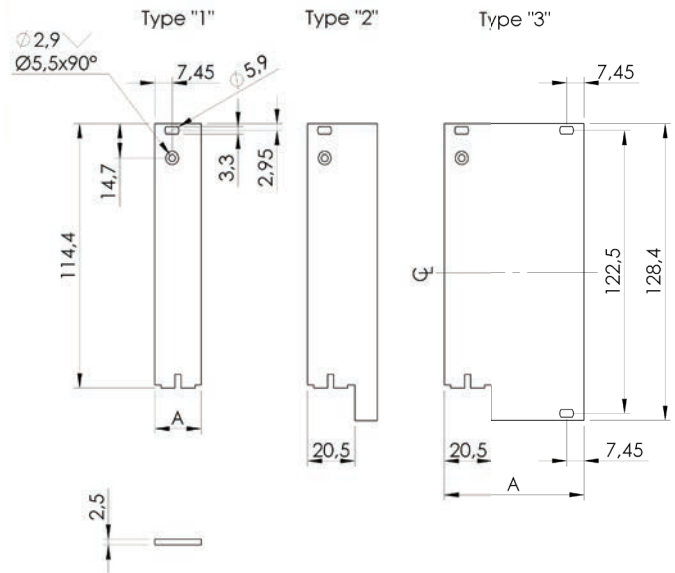
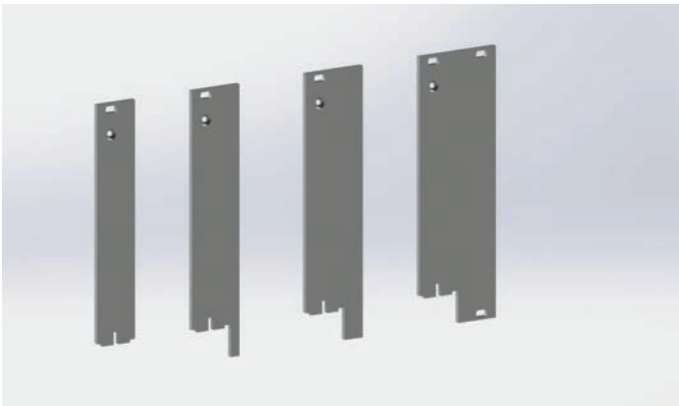
Material:  
Aluminium extrusion

Finish:  
Passivated (conductive)

Pos.	P/N	A	Type
4	103.706/004	19,98	1
5	103.706/005	25,06	1
6	103.706/006	30,14	1
8	103.706/008	40,3	2



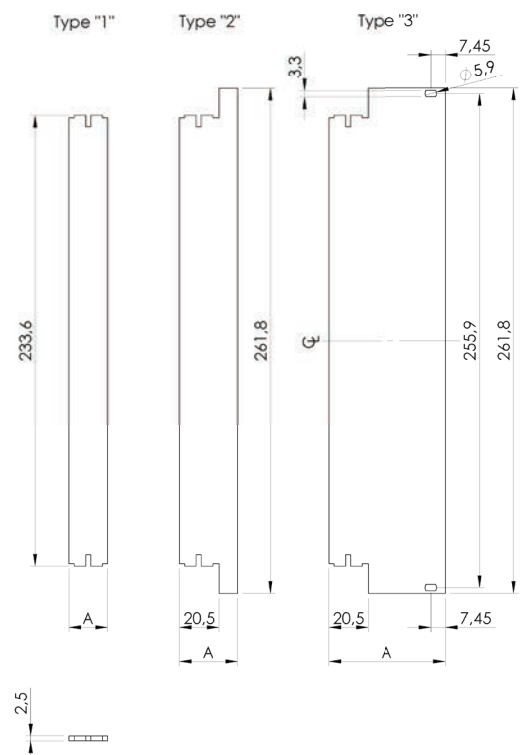
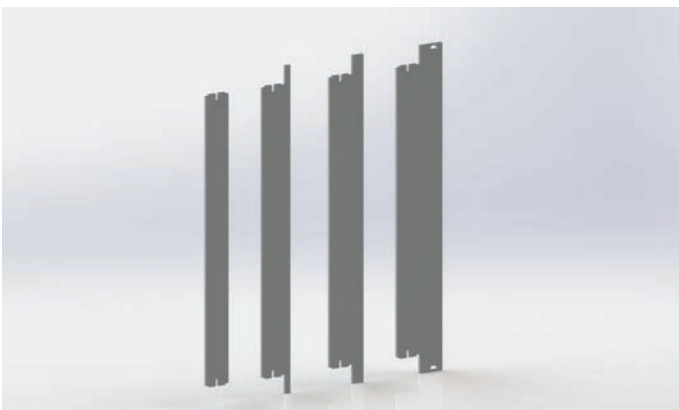
## 3U/6U Blank panels for extractors



### 3U

Material:  
Aluminium  
Finish:  
Passivated (conductive)

Pos.	P/N	A	Type
4	103.604/004	19,98	1
6	103.604/006	30,14	2
8	103.604/008	40,3	3
10	103.604/010	50,46	3
12	103.604/012	60,62	3

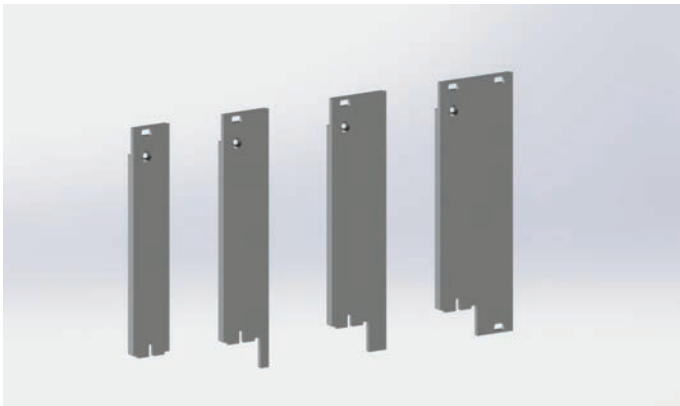


### 6U

Material:  
Aluminium  
Finish:  
Passivated (conductive)

Pos.	P/N	A	Type
4	103.608/004	19,98	1
6	103.608/006	30,14	2
8	103.608/008	40,3	3
10	103.608/010	50,46	3
12	103.608/012	60,62	3

## 3U/6U EMI Blank panels for extractors

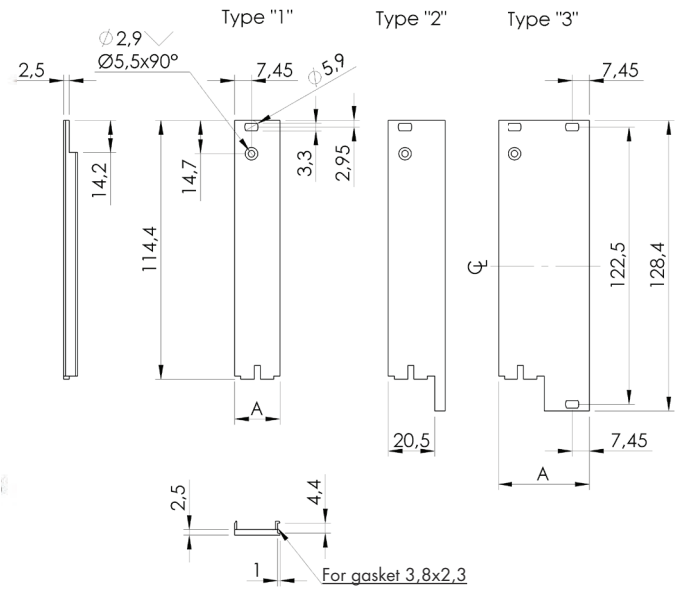


### 3U

Material:  
Aluminium extrusion

Finish:  
Passivated (conductive)

Pos.	P/N	A	Type
4	103.703/004	19,98	1
5	103.703/005	25,06	2
6	103.703/006	30,14	2
8	103.703/008	40,3	3

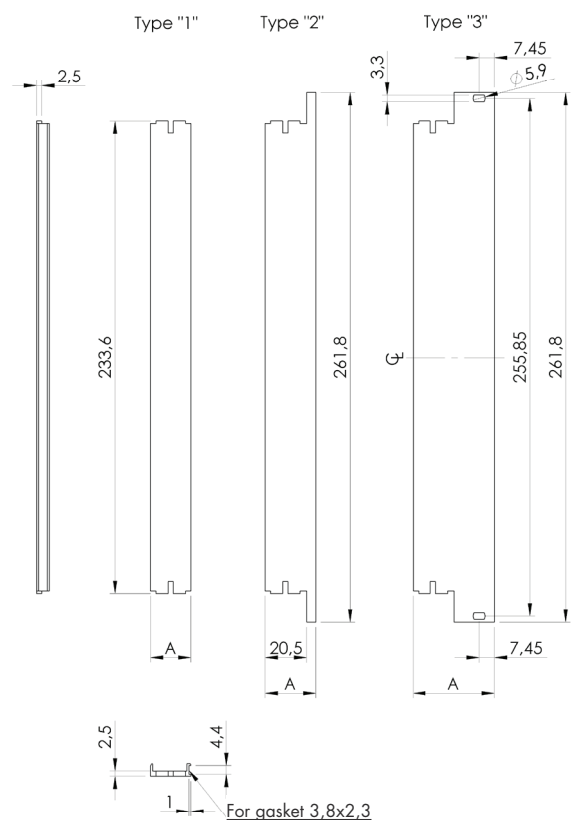


### 6U

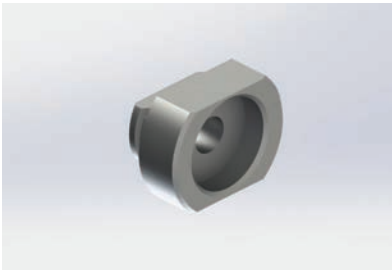
Material:  
Aluminium extrusion

Finish:  
Passivated (conductive)

Pos.	P/N	A	Type
4	103.707/004	19,98	1
5	103.707/005	25,06	2
6	103.707/006	30,14	2
8	103.707/008	40,3	3



## Accessories blank panels



**Metallic bush**

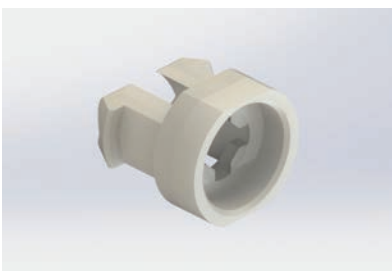
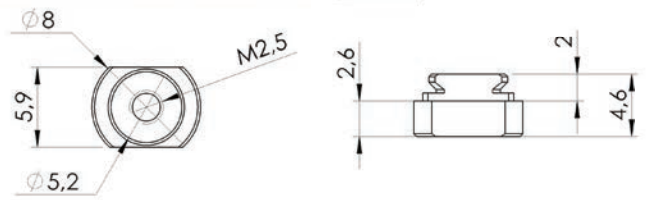
Material: Steel

Finish: Nickel-plated

**P/N:** 210.004/001 00

Material: Stainless steel

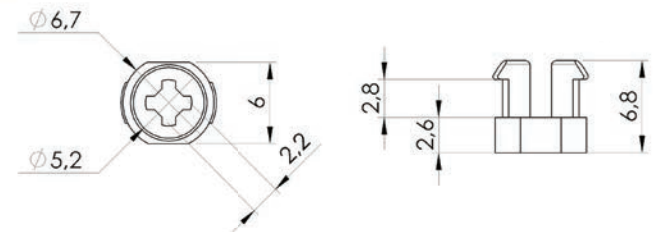
**P/N:** 210.004/004 00



**Plastic bush**

Material: Noryl

**P/N:** 700.200/005 01



**M2,5 KNOB**

Material: Steel

Finish: Nickel-plated

**P/N:** 409.000/001 00



**M2,5X11 CAPTIVE SCREW**

Material: Stainless steel

**P/N:** 409.038

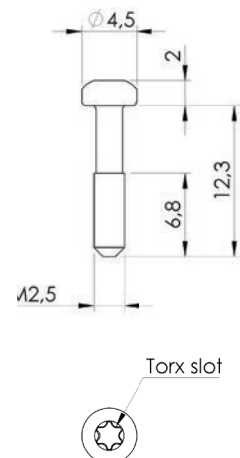
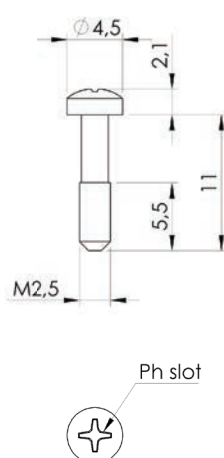
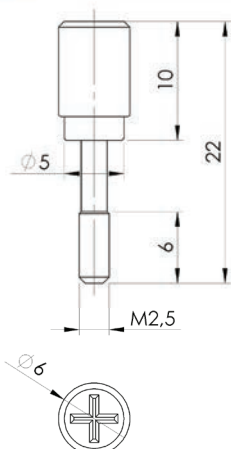


**M2,5X12,3 CAPTIVE SCREW**

Material: Steel

Finish: Nickel-plated

**P/N:** 409.000/010 00



## Accessories blank panels



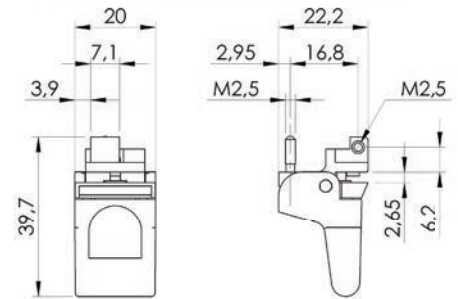
### Bottom extractor handle

Lever:  
plastic PC, UL 94 V-0,  
color black

Block handle  
Material:  
Zn Die-cast

Finish:  
Nickel plated

**P/N:** 490.500/206 00



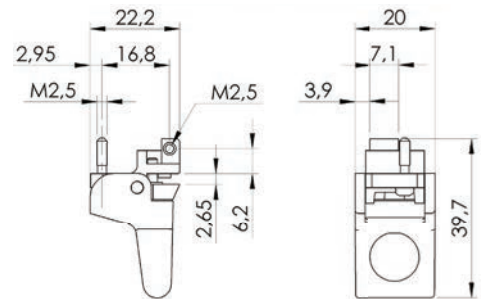
### Top extractor handle

Lever:  
plastic PC, UL 94 V-0,  
color black

Block handle  
Material:  
Zn Die-cast

Finish:  
Nickel plated

**P/N:** 490.500/207 00



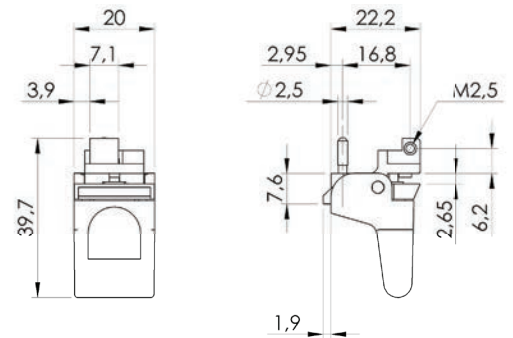
### Bottom extractor handle for CPCI front crosspiece

Lever:  
plastic PC, UL 94 V-0,  
color black

Block handle  
Material:  
Zn Die-cast

Finish:  
Nickel plated

**P/N:** 490.500/209 00



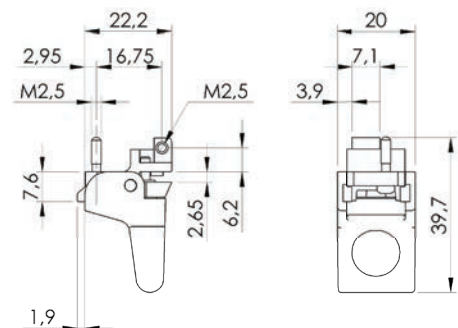
### Top extractor handle for CPCI front crosspiece

Lever:  
plastic PC, UL 94 V-0,  
color black

Block handle  
Material:  
Zn Die-cast

Finish:  
Nickel plated

**P/N:** 490.500/208 00



## Accessories blank panels



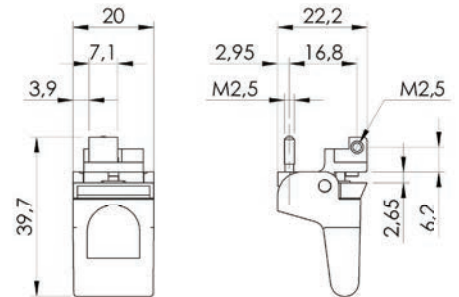
### Bottom extractor handle

Lever:  
plastic PC, UL 94 V-0,  
color grey

Block handle  
Material:  
Zn Die-cast

Finish:  
Nickel plated

**P/N:** 490.500/211 00



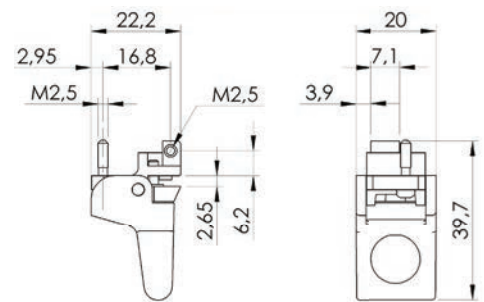
### Top extractor handle

Lever:  
plastic PC, UL 94 V-0,  
color grey

Block handle  
Material:  
Zn Die-cast

Finish:  
Nickel plated

**P/N:** 490.500/210 00



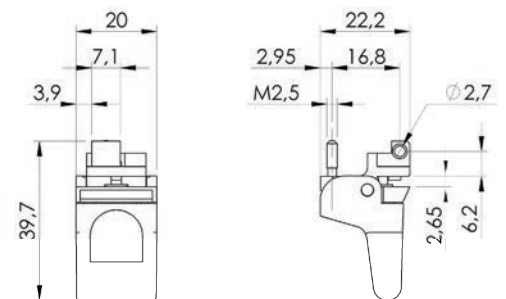
### Bottom extractor handle with fixing PCB hole Ø2,7

Lever:  
plastic PC, UL 94 V-0,  
color black

Block handle  
Material:  
Zn Die-cast

Finish:  
Nickel plated

**P/N:** 490.500/212 00



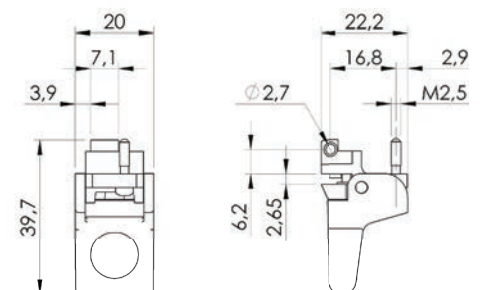
### Top extractor handle with fixing PCB hole Ø2,7

Lever:  
plastic PC, UL 94 V-0,  
color black

Block handle  
Material:  
Zn Die-cast

Finish:  
Nickel plated

**P/N:** 490.500/213 00

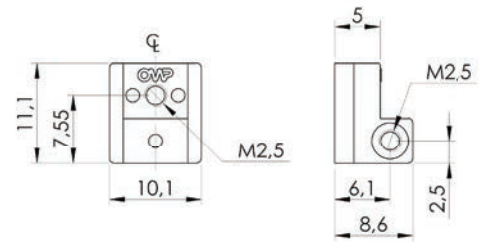


## Accessories blank panels



**Board support with threaded holes M2,5**

Material:  
Die-cast  
Finish:  
Zinc plated

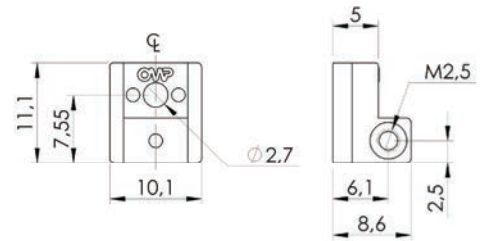


**P/N:** MWA0051-00-01



**Board support with threaded hole M2,5 and a hole Ø2,7**

Material:  
Die-cast  
Finish:  
Zinc plated

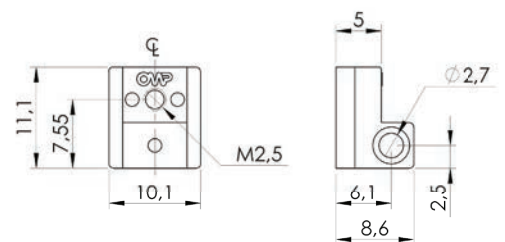


**P/N:** MWA0052-00-00

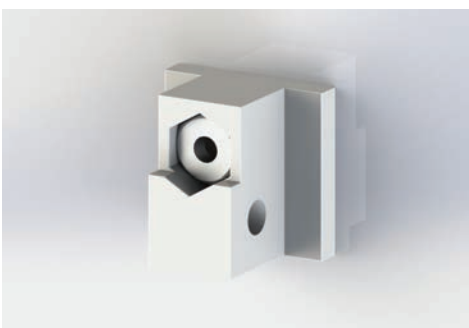


**Board support with threaded hole M2,5 and a hole Ø2,7**

Material:  
Die-cast  
Finish:  
Nickel plated

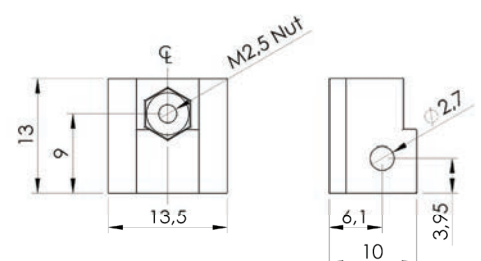


**P/N:** MWA0107-00-01



**Board support**

Material:  
PPO, UL94-V0



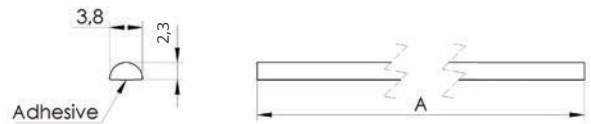
**P/N:** 700.018

## Accessories blank panels



**EMI Gasket (front panels and lateral brackets)**

Material:  
Nickel over copper plated fabric over an open cell polyurethane foam core  
UL94 V-0



Pos.	P/N	A
3U	780.000/031 00	97
6U	780.000/032 00	232

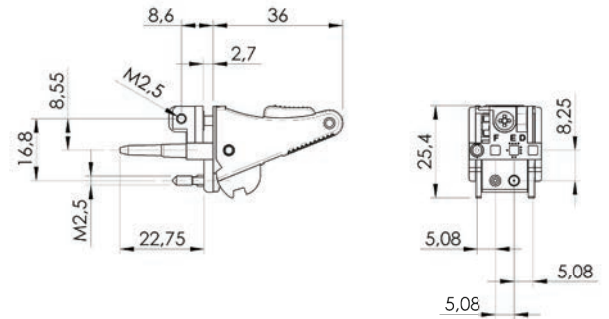


**Bottom extractor handle IIEEE**

Lever:  
plastic PC, UL 94 V-0, color black

Key:  
plastic PC, UL 94 V-0, color red

Block handle  
Material: Die - cast  
Finish : Nickel plated



**P/N: 490.500/214 00**

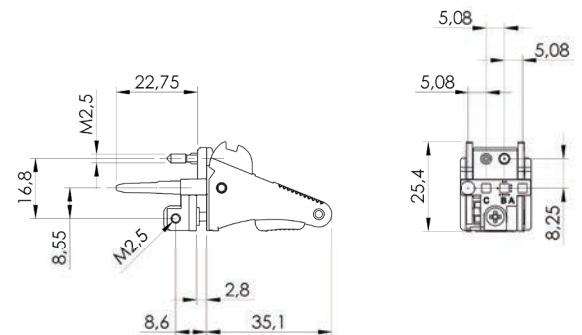


**Top extractor handle IIEEE**

Lever:  
plastic PC, UL 94 V-0, color black

Key:  
plastic PC, UL 94 V-0, color red

Block handle  
Material: Die - cast  
Finish : Nickel plated

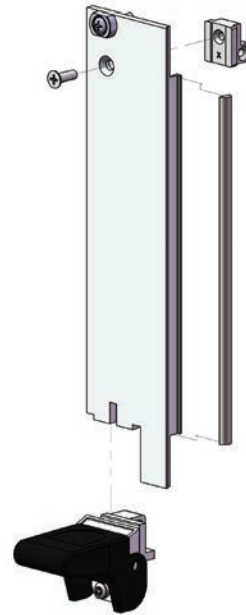


**P/N: 490.500/215 00**

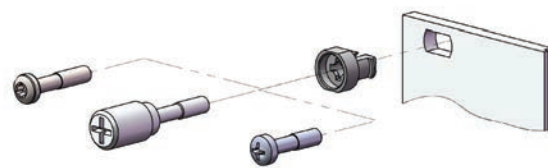
## Examples of mounting



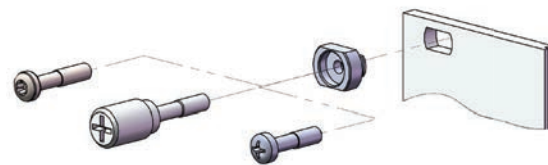
Mounting 6U front panels



Mounting 3U front panels

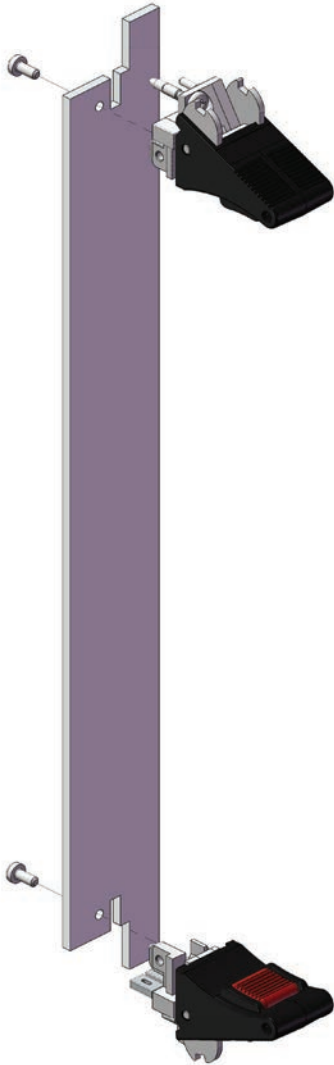


Plastic bush with knob and screws

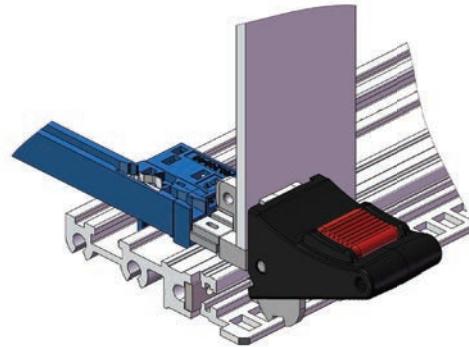


Metallic bush with knob and screws

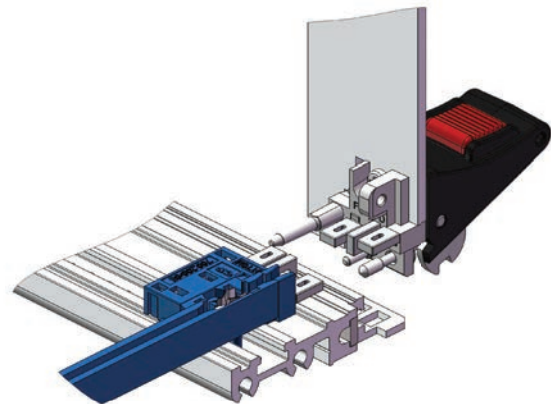
## Examples of mounting



Mounting 6U front panels (Handles IEEE)

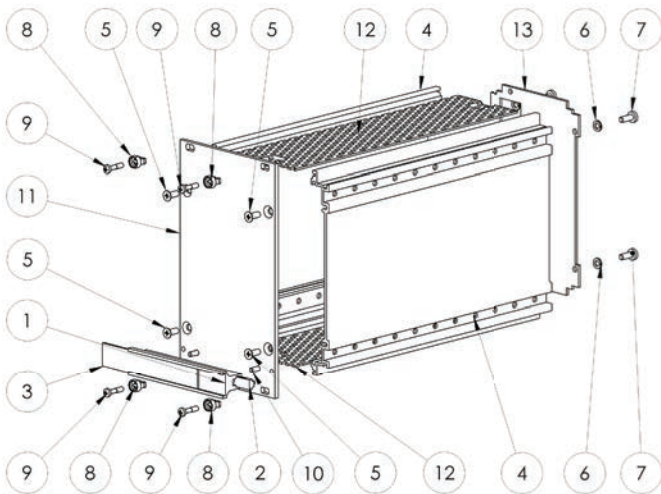
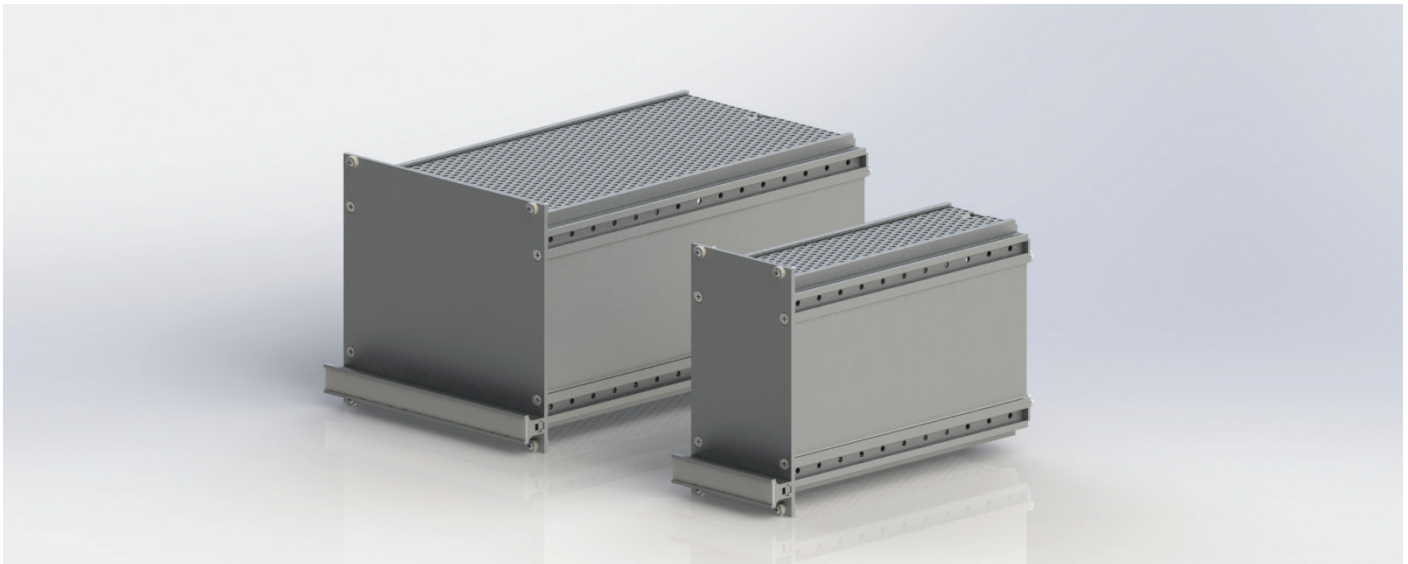


Mounting handle IEEE with polarizer and coding keys (front view)



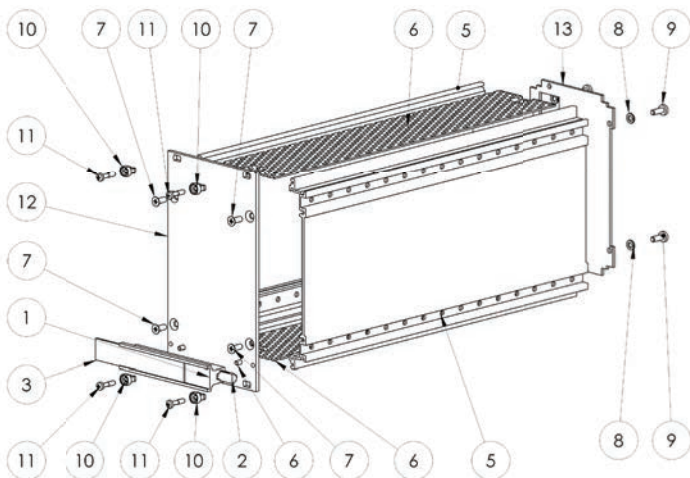
Mounting handle IEEE with polarizer and coding keys (rear view)

## 3U 14/28TE Trays



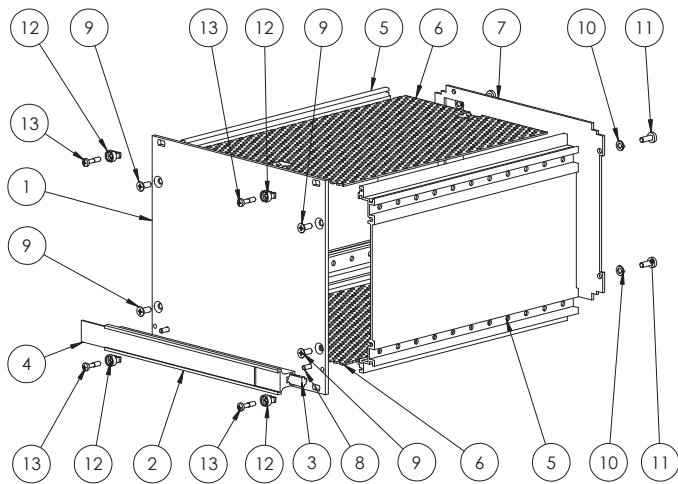
3U 14TE Deep 160			
Pos.	P/N	Description	Q.ty
1	103.600/300 00	Front panel 3U 14TE "OD series"	1
2	227.014	Handle 14TE	1
3	730.000	Handle block	2
4	141.114	Plate	1
5	230.041C	3U Side panel Deep 160	2
6	100.273C	Top / Bottom cover Deep 160	2
7	100.200C	3U 14TE Rear panel	1
8	401.011	Countersunk screw M2,5x8	2
9	402.031	Countersunk screw M3x8	4
10	422.002	Helical spring lock washer 3,2	4
11	402.011	PH pan head screw M3x8	4
12	700.200/005 01	Bush for front panel	4
13	409.038	Unloosable screw M2,5x11	4

P/N: 025.510/003 00



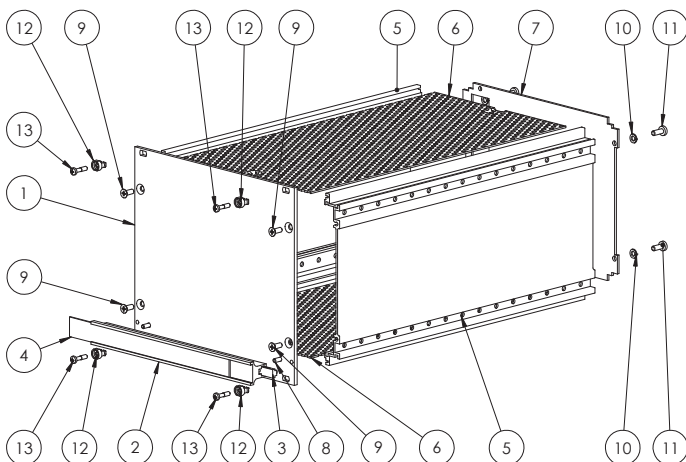
3U 14TE Deep 220			
Pos.	P/N	Description	Q.ty
1	103.600/300 00	Front panel 3U 14TE "OD series"	1
2	227.014	Handle 14TE	1
3	730.000	Handle block	2
4	141.114	Plate	1
5	230.042C	3U Side panel Deep 220	2
6	100.283C	Top / Bottom cover Deep 220	2
7	100.200C	3U 14TE Rear panel	1
8	401.011	Countersunk screw M2,5x8	2
9	402.031	Countersunk screw M3x8	4
10	422.002	Helical spring lock washer 3,2	4
11	402.011	PH pan head screw M3x8	4
12	700.200/005 01	Bush for front panel	4
13	409.038	Unloosable screw M2,5x11	4

P/N: 025.510/004 00



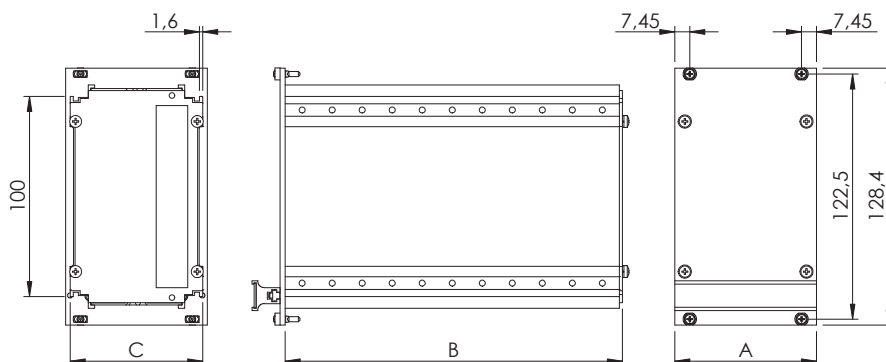
3U 28TE Deep 160			
Pos.	P/N	Description	Q.ty
1	103.600/301 00	Front panel 3U 28TE "OD series"	1
2	227.028	Handle 28TE	1
3	730.000	Handle block	2
4	141.128	Plate	1
5	230.041C	3U Side panel Deep 160	2
6	100.277C	Top / Bottom cover Deep 160	2
7	100.204C	3U 28TE Rear panel	1
8	401.011	Countersunk screw M2,5x8	2
9	402.031	Countersunk screw M3x8	4
10	422.002	Helical spring lock washer 3,2	4
11	402.011	PH pan head screw M3x8	4
12	700.200/005 01	Bush for front panel	4
13	409.038	Unloosable screw M2,5x11	4

P/N: 025.510/005 00



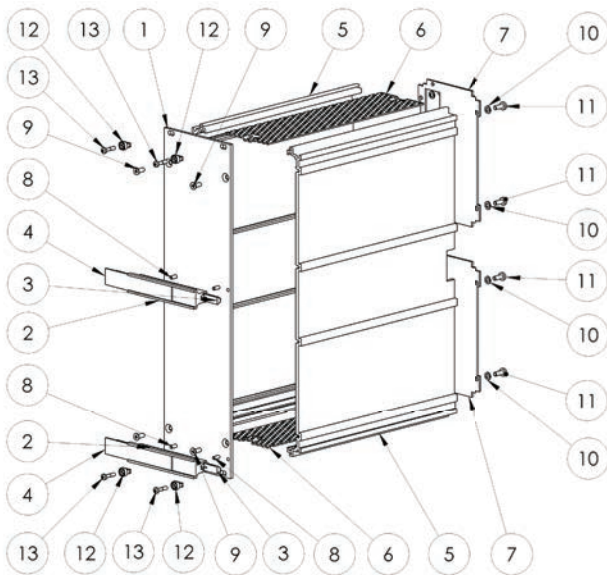
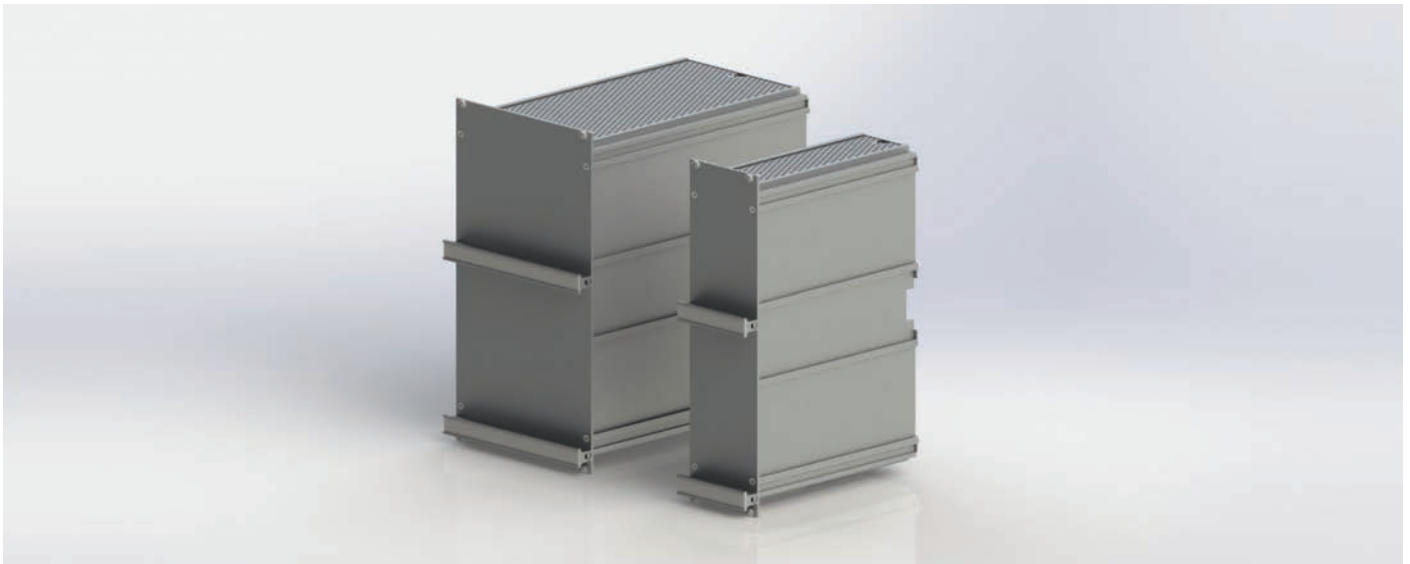
3U 28TE Deep 220			
Pos.	P/N	Description	Q.ty
1	103.600/301 00	Front panel 3U 28TE "OD series"	1
2	227.028	Handle 28TE	1
3	730.000	Handle block	2
4	141.128	Plate	1
5	230.042C	3U Side panel Deep 220	2
6	100.287C	Top / Bottom cover Deep 220	2
7	100.204C	3U 28TE Rear panel	1
8	401.011	Countersunk screw M2,5x8	2
9	402.031	Countersunk screw M3x8	4
10	422.002	Helical spring lock washer 3,2	4
11	402.011	PH pan head screw M3x8	4
12	700.200/005 01	Bush for front panel	4
13	409.038	Unloosable screw M2,5x11	4

P/N: 025.510/006 00



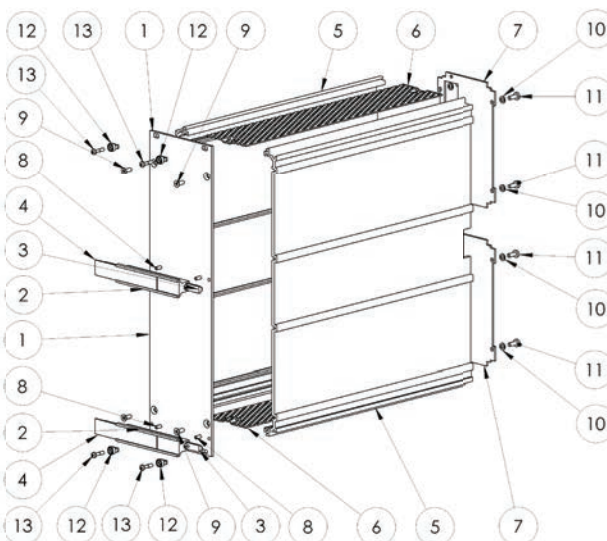
Dimensions 3U				
TE	Deep	A	B	C
14	160	70,78	168,5	66,2
14	220	70,78	228,5	66,2
28	160	141,8	168,5	137,2
28	220	141,8	228,5	137,2

## 6U 14/28TE Trays



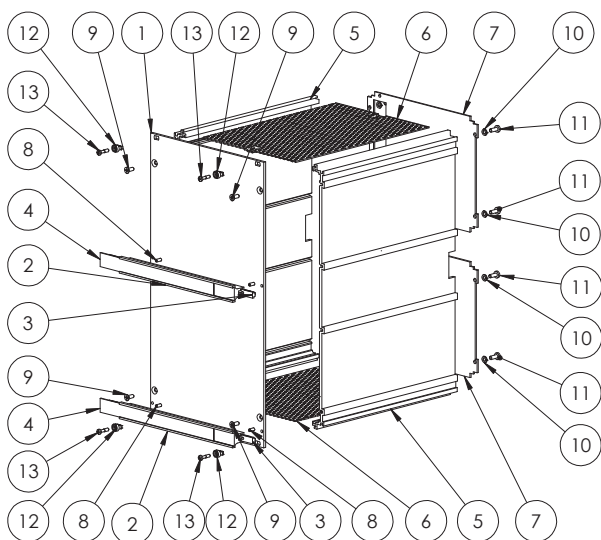
6U 14TE Deep 160			
Pos.	P/N	Description	Q.ty
1	103.600/302 00	Front panel 6U 14TE "OD series"	1
2	227.014	Handle 14TE	2
3	730.000	Handle block	4
4	141.114	Plate	2
5	230.909C	6U Side panel Deep 160	2
6	100.273C	Top / Bottom cover Deep 160	2
7	100.200C	3U 14TE Rear panel	2
8	401.011	Countersunk screw M2,5x8	4
9	402.031	Countersunk screw M3x8	4
10	422.002	Helical spring lock washer 3,2	8
11	402.011	PH pan head screw M3x8	8
12	700.200/005 01	Bush for front panel	4
13	409.038	Unloosable screw M2,5x11	4

**P/N: 025.510/010 00**



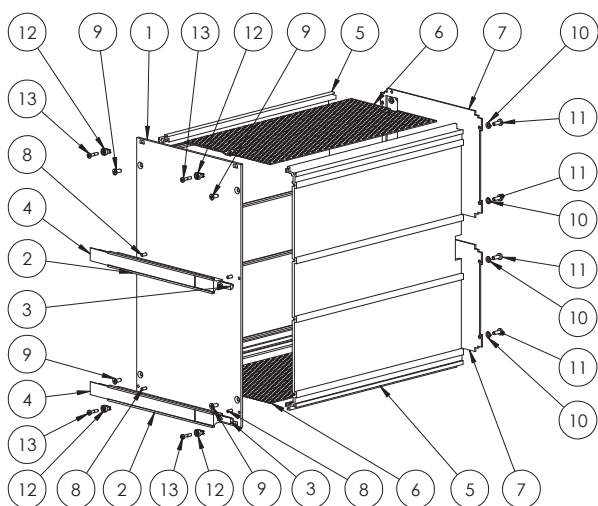
6U 14TE Deep 220			
Pos.	P/N	Description	Q.ty
1	103.600/302 00	Front panel 6U 14TE "OD series"	1
2	227.014	Handle 14TE	2
3	730.000	Handle block	4
4	141.114	Plate	2
5	230.900C	6U Side panel Deep 220	2
6	100.283C	Top / Bottom cover Deep 220	2
7	100.200C	3U 14TE Rear panel	2
8	401.011	Countersunk screw M2,5x8	4
9	402.031	Countersunk screw M3x8	4
10	422.002	Helical spring lock washer 3,2	8
11	402.011	PH pan head screw M3x8	8
12	700.200/005 01	Bush for front panel	4
13	409.038	Unloosable screw M2,5x11	4

**P/N: 025.510/011 00**



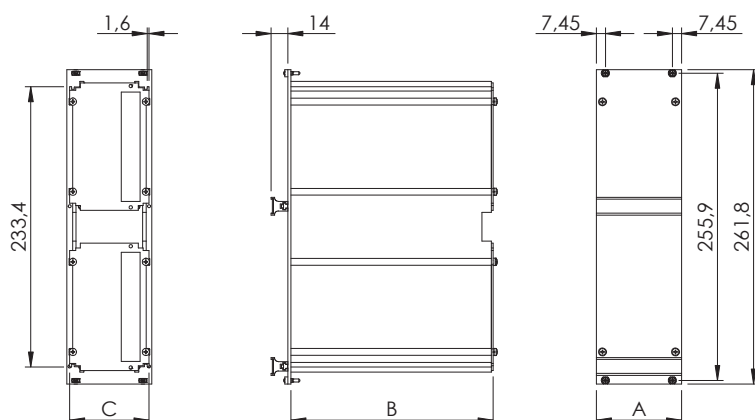
6U 28TE Deep 160			
Pos.	P/N	Description	Q.ty
1	103.600/303 00	Front panel 6U 28TE "OD series"	1
2	227.028	Handle 28TE	2
3	730.000	Handle block	4
4	141.128	Plate	2
5	230.909C	6U Side panel Deep 160	2
6	100.277C	Top / Bottom cover Deep 160	2
7	100.204C	3U 28TE Rear panel	2
8	401.011	Countersunk screw M2,5x8	4
9	402.031	Countersunk screw M3x8	4
10	422.002	Helical spring lock washer 3,2	8
11	402.011	PH pan head screw M3x8	8
12	700.200/005 01	Bush for front panel	4
13	409.038	Unloosable screw M2,5x11	4

P/N: 025.510/012 00



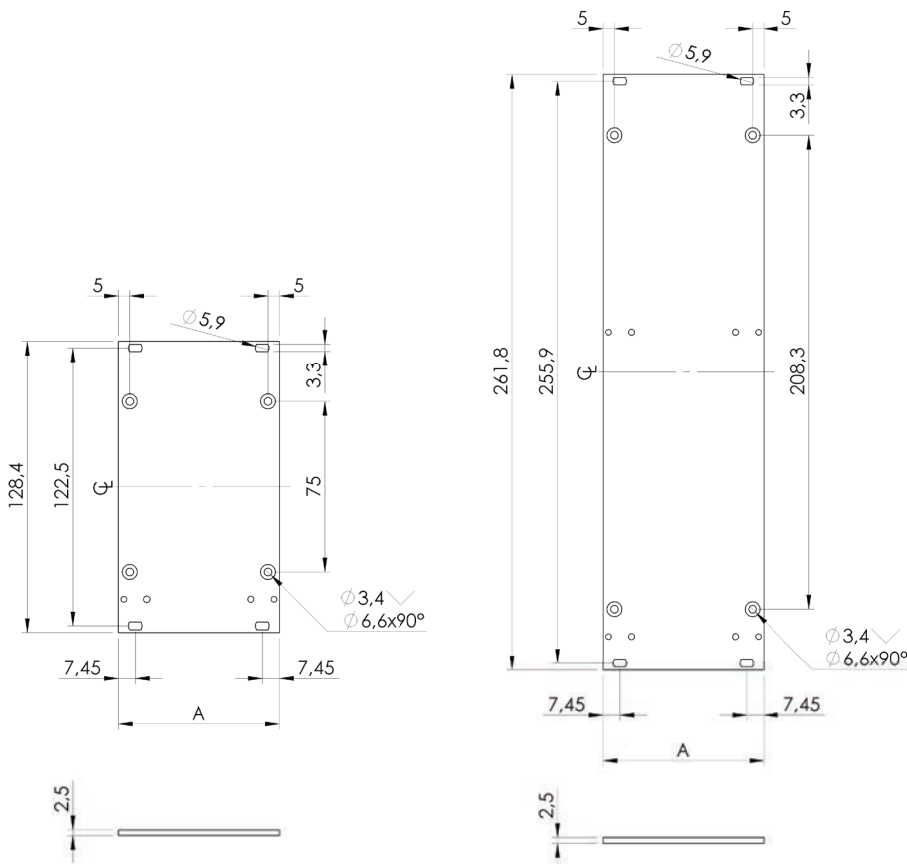
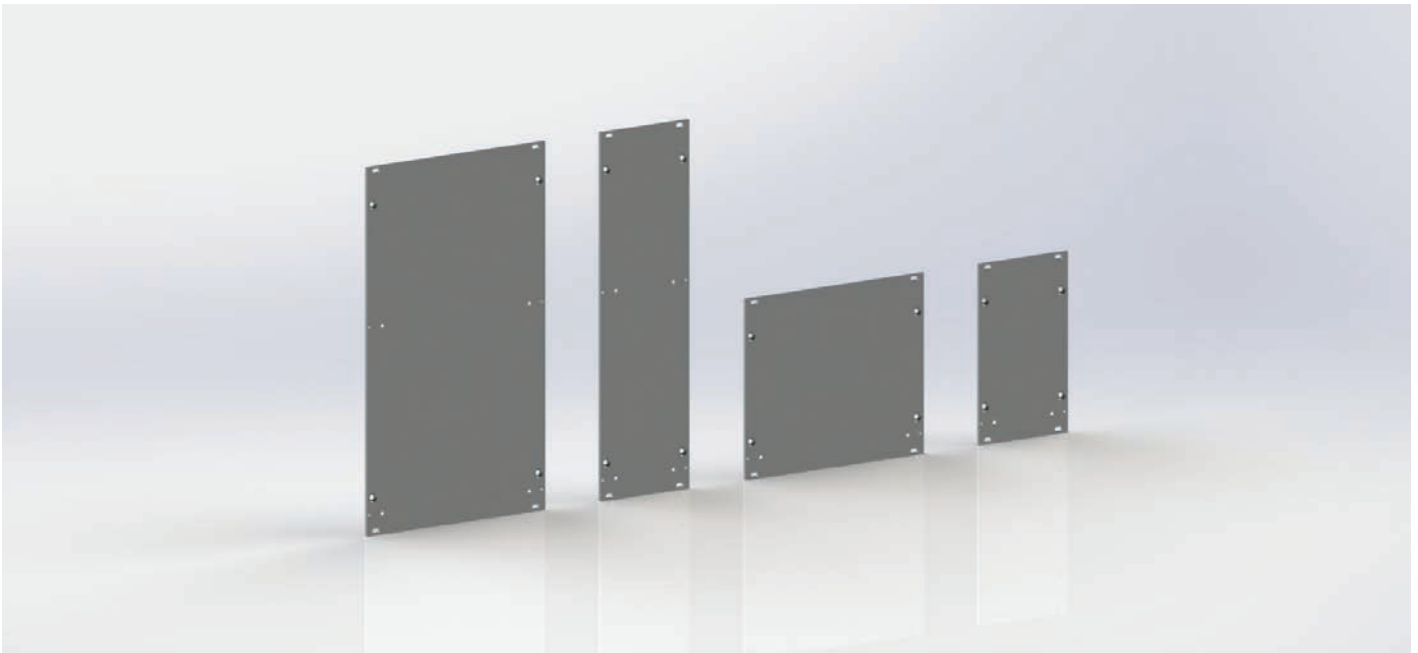
6U 28TE Deep 220			
Pos.	P/N	Description	Q.ty
1	103.600/303 00	Front panel 6U 28TE "OD series"	1
2	227.028	Handle 28TE	2
3	730.000	Handle block	4
4	141.128	Plate	2
5	230.900C	6U Side panel Deep 220	2
6	100.287C	Top / Bottom cover Deep 220	2
7	100.204C	3U 28TE Rear panel	2
8	401.011	Countersunk screw M2,5x8	4
9	402.031	Countersunk screw M3x8	4
10	422.002	Helical spring lock washer 3,2	8
11	402.011	PH pan head screw M3x8	8
12	700.200/005 01	Bush for front panel	4
13	409.038	Unloosable screw M2,5x11	4

P/N: 025.510/013 00



Dimensions 6U				
TE	Deep	A	B	C
14	160	70,78	168,5	66,2
14	220	70,78	228,5	66,2
28	160	141,8	168,5	137,2
28	220	141,8	228,5	137,2

## 3U/6U Trays front panels



3U		
HP	P/N	A
14	103.600/300	70,78
28	103.600/301	141,8

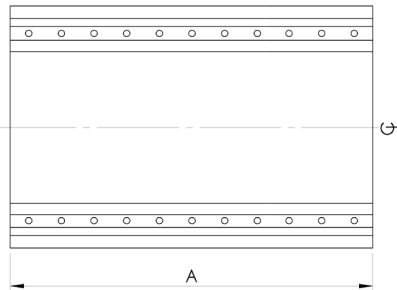
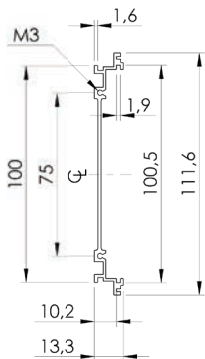
6U		
HP	P/N	A
14	103.600/302	70,78
28	103.600/303	141,8

Material:  
Aluminium 2,5 mm

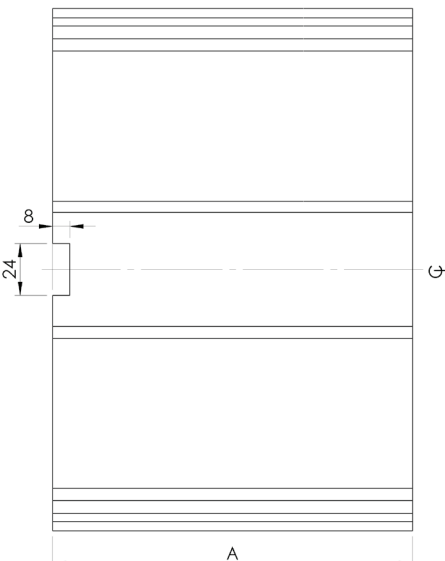
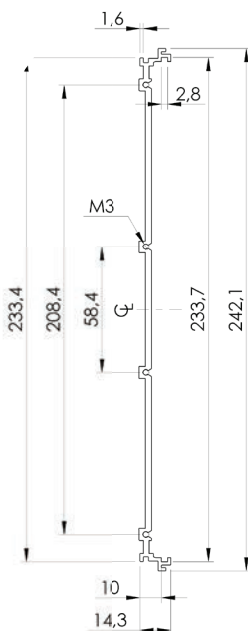
Front side finish:  
Anodised

Rear side finish:  
Passivated (conductive)

## 3U/6U Trays side panels extruded



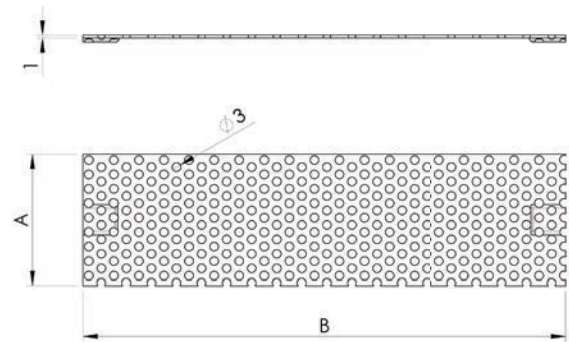
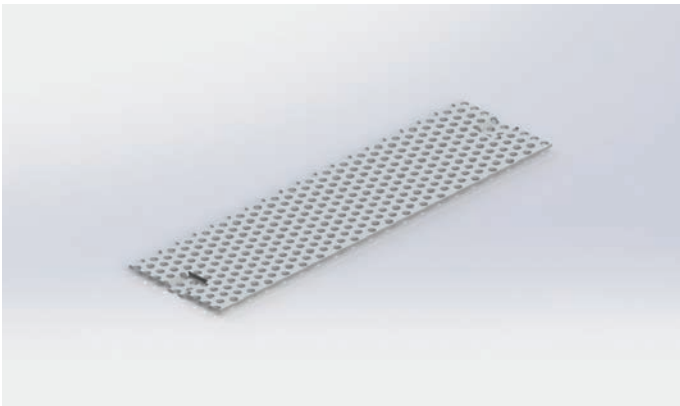
3U		
Depth	P/N	A
160	230.041C	167
220	230.042C	227



6U		
Depth	P/N	A
160	230.909C	167
220	230.900C	227

Material:  
Aluminium extrusion  
Finish:  
Passivated (conductive)

## Trays top/bottom covers and rear panels

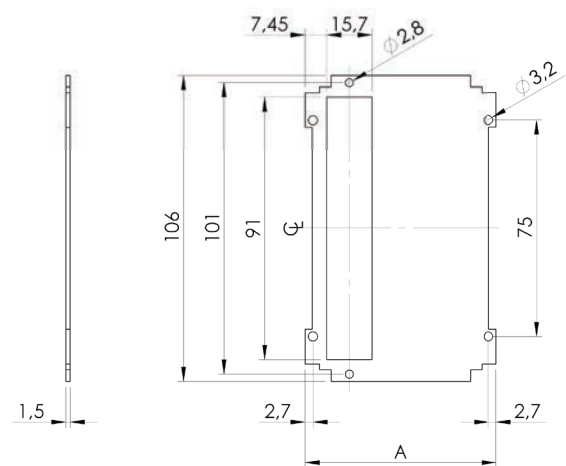
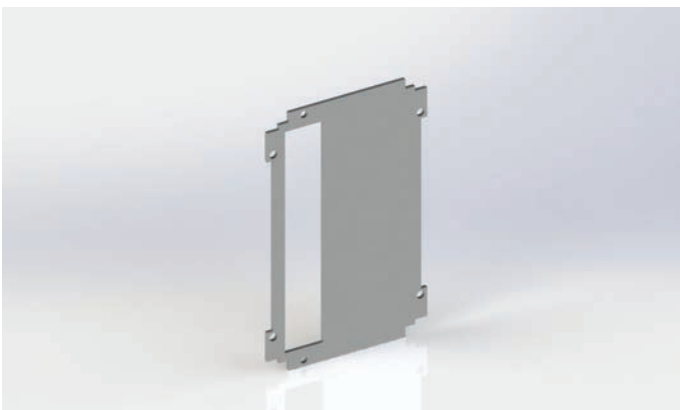


### Top / Bottom covers

Material:  
Aluminium

Finish:  
Passivated (conductive)

TE	Deep	P/N	A	A
14	160	100.273C	45,4	167
14	220	100.283C	45,4	226,5
28	160	100.277C	116,4	167
28	220	100.287C	116,4	226,5



### Rear covers

Material:  
Aluminium

Finish:  
Passivated (conductive)

TE	P/N	A
14	100.200C	66,2
28	100.204C	137,3



Trays accessories

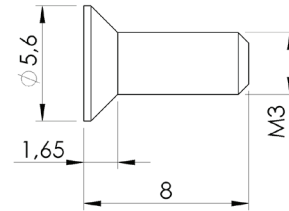


P/N: 402.031

Ph. cross recessed countersunk screw M3x8

Material: Steel

Finish: Zinc plated

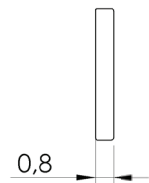
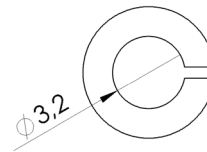


P/N: 422.002

Helical spring lock washer M3 DIN127B

Material: Steel

Finish: Zinc plated

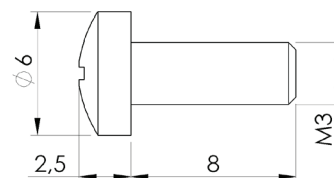


P/N: 402.011

Ph. cross recessed countersunk screw M3x8

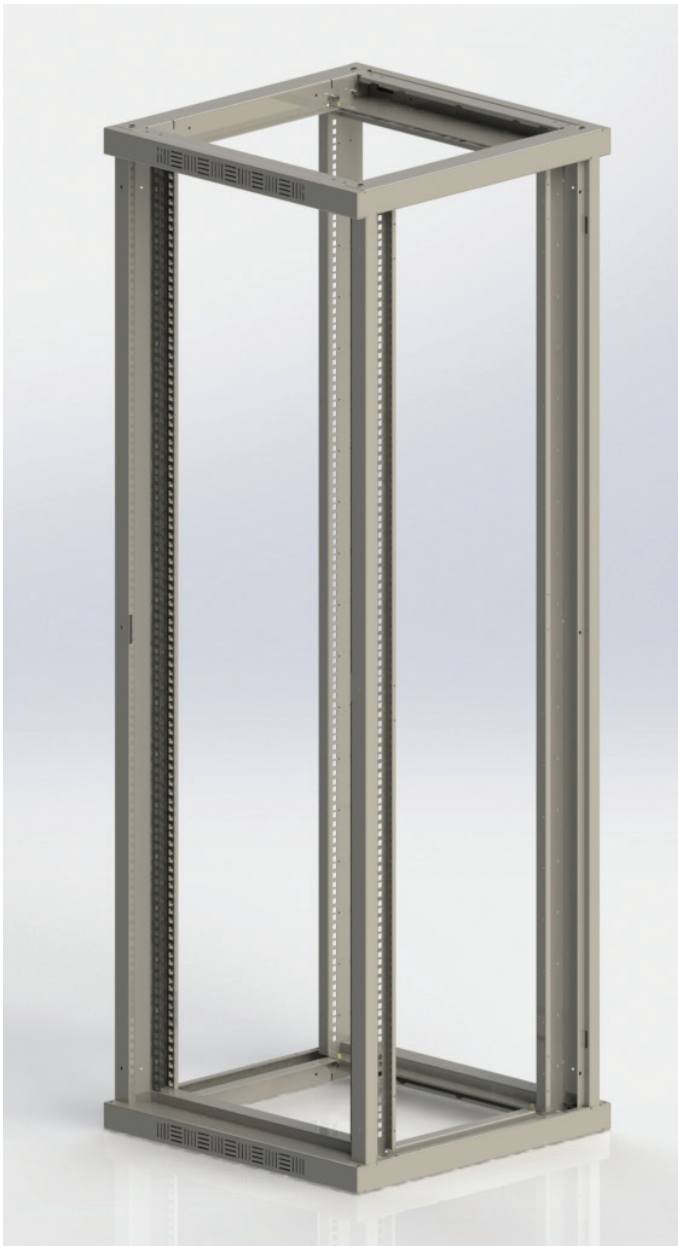
Material: Steel

Finish: Zinc plated



Racks

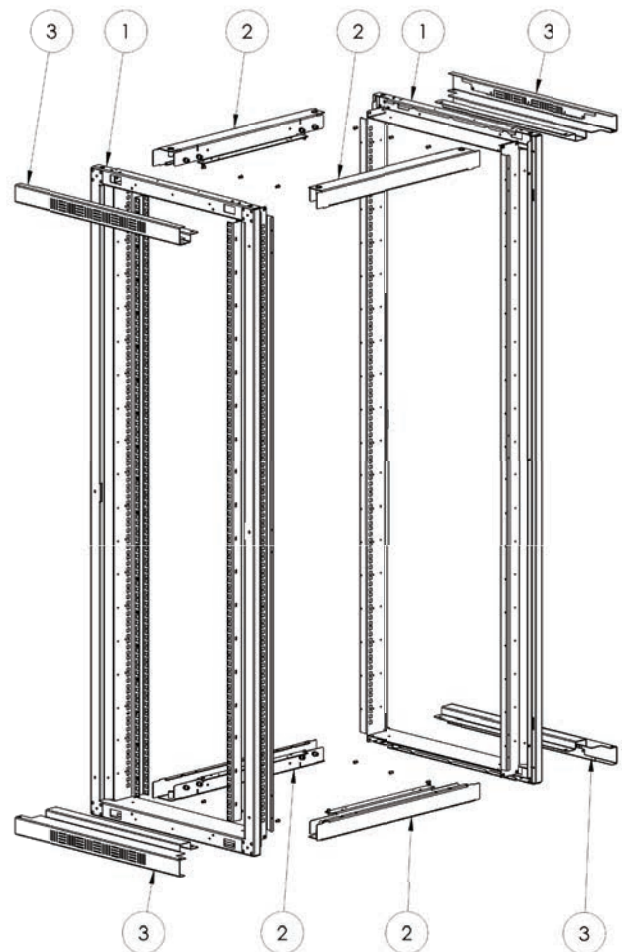
## 19" Rack cabinet ALPI Series



Cabinet structure composed of 2 frames (pos.1), 4 depth crossbars (pos.2), the base chassis is provided with 4 bottom and top masks (pos.3) and 2 19" rack uprights with IEC 297-1 compatible drill step.

Each element fixed or removable is made to be connected to grounding.

Assembly		
Pos.	Description	Q.ty
1	Framework	2
2	Depth crossbar	4
3	Front mask	4
4	19" rack mounting profile	2



## 19" Rack cabinet ALPI Series

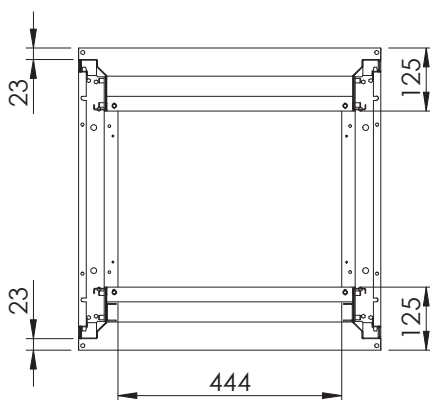
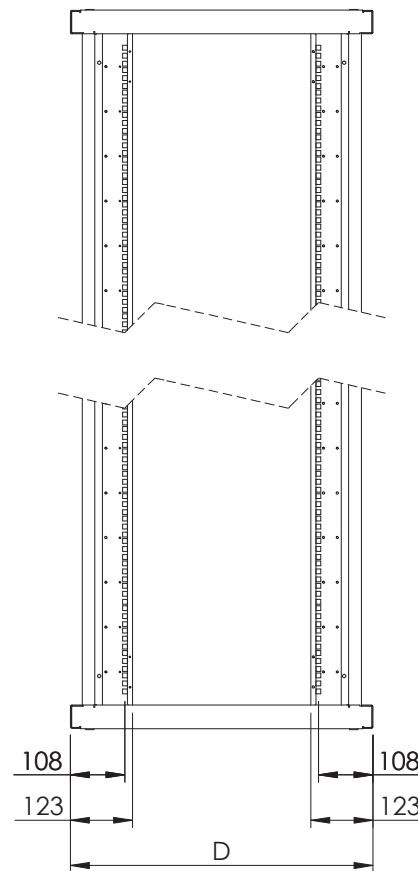
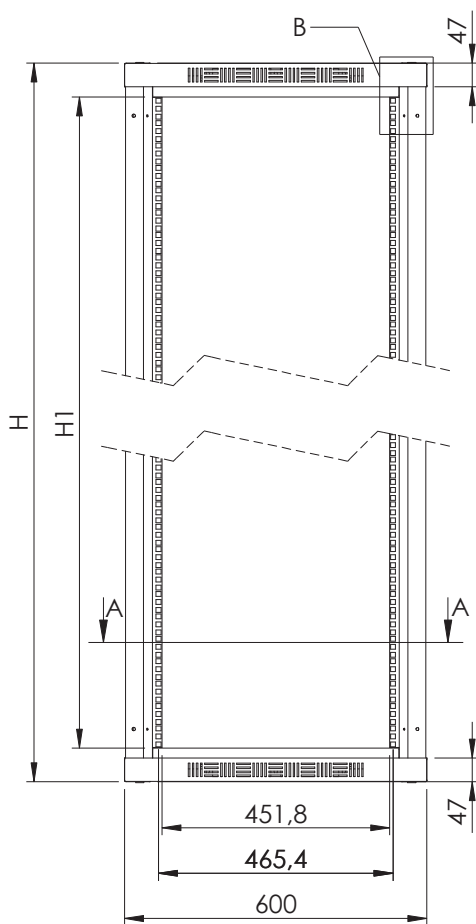
Structure and relevant covers 500 - 700 - 900 deep are produced upon request.

Structure is made of steel and all surfaces are treated with epoxy powder paint and have a orange peel finish; standard colour is RAL 7030.

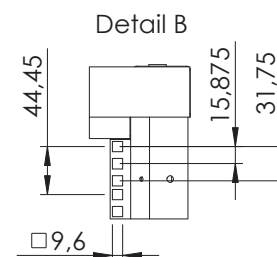
P/N and Dimensions				
HE*	H	H1	D	P/N
20	1023	889	600	ALPI 15-000-00A
24	1201	1067	600	ALPI 16-000-00A
36	1734	1600	600	ALPI 19-000-00A
36	1734	1600	800	ALPI 43-000-00A
42	2001	1867	600	ALPI 21-000-00A
42	2001	1867	800	ALPI 45-000-00A

\*1HE= 44,45mm

Other sizes available on request.



Section A-A



▶ 19" Rack cabinet ALPI Series



**Blank Door**

with handle and lock.  
Can be fitted front and back. Standard opening is on the left (as shown). The relevant kit includes grounding connection.

Material:  
Steel

Finish:  
Coating epoxy powder colour RAL 7035

HE	P/N
20	AKB0003
24	AKB0004
36	AKB0007
42	AKB0009



**Lexan Door**

with handle and lock.  
Can be fitted front and back. Standard opening is on the left (as shown). The relevant kit includes grounding connection.

Material:  
Steel + Lexan

Finish:  
Coating epoxy powder colour RAL 7035

**Glass door**

HE	P/N
20	AKB0020
24	AKB0021
36	AKB0024
42	AKB0026

▶ 19" Rack cabinet ALPI Series



**Side cover**

fixed with screws.  
The relevant kit includes screws for mouting and grounding connection.

Material:  
Steel

Finish:  
Coating epoxy powder colour RAL 7035

HE	Deep 600	Deep 800
20	AKA0020	AKA0054
24	AKA0021	AKA0055
36	AKA0024	AKA0058
42	AKA0026	AKA0060



**Back cover**

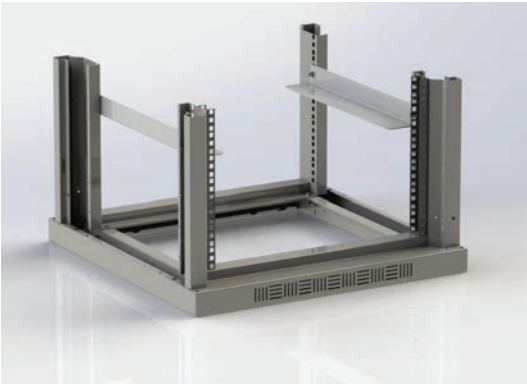
fixed with screws.  
The relevant kit includes screws for mouting and grounding connection. A removable area has been designed at the bottom and at the top to fit cables through.

Material:  
Steel

Finish:  
Coating epoxy powder colour RAL 7035

HE	P/N
20	AKC0003
24	AKC0004
36	AKC0007
42	AKC0009

## 19" Rack cabinet ALPI Series



### Fixed rails

The kit includes screws for mounting.  
Max load carrying capacity: 50kg  
(evenly distributed on the pair)

Material:  
Steel

Finish:  
Zinc plating

Deep	P/N
600	SST9600
800	SST9800



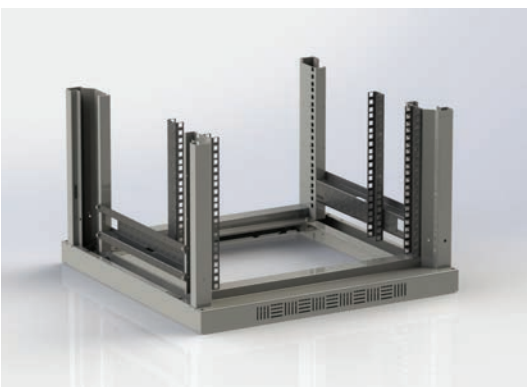
### Intermediate shelf

The kit includes screws for mounting.  
Max load carrying capacity: 50kg  
(evenly distributed on the pair)

Material:  
Steel

Finish:  
Zinc plating

Deep	P/N
600	RIP9600
800	RIP9800



### Rack mounting profile and side crosspiece

**19" rack mounting profile kit.**  
The kit includes two mounting profile  
and screws for mounting.

Material: Aluzinc

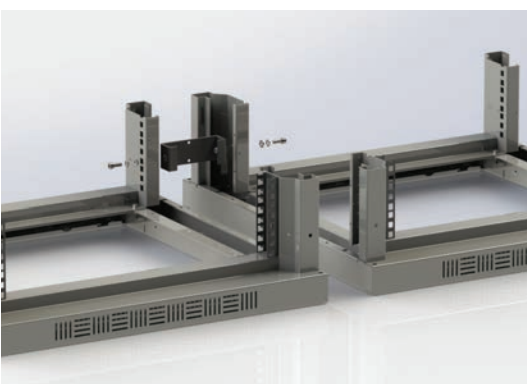
### Side crosspieces

Single piece with screws for mounting.

Material: Aluzinc

HE	P/N
20	MNT9020
24	MNT9024
36	MNT9036
42	MNT9042

Deep	P/N
600	SUI960100/00
800	SUI980100/00



### Cabinet coupling bracket

The kit includes screws for mounting.

Material: Aluzinc

**P/N: ACC9001**

## 19" Rack cabinet ALPI Series



### Blind top cover

The relevant kit includes screws for mounting.

Material:  
Steel

Finish:  
Coating epoxy powder colour RAL 7030

Deep	P/N
600	AKD0002
800	AKD0004



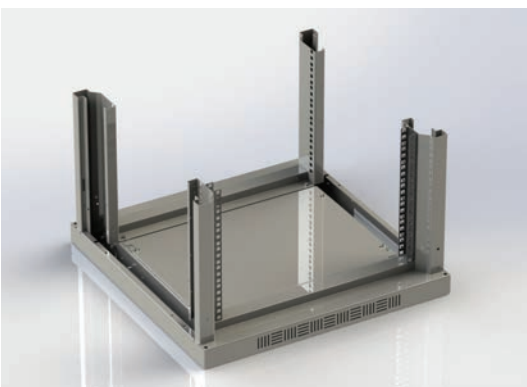
### Vented top cover

The relevant kit includes screws for mounting.

Material:  
Steel

Finish:  
Coating epoxy powder colour RAL 7030

Deep	P/N
600	AKD0011
800	AKD0013



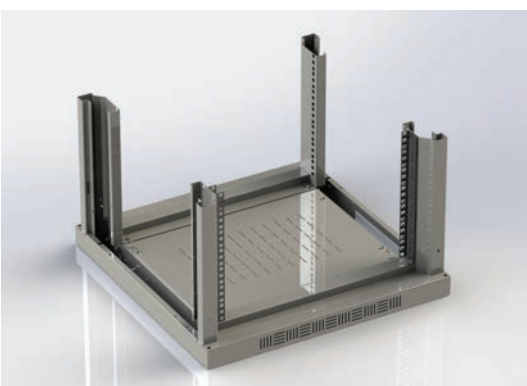
### Blind bottom cover

The relevant kit includes screws for mounting.

Material:  
Steel

Finish:  
Coating epoxy powder colour RAL 7030

Deep	P/N
600	AKE0002
800	AKE0004



### Vented bottom cover

The relevant kit includes screws for mounting.

Material:  
Steel

Finish:  
Coating epoxy powder colour RAL 7030

Deep	P/N
600	AKE0011
800	AKE0013

## 19" Rack cabinet ALPI Series



**Fastening kit**  
Sold in 100-kit packages

P/N	Description	Q.ty
406.052	Countersunk screw PH M6x16	1
210.027	Special washer	1
413.003 B	Cage nut M6 (Thick. 1,7-2,5mm)	1

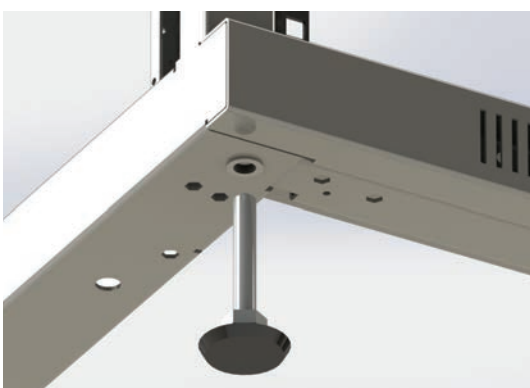
**P/N:** 081.003 B



**M10 Ringbolt**  
Single ringbolt

Standard pack of 4 pieces.

**P/N:** 483.050



**M10 Adjustable levelling foot**

The kit includes 4 adjustable levelling feet.

**P/N:** PID9001



**Crosspiece with castors**

The kit includes screws for mounting.

N°2 Swivel castors Ø50

**P/N:** AKW0004

N°2 Stop swivel castors Ø50

**P/N:** AKW0005

N°2 Swivel castors Ø80

**P/N:** AKW0006

N°2 Stop swivel castors Ø80

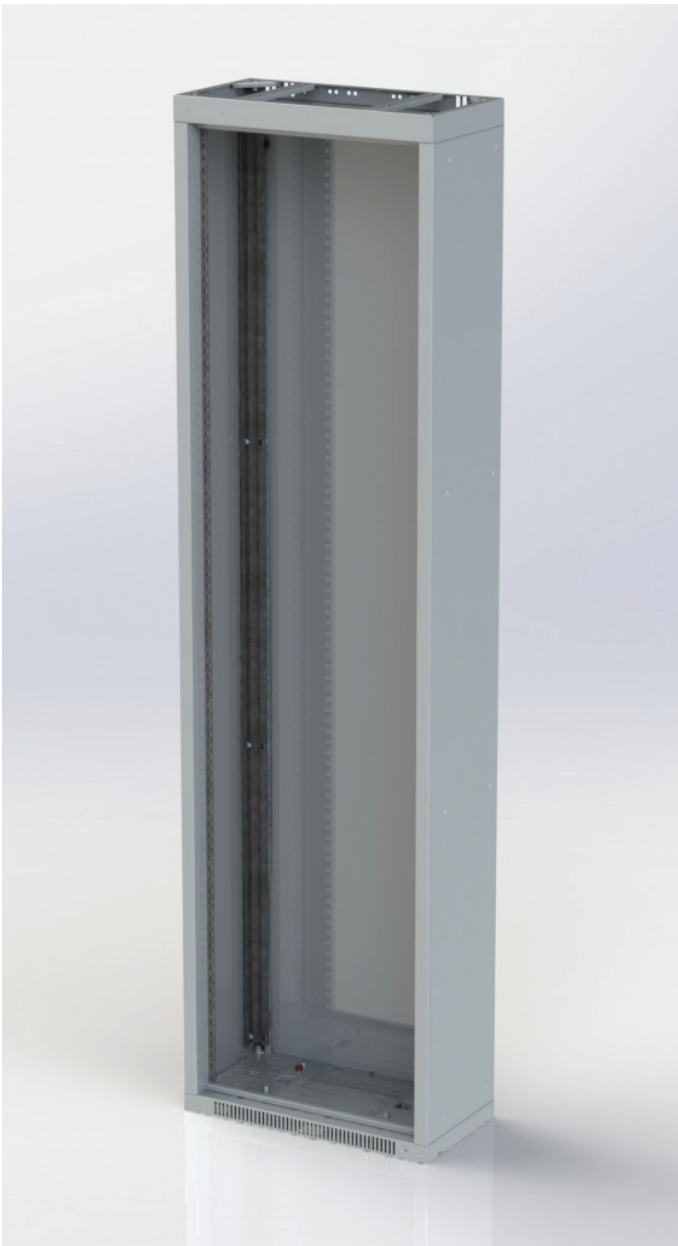
**P/N:** AKW0007

Ø50 Load-carrying capacity  
70kg each\*

Ø80 Load-carrying capacity  
100kg each\*

\* Total load-carrying capacity is the indicated load capacity multiplied by 3, as the load is never distributed evenly on each castor (see floor unevenness).

## ETSI Rack cabinet 600 X 300 X 2200



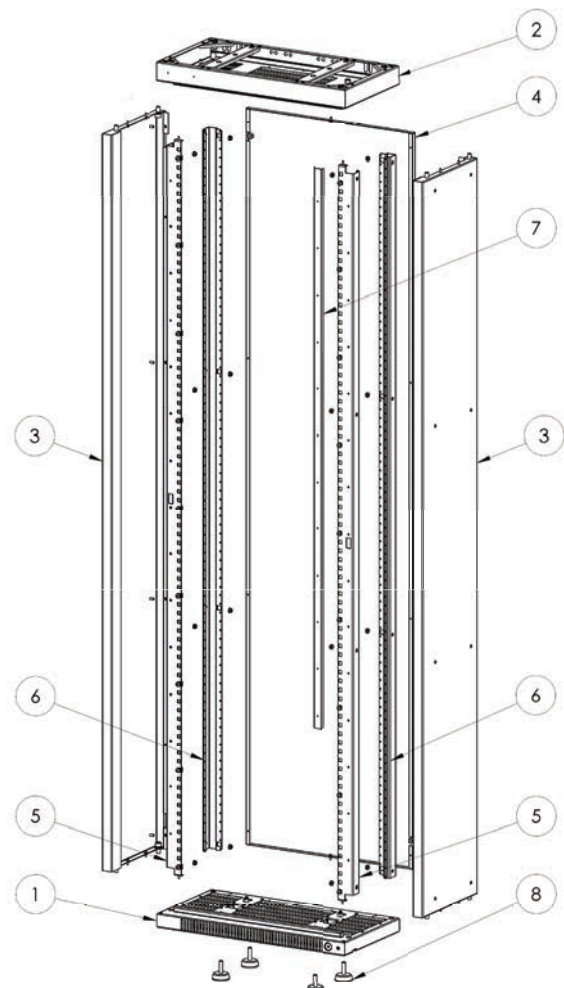
Cabinet are composed of a base, a top cover, side panels, rear cover and mounting profiles front/rear to fastem sub-racks.

All racks / cabinets are compliant with the following standards:

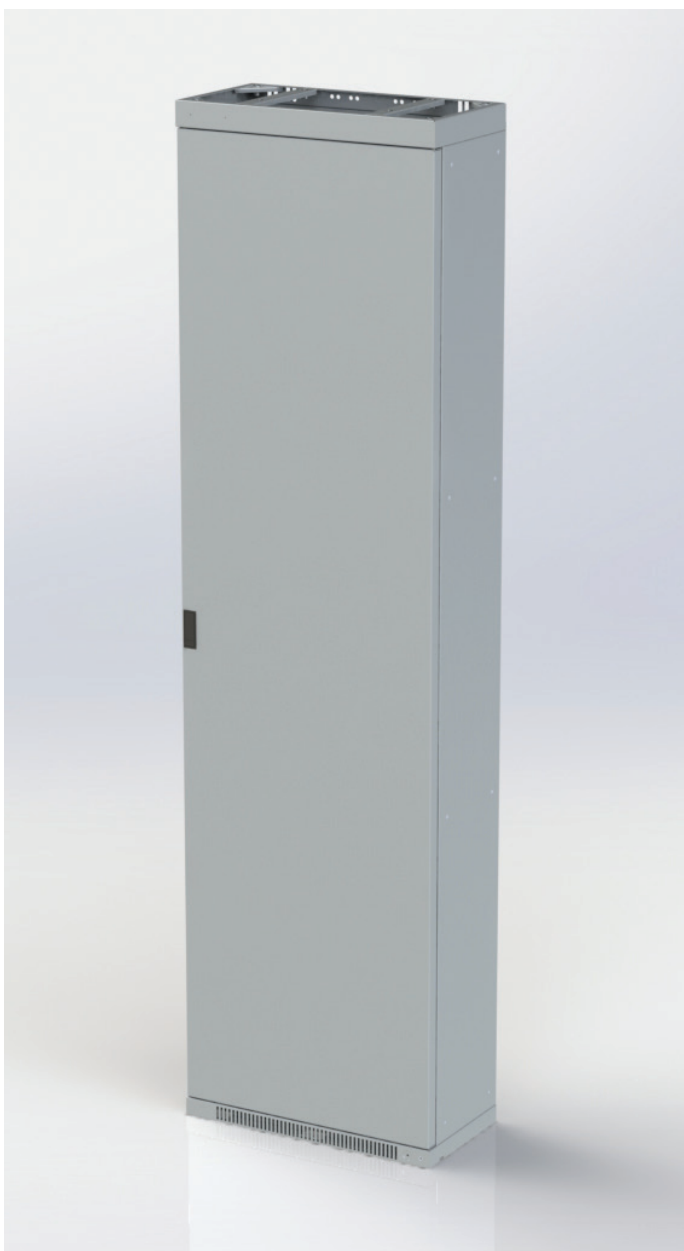
ETS 300 119 / ETS 300 019 / CEI EN 60917 / IEC 61587  
 Racks can contain Metric sub-racks ETS 300 119-4  
 An adaptor enables lodging of Rack 19" sub-racks DIN 41494 / IEC 297

Assembly		
Pos.	Description	Q.ty
1	Base	1
2	Top cover	1
3	Side panel	2
4	Rear cover	1
5	Mounting profile front	2
6	Mounting profile rear	2
7	Grounding strip	1
8	Adjustable levelling feet	4

**P/N:** 000.170/050



## ETSI Rack cabinet with door 600 X 300 X 2200



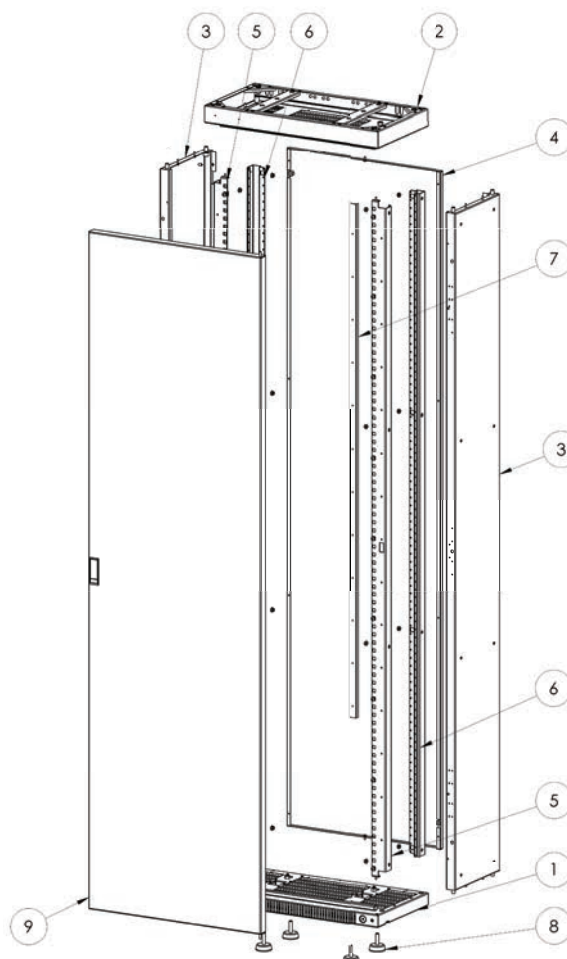
Cabinet are composed of a base, a top cover, side panels, rear cover, mounting profiles front/rear to fastem sub-racks and door.

All racks / cabinets are compliant with the following standards:

ETS 300 119 / ETS 300 019 / CEI EN 60917 / IEC 61587  
 Racks can contain Metric sub-racks ETS 300 119-4  
 An adaptor enables lodging of Rack 19" sub-racks DIN 41494 / IEC 297

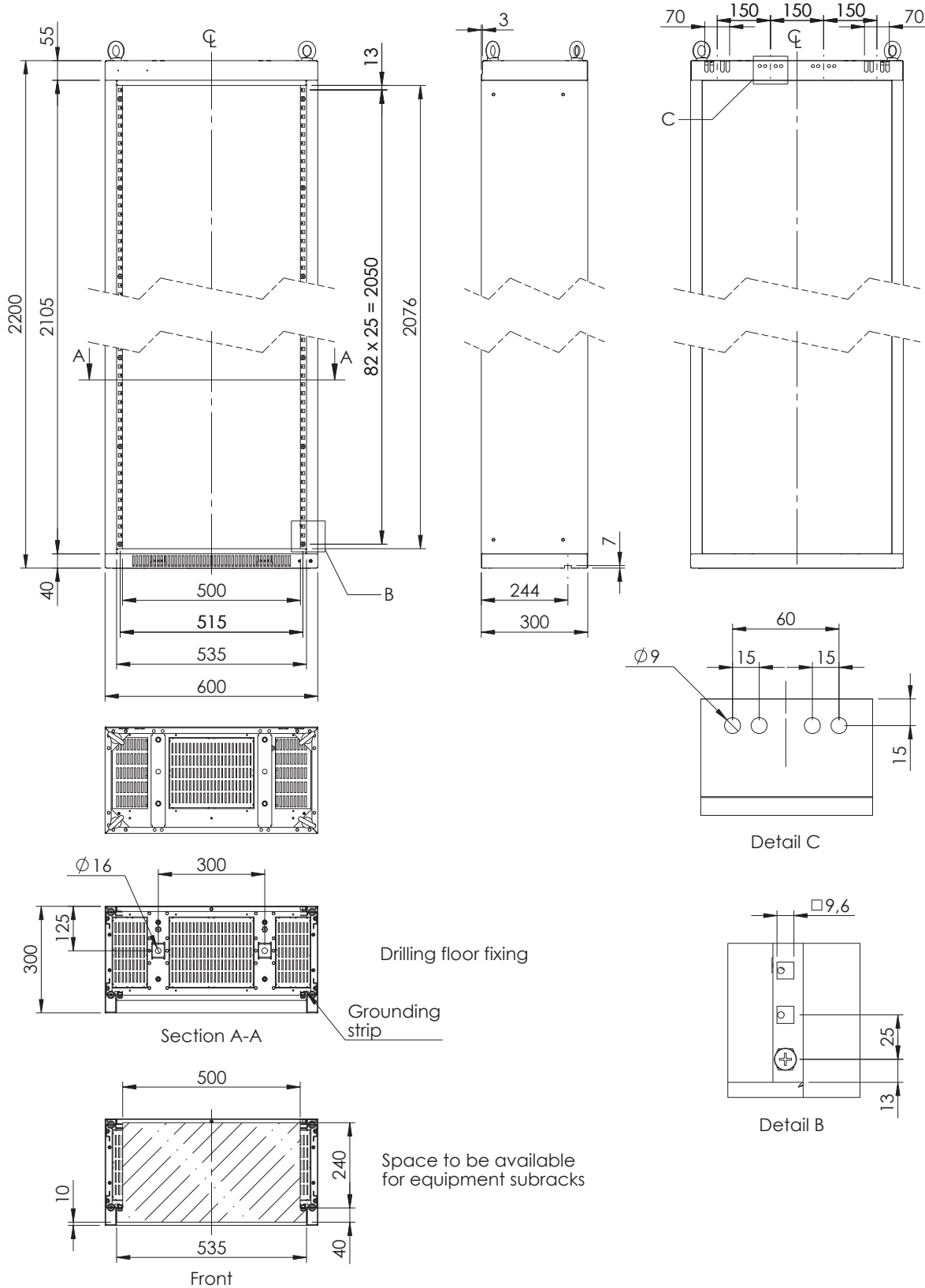
Assembly		
Pos.	Description	Q.ty
1	Base	1
2	Top cover	1
3	Side panel	2
4	Rear cover	1
5	Mounting profile front	2
6	Mounting profile rear	2
7	Grounding strip	1
8	Adjustable levelling feet	4
9	Door	1

P/N: 000.170/051

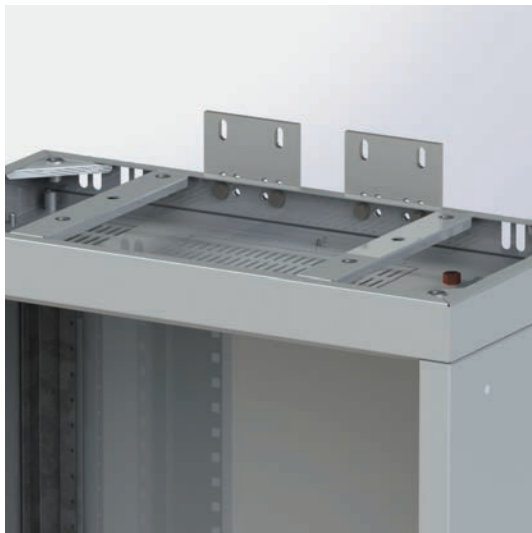


## ETSI Rack cabinet 600 X 300 X 2200

The mechanical structure is made of steel and all surfaces are treated with epoxy powder paint and have a orange peel finish; standard colour is RAL 7001.



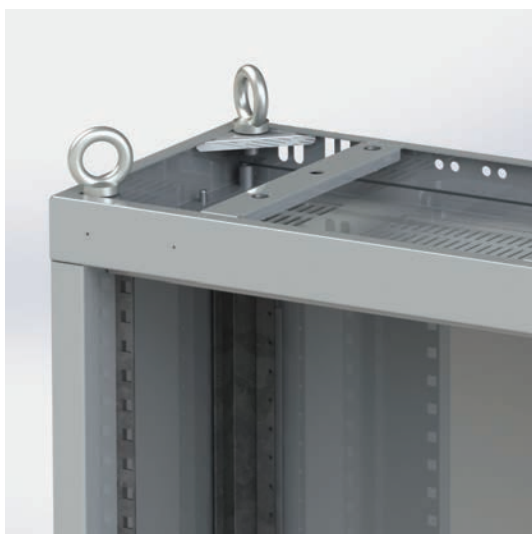
## ETSI Rack cabinet 600 X 300 X 2200



**Rack Fastening kit**

The kit includes		
P/N	Description	Q.ty
141.018	Fixing plate	2
408.160	Hexagon head screw M8x12	4
420.108	Flat washer Ø8,4	4

**P/N:** 081.082



**M10 Ringbolt**

Single ringbolt.

Standard pack of 4 pieces.

**P/N:** 483.050



**Cable guide brackets kit**

The kit includes		
P/N	Description	Q.ty
141.042/601	Bracket	8
444.022	Thread forming screw hex. head M4x10	16

**P/N:** 081.002/601

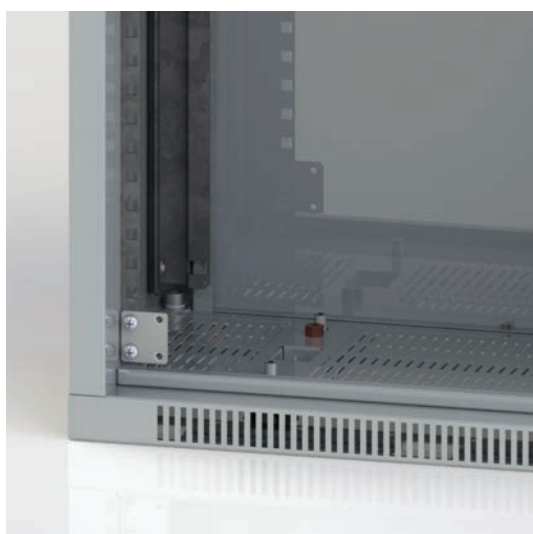
## ETSI Rack cabinet 600 X 300 X 2200



19" Rack adaptors kit

**P/N:** 081.086/146

The kit includes		
P/N	Description	Q.ty
110.272 01	19"rack upright	2
406.109	PH pan head screw M6x12	18
420.106	Flat washer Ø 6,4	18
413.003	Cage nut M6 (Thick. 1,7-2,5mm)	18



19" Rack adaptors kit

**P/N:** 081.087/001

The kit includes		
P/N	Description	Q.ty
LWA0051-00-00	19" rack adapter 1U	2
081.003 B	Fastening kit	4

# CONTENTS

## Subracks

DIN 41494 and IEC 60 297 – Compliant dimensions .....	6
Subracks CPCI 3U/6U .....	8
Subracks CPCI 3U/6U Rear I/O 160/80 .....	20
Subracks CPCI LIGHT 3U/6U.....	22
Side panels .....	26
19" Lateral brackets 3U/6U.....	36
Lateral rims 3U/6U .....	42
Crosspieces .....	45
Accessories - Crosspieces .....	49
Board guides rail .....	54
Accessories - Board guides rail .....	56
Back covers panel kit 3U/6U .....	60
Top / Bottom covers kit.....	61
Top / Bottom covers kit EMI rear I/O 160/80.....	64
Top / Bottom covers Light.....	65
Accessories - Top / Bottom.....	66
Kit 3U/6U Front covers with horizontal hinge.....	67
Kit 3U/6U Front covers with vertical hinge.....	69
Accessories - 3U/6U Front panels for horizontal hinge.....	71
3U/6U Front panels for vertical hinge.....	72
Accessories - Horizontal and vertical hinge.....	73
3U/6U Buffer blank panels.....	75
3U/6U EMI Buffer blank panels.....	76
3U/6U Blank panels for extractors.....	77
3U/6U EMI Blank panels for extractors.....	78
Accessories - Blank panels.....	79
3U 14/28TE Trays.....	86
6U 14/28TE Trays.....	88
Accessories - Trays.....	90

## Racks

19" Rack cabinet ALPI Series.....	96
Dimensions.....	97
Accessories .....	98
ETSI Rack cabinet.....	103
Dimensions .....	105
Accessories .....	106

ITALY

Via G. Bernini, 18  
20865 Usmate Velate (MB)  
Ph. +39 039 618231  
Fax +39 039 6013208  
info@ompmechtron.com

FRANCE

45, Rue De Villeneuve  
94573 Rungis Silic  
Ph. +33 (0)1 41 73 54 18  
Fax +33 1 41735425  
info@ompmechtron.com

GERMANY

Kirchenweg 41  
D-83026 Rosenheim  
Ph. +49 8031 354 228 3  
Fax +49 8031 408 788 5  
info@ompmechtron.com

CHINA

No.50 Huancheng Rd (N),Shanghai Fengpu Industrial Park,  
Fengxian District, 201400  
Shanghai - China  
Ph. +86 21 37565597  
Fax +86 21 37565593  
info.cn@ompmechtron.com

MEXICO

Paseo del Norte #4495-C  
Guadalajara Technology Park  
Zapopan Jalisco, 45010- Mexico  
Ph. + 52 33 13 68 04 69  
info.mex@ompmechtron.com

USA

645 Russell Street - Batesburg-Leesville  
South Carolina 29006 - USA  
Ph. +1 803 307 0068  
Fax +1 803 307 0061  
info.usa@ompmechtron.com



via Bernini, 18 - 20865 - Usmate Velate (MB) - Italy  
ph. +39 039 618231 - fax +39 039 6013208  
info@ompmechtron.com - www.ompmechtron.com